

Micro-**VIEW**LOCK II

VIDEO ENCRYPTION SYSTEM

- Ultra-compact line cut and rotate encoder or decoder.
- Fully Viewlock II video encryption compatible.
- Optimised for use with microwave video surveillance links.
- Ideal for battery operation: DC powered with low current drain (7 to 32 V DC, 45 mA at 12 V).
- Supplied as housed unit or PCB for simple installation into other video equipment.



*M*icro-Viewlock II is an ultra-compact version of [Viewlock II](#), the leading video encryption system for securing law enforcement microwave video surveillance links from interception.

micro-Viewlock II consists of a package of only 67 x 32 x 10 mm (or a PCB of 50 x 30 mm). It has been designed for highly covert applications, such as body-worn video surveillance, or for integration within other video transmission equipment.

Even though it is such a small package, micro-Viewlock II retains all the key features that have made the standard system so successful. These include dynamic line cut and rotate video scrambling and outstanding in-service characteristics such as fast lock-in time and excellent resilience to multi-path and noise interference. It is even possible to download secondary keys, together with other configuration data, via the system's serial data port adapter.

Micro-Viewlock II ensures that even the most covert of surveillance links can now be securely encrypted.

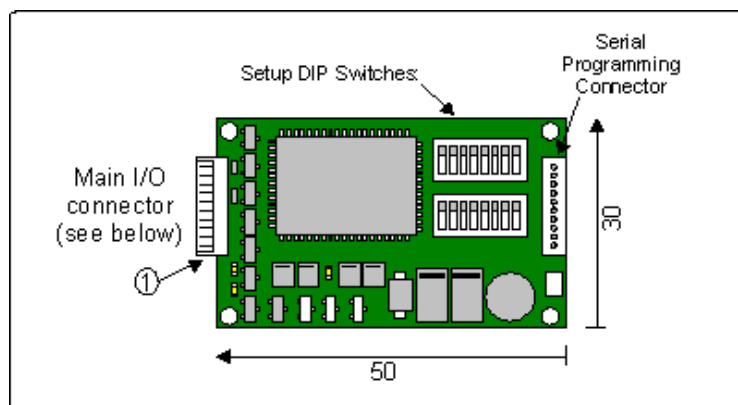
Viewlock II / micro-Viewlock II Comparison

Even though size has been dramatically reduced, micro Viewlock II is fully compatible with the standard Viewlock II system. It is even possible to mix and match encoders and decoders of either type. All the main features and functions of the standard Viewlock II are retained with the following main differences:

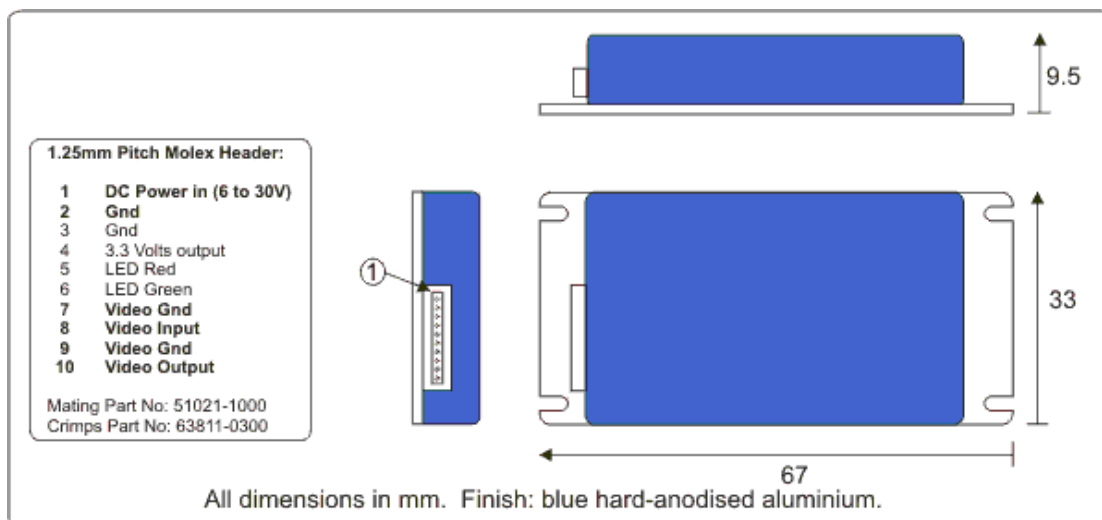
- No Audiolock II audio scrambling upgrade option.
- Molex edge connector rather than BNC / Lemo connectors.
- No video loop through on power down.
- Power consumption reduced to 45 mA at 12 V DC (standard 55 mA)
- Non-watertight enclosures.
- Static parallel data port is not available.

micro-Viewlock II Dimensions and Interfaces:

micro-Viewlock II has been designed to be as small and as low power as possible especially for covert and body-worn applications. The system is available as housed units or as PCBs, ideal for integration with other video link equipment.



micro-Viewlock II PCB.



micro-Viewlock II housed unit.

Specification

Outline Specifications:

Mechanical size	Housed: 9.5 x 33 x 67 mm PCB: 8 x 30 x 50 mm
Operating temperature range	-10 to + 55 deg C
Weight	Housed 25g (approx)
DC power requirement	7 to 32 V DC at <0.55 Watts (e.g. < 45 mA at 12 V)
DC / Power / Video connector	10 way 1.25 mm Molex 90' header. Mating part No: 50121-1000 Crimps Part No: 63811-0300

Video:

Scrambling method	Active line cut & rotate
Number of cut points	256
Video standards	PAL & NTSC 525 & 625 lines (auto switching)
Video input / output	1 Vpp 75R
Digital sampling	8 bits
Signal to noise	> 55 dB weighted (> 60dB typ)
Differential gain	< ± 4 %
Luminance non-linearity	< ± 4 %
Differential phase	< ± 5 deg
Lock-in time	< 0.25 sec (typical)
Audio scrambling	Not Supported

Due to continual product development Ovation Systems reserve the right to change specifications without notice. E&OE.