

micro-Gemini-2

the **easier** way to add an extra camera

micro-Gemini-2 is the simplest way to add an extra camera to ultra-covert surveillance links and retains all the key features of the standard Gemini range including full colour operation, fast update rate, on-screen display and by-pass on power-down.

- **Easier way to add an extra camera to video surveillance links**
- **Small size means it can be concealed for ultra-covert installations**
- **Low power consumption (typically 130mA at 12V)**
- **Gives fast update rate of 25/30 fields per channel**
- **Operates with Gemini-2 and Gemini-4 decoders**
- **Compatible with real-time video links including most COFDM digital links**

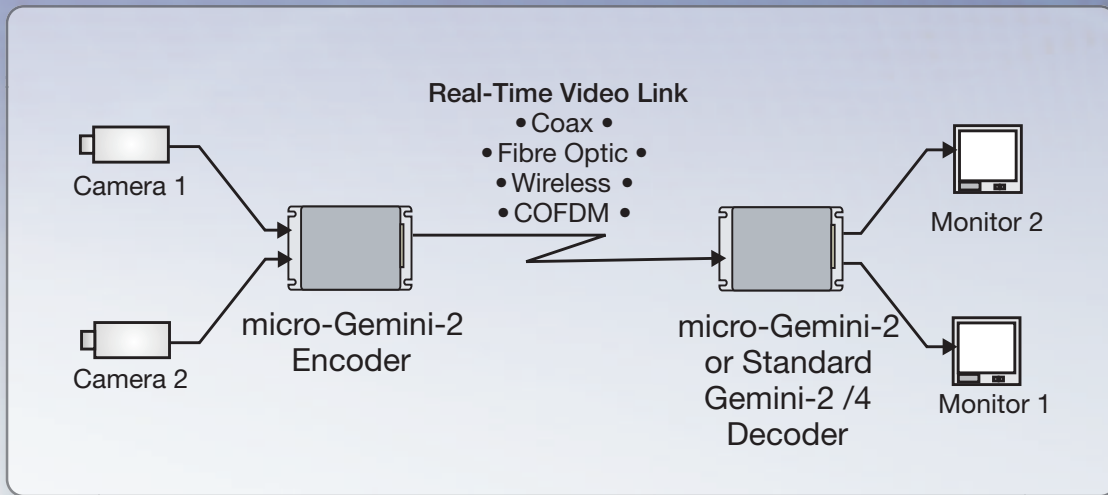
micro-Gemini-2 is a miniature video link expander that is easy to conceal when carrying out highly covert surveillance. This unique device is simple to operate and install and offers more discretion when size, weight and low power consumption are prime considerations.

The micro-Gemini-2 encoder combines two independent video inputs together to give a single field-multiplexed output, which is compatible with most real-time video links, including coax, fibre optic, analogue wireless and even some digital wireless links. At the receive site, the signal is decoded back onto two separate outputs by a micro-Gemini-2 or Standard Gemini-2/4 Decoder.

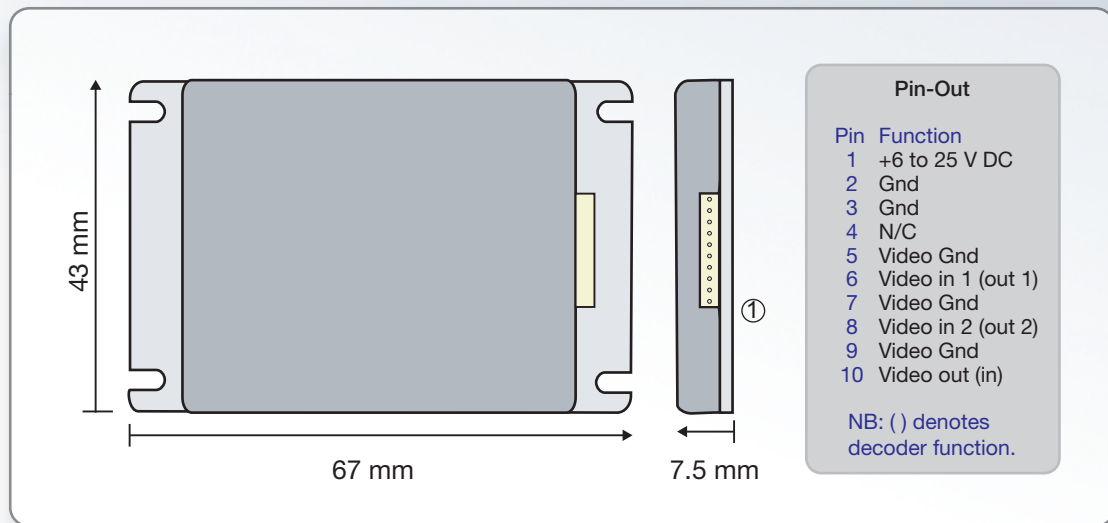


end and side views - actual size





Typical Application Diagram



micro-Gemini-2 Dimensions & Interfaces

Outline Specification

General:		Video:	
Operating temperature range	-10 to +55°C	Number of channels	Encoder: 2 in, 1 out Decoder: 1 in, 2 out
Mechanical size (housed)	67 x 43 x 7.5 mm	Multiplex method	Field sequential, no gen-lock required
Finish	Black hard-anodised aluminum	Video standards supported	PAL & NTSC (auto switching)
Weight (housed)	35 g	Video input / output	1 Vpp into 75R, ±10%
DC power	6 to 25 V DC	Picture update-rate	25 (PAL) or 30 (NTSC) fields per second per camera
Typical current consumption	<1.6 W, 130mA@12V typ.	Maximum delay (video in to out)	60 mS
Compatibility	Gemini-2 or Gemini-4	Synchronisation line	PAL:21/334 PAL, NTSC:21/284 or active lines 24/337, 22/285
On-screen display	Camera number / status dot	Operation with one valid input	Non-multiplexed
Lock-in time	< 1 second		
I/O connector	10 way 1.25 mm SIL Molex		
EMC compliance	EN5502 class A EN50082-1 FCC part 15B class A		

Please note, Ovation Systems reserves the right to change specifications without notice. E&OE.

