

OCTAVO

Multichannel audio-over-video

- **Allows a standard video link to carry eight channels of high quality digital audio.**
- **High quality 16 bit audio.**
- **Secure digital audio encryption.**
- **Optimised for use with analogue video surveillance links.**
- **DC powered, small, rugged units - ideal for covert installations.**

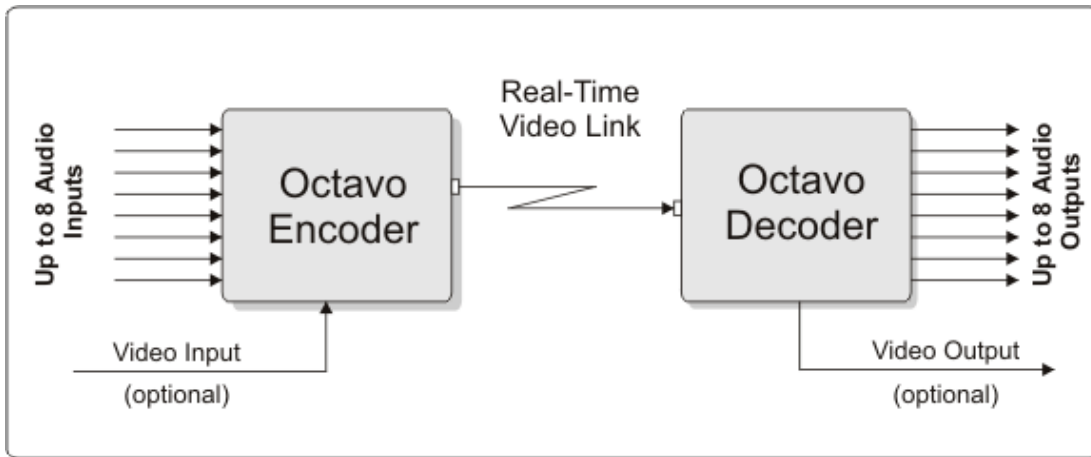


The Octavo audio over video system is a simple and cost-effective way to upgrade traditional analogue video surveillance links to carry up to eight channels of secure, very high quality digital audio in place of video.

The Octavo audio over video system operates by digitising the audio inputs and embedding them as data within an internally generated video signal. Advanced data encryption techniques are employed to ensure that the eight channels of super hi-fi audio are securely transmitted.

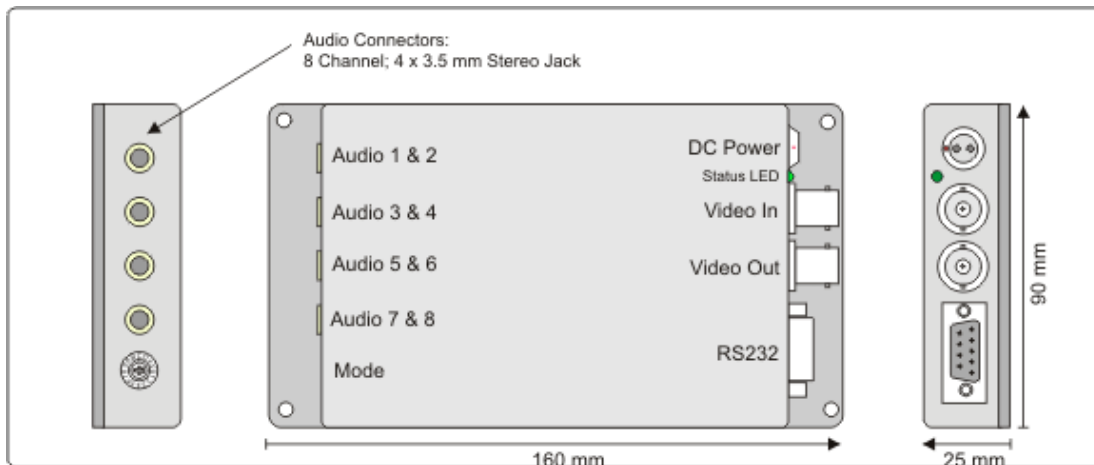
A video input is not required for system operation, however, when power is removed the encoder will pass video applied to the video input and can therefore be used as a remote video/audio switch. Octavo is compatible with any real-time analogue video link, whether coax, fibre-optic or wireless, outperforming conventional audio sub-carriers in terms of quality, capacity, signal to noise and range.

System Operation:



Octavo has been designed with covert installation in mind, consisting of small and rugged DC powered units that are simple to setup and install. The Octavo audio over video system has four stereo audio ports and a video input and output. When the encoder is powered, the eight audio signals will appear at the video output embedded in an internally generated video signal. This output can be transmitted securely over a standard analogue link in place of video.

A video input is not required for system operation, however when power is removed a video signal applied at the video input will pass to the video output. When the decoder is powered and connected to the video receiver, Octavo automatically detects whether audio or video is being received and configures itself accordingly.



Specifications:

Outline specification:

Mechanical size	160 x 90 x 25 mm
Operating temperature range	-10 to + 55deg C
Finish	Black hard anodised aluminium
Weight	440g (approx).
DC power connector	2 pin Lemo
DC power requirement	7 to 32 V DC at ~ 1.5 Watts (e.g. ~ 125 mA at 12 V DC).
Standard accessories	User guide, power leads, carry case.

Audio:

Number of channels	8
Input / output connector	4 x 3.5 mm stereo jack
Nominal level	0 dBU (2.2 V peak to peak)
Max level	+ 5 dBU (4 V peak to peak)
Input impedance	> 10 kR
Output impedance	< 100 R
Digitising	16 bit linear
Signal to noise ratio	> 60 dB (weighted)

Due to continual product development Ovation Systems reserve the right to change specifications without notice. E&OE.