

## Micro-**VIEW/AUDIO**LOCK

Video & Audio Encryption System

- Ultra-compact video & audio encryption system to secure covert video surveillance links.
- Fully View/AudioLock II video encryption compatible.
- Optimised for use with microwave video surveillance links.
- Ideal for battery operation: DC powered with low current drain (7 to 32 V DC, <55 mA at 12 V).
- Supplied as housed unit or PCB for simple installation within video surveillance systems.



micro-View/Audiolock II is an ultra-compact version of View/Audiolock II, the leading video & audio encryption system for securing law enforcement microwave video surveillance links from interception.

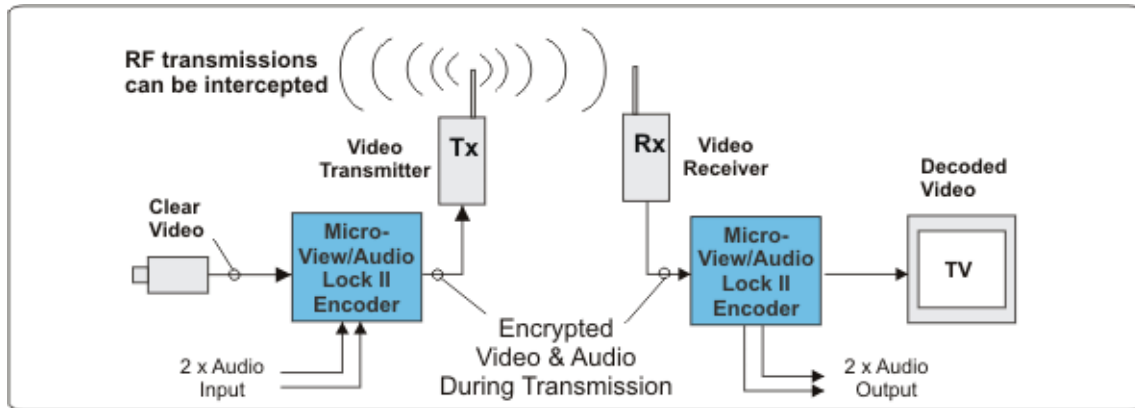
micro-View/Audiolock II consists of a package of only 67 x 54 x 9.5 mm (or a PCB of 50 x 40 mm). It has been designed for highly covert applications, such as body-worn video surveillance, or for integration within video transmission equipment.

Even though it is such a small package, micro-View/Audiolock II retains all the key features that have made the standard system so successful. These include digital audio encryption, via embedded data within the video, coupled with dynamic line cut and rotate video scrambling. micro-View/Audiolock II is fully compatible with the standard View/Audiolock II units and may be used interchangeably. It is even possible to download secondary keys, together with other configuration data, via the system's serial port.

micro-View/Audiolock II ensures that even the most covert of surveillance links are safe and sound.

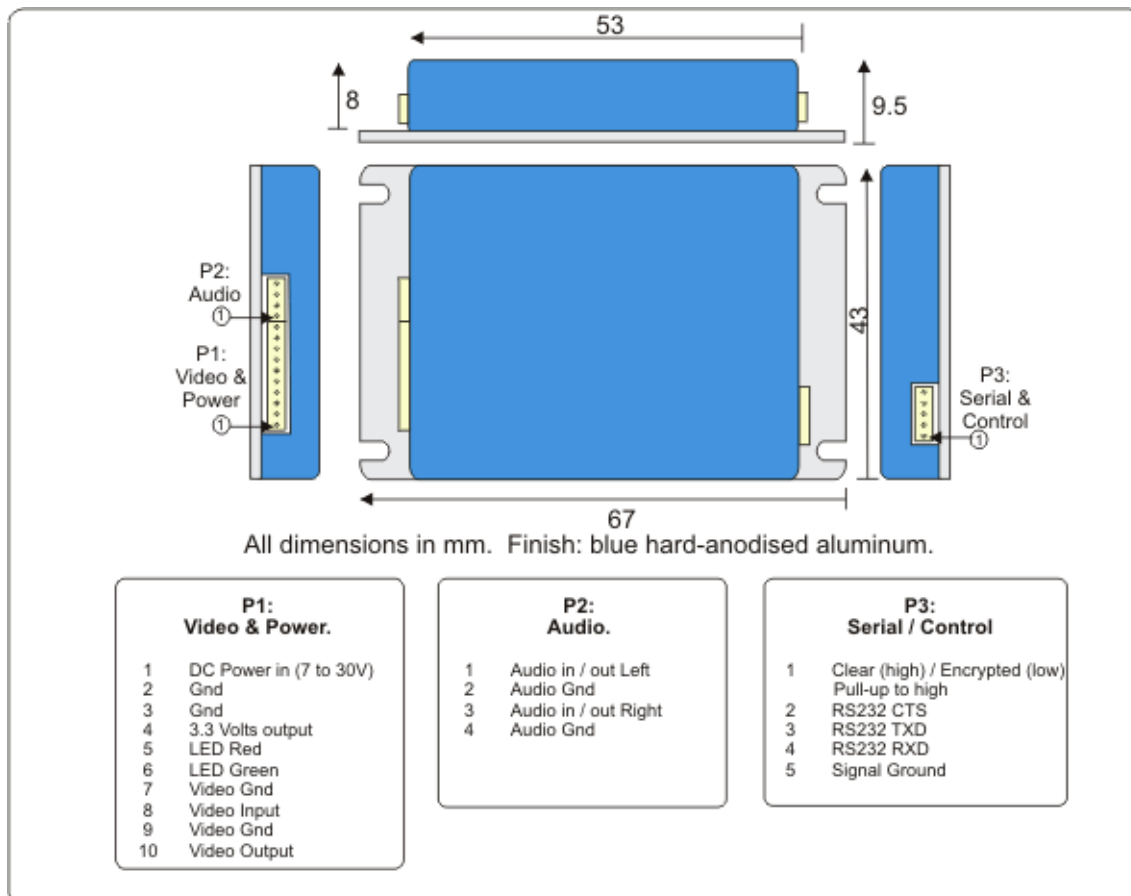
### Encryption Systems Diagram

---



Typical System Diagram

### Dimensions and Interfaces:



### Encryption Specifications:

#### Outline Specifications:

Mechanical size (inc connectors)

Finish	Hard anodised blue aluminium
Weight	30g (approx).
DC power requirement	7 to 32 V DC at < 0.7 Watts (e.g. < 55 mA at 12 V).
Standard accessories	User guide, DC power lead.
Control Port	RS232 (Protocol on request)
<b>Video:</b>	
Video standards supported	PAL or NTSC (auto switching)
Video input / output levels	1 Vpp 75 ohm.
Lock-in time	< 0.5 Sec.
Scrambling method	Line cut & rotate (256 cut points)
Encryption	Viewlock II compatible.
Signal to noise	>55 dB (weighted)
<b>Audio:</b>	
Number of channels	0,1,2 (DIP selectable)
Scrambling method	Digital audio sent as embedded data.
Audio I/O level (max)	3 V pp
Audio input impedance	> 10 k R
Audio output impedance	< 100R
Audio bandwidth (mono)	30 Hz to 14 kHz (+1, -3dB)
Audio bandwidth (stereo)	30 Hz to 7 kHz (+1, -3dB)
Audio compression	ADPCM

Due to continual product development Ovation Systems reserve the right to change specifications without notice. E&OE.