



FlashBack-2 Motion Detector

- Motion detector module with user selectable zones
- Easily installed inline with Ovation Systems FlashBack or FlashBack-2 covert DVR
- Advance motion detection analysis modes resulting in fewer false alarms
- Optional internal 7.5 second video and audio memory buffer offering pre-event recording
- PAL and NTSC compatible (auto-switching)
- 6-15 V DC powered with low current consumption
- Rugged milled aluminium



FlashBack-2

FlashBack-2 Motion Detector

FlashBack-2 Compatible Video Motion Detector with Optional Pre-event Video & Audio Memory Buffer

FlashBack-2 motion detector module is designed to provide a rugged, easily installed motion detector capability for the FlashBack-2 range of covert MPEG-2 video recorders.

The module features advanced scene and motion vector analysis, together with user selectable zones, providing highly reliable motion detection. The module is easy to configure via 6 control buttons and an interactive onscreen display.

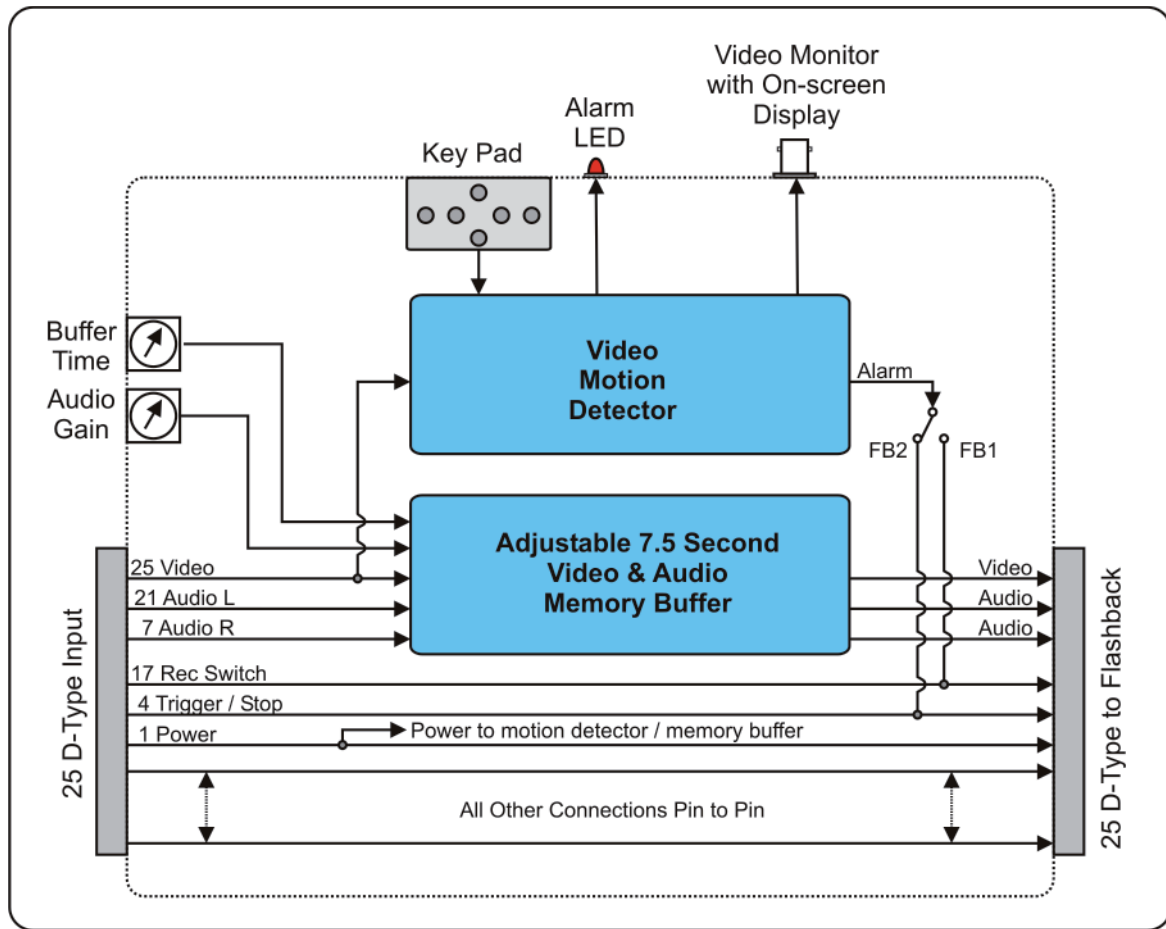
With standard motion detectors, the delay in detecting motion and then starting a video recorder can be a major problem. The FlashBack-2 Motion Detector Module solves this issue by an internal 7.5 second video and audio memory buffer. When motion is detected, the memory buffer contains several seconds of video before the event, which is then available for recording. The memory buffer time is adjustable so the start of each recording can be at the alarm point, or a few seconds before the event.

The module is housed in a tough milled aluminium enclosure with a rugged hard anodised finish. The unit has two FlashBack compatible 25 way D-Type connectors, so it can be easily installed without any wiring changes.



FlashBack-2 Motion Detector showing set up buttons and switches





Motion Detector Module Block Diagram

Provisional Specification

General:

Operating temperature range	0 to +45°C. (target: -10 to + 60°C as an option)
Mechanical size (housed)	125 x 76 x 17 mm (target)
Finish	Hard anodised aluminium.
Weight	TBA
Operating voltage range	6 to 15 V DC
Power consumption	< 1.5 Watts (target)
Current consumption at 12 V	< 125 mA (target)
Input / output connectors	1 x 25 way D-Type socket 1 x way D-Type socket plug (To FlashBack pin out) SMB for video monitor

Motion Detector:

Video standards supported	PAL & NTSC
Detection sectors	920
Detection zones	1 to 920 sectors (multiple zones)
Detection modes	8
Direction detection	none / up / down / left / right

Video & Audio Buffer:

Buffer time	7.5 seconds adjustable in < 1 second steps.
Audio gain	mic to line level (adjustable)