

ELMO

TNC4614DN

High-Resolution Day & Night DSP Color Camera

The CCD Revolution
EXview HAD CCD™ Sensor



(with an optional lens)

Color CCD camera with Day & Night function with EXview HAD CCD™ technology which includes high sensitivity, higher S/N, less smear and near IR sensitivity.

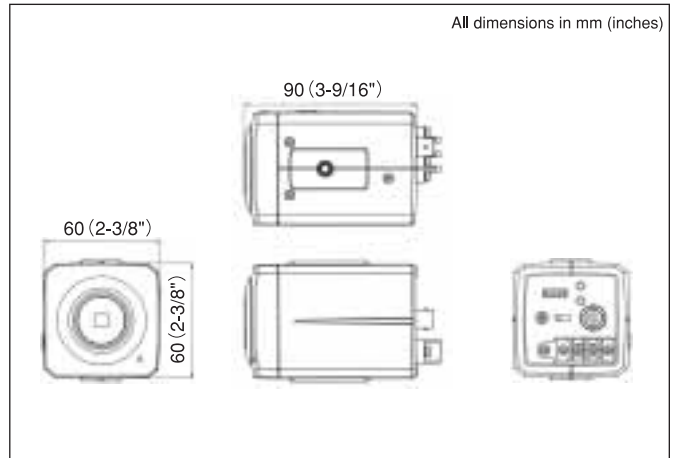
- Equipped with the most advanced EXview HAD CCD sensor
- Color in day, black and white in night for advanced visual versatility
- 480TVL horizontal resolution
- 0.1 lx min. sensitivity
- Versatile power requirements 24VAC/12VDC
- Built-in isolation for sophisticated system integration
- AES, BLC, Selectable WB for all type of tough requirements
- Supports DC & Video driven auto-iris lenses
- Easy back focus adjustment. Simple focus wheel with minimum effort
- Digital recorder ready
- Compact body design (2.36×2.36×3.54")

ELMO

Visualizing technology since 1921

High-Resolution Day & Night DSP Color Camera **TNC4614DN**

PROFILE



SPECIFICATIONS

Pick-up Device	1/3" Color interline transfer EXview HAD CCD
Effective Picture Element	768 (H) × 494 (V)
Scanning Area	4.88mm (H) × 3.66mm (V)
TV System	NTSC compatible
Scanning System	2:1 interlaced
Scanning Frequency	LL:15.75kHz (H) , 60Hz (V) INT:15.734kHz (H) , 59.95Hz (V)
Synchronization	Line-lock/Internal
Resolution	480TV lines (H) , 350TV lines (V)
S/N Ratio	50dB
Minimum Illumination	0.1 lx (F1.2)
Automatic Gain Control (AGC)	Built-in
Day/Night Mode Change	With ON-OFF switch
White Balance	ATW/Manual/Preset
Electronic Shutter	AES (1/60~1/100,000sec.)
Backlight Compensation	With ON-OFF switch
Video Out	VBS 1.0Vp-p 75Ω, BNC connector
Auto Iris Lens Compatibility	Selectable DC or Video
Lens Mount	CS (C with optional 5mm ring)
Power Source	AC24V / DC12V
Power Consumption	Approx. 4.5W
Ambient Temperature	-10° ~ +50°C (14° ~ 122°F)
Ambient Humidity	Less than 90%
Dimensions (W×H×D)	60×60×90mm (2-3/8×2-3/8×3-9/16")
Weight	300g (0.66lbs)

NOTE: • Design and specifications are subject to change without prior notice.
 • Dimensions and weight are approximate.
 • EXview HAD CCD is a registered trademark of Sony Corporation.

ELMO ELMO CO., LTD.

Additional technical information is available from any of the following subsidiary companies;