

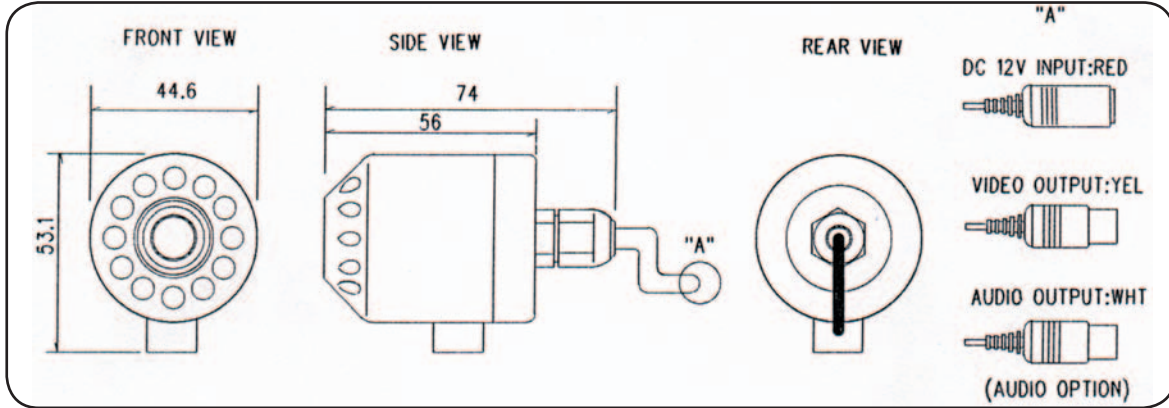
**Colour & B/W IR LED CAMERA
MODEL PRO - 102R with Audio**

IR LIGHT (colour & b/w)



Features

- Extremely Low Power Consumption
- B/W CCD 1/3" Format
- Low Illumination
- Maintenance Free
- High Quality Image
- Compact and Light Weight
- High Resolution
- Built in Electronic Auto Iris
- Built in Back Light Compensation
- Internal Synchronization
- IR LED



Specification

Model No.	PRO-1002R(colour)	PRO-102R(b/w)
Image Pick-up Device	1/4" CCD Area Sensor	1/3" CCD Area Sensor
TV System	NTSC, PAL	EIA, CCIR
No. of Pixels	NTSC = 510 (H) * 492 (V) PAL = 500 (H) * 582 (V)	EIA = 510 (H) * 492 (V) CCIR = 500 (H) * 582 (V)
Scanning System	2:1 Interlace	2:1 Interlace
Sync System	Internal Sync	Internal Sync
Resolution	330 TV Line	380 TV Line
Minimum Illumination	0.0 Lux	0.0 Lux
S/N Ratio	More Than 46dB	More Than 46dB
Gamma Characteristic	0.45	0.45 (Gamma : 1 Option)
Video Output	1.0 Vp-p 75 ohm	1.0 Vp-p 75 ohm
Electronic Shutter Time	NTSC = 1/60 - 1/100,000 Sec PAL = 1/50 - 1/100,000 Sec	EIA = 1/60 - 1/100,000 Sec CCIR = 1/50 - 1/100,000 Sec
Power Supply	DC 12V	DC 12V
Power Consumption	250 mA (TYPICAL)	200 mA (TYPICAL)
Lens	3.6 mm 92 Deg F 2.0	3.6 mm 92 Deg F 2.0
Operational Temp.	-10 Deg - +50 Deg C RH95% MAX	-10 Deg - +50 Deg C RH95% MAX
Storage Temp.	-20 Deg - +60 Deg C RH95% MAX	-20 Deg - +60 Deg C RH95% MAX
Dimensions	44.6 mm(W) * 53.1 mm(H) * 74 mm(D)	44.6 mm(W) * 53.1 mm(H) * 74 mm(D)
Weight	Approx.. 210 Grs	Approx.. 210 Grs
Audio S/N Ratio	More than 35dB	More than 35dB
Audio Output Level	1Vp-p / 600 ohm	1Vp-p / 600 ohm
Audio Frequency Range	20 Hz to 20 KHz	20 Hz to 20 KHz



BOCK OPTRONICS INC.
 14 Steinway Blvd., Unit 7
 Toronto, Ontario M9W 6M6, Canada
 Tel: 416-674-2804 Fax: (416) 674-1827

Quebec & Eastern Canada
 Tel: 450-662-9889
 Fax: 450-662-9063

Website: www.bockoptronics.ca
E-mail: sales@bockoptronics.ca