

CNB-AN800 Series

The CNB-AN800 series are ultra-compact, full featured cameras designed for security and industrial applications. Incorporating a wide and rich set of functions, the CNB-AN800 series are virtually self contained sensor, detection and alarm devices all rolled into one.

The 1/4" Sony Super-HAD CCD offers excellent resolution and detail. The CNB-AN800 series are also capable of being used as a colour camera during daytime use and automatically switching into B&W mode for night time requirements. The B&W mode increases the sensitivity of the camera including to infrared illumination. The CNB-AN800IR series include a built-in CDS light sensor and infrared LEDs for short range illumination in total darkness.

The built-in auto focus zoom lens eliminates the need for large, bulky devices which are often more expensive. The clarity of the 26x optical zoom provides a wide range of views and amazing detail at high magnifications. The quick and accurate auto focus function eliminates the need for manual controllers.

Incorporated into each camera is a multi-region video motion detection function that provides an alarm output signal for use with recorders and other peripheral devices. This feature and every other are easily configured through the on-screen display and push button controls on the back of the camera or through the optional handheld wired controllers.

The CNB-AN800 series cameras are available for use with the wired remote controllers, RS-232 or RS-422/485 devices.

Features

- Sony high sensitivity 1/4" super-HAD CCD
- Built-in auto focus, auto iris lens
- Powered 26x optical zoom lens
- 10x Digital zoom (260x total zoom)
- Day/night functionality
- On screen display
- Integrated video motion detection
- Ultra compact size

CNB-AN800IR Features

- 7x Built-in LED illuminators
- 1x CDS sensor

CNB-AN801/AN801IR Features

- RS-232 control

CNB-AN802/AN802IR Features

- RS-422/485 control

CNB-AN800/AN801/AN802



CNB-AN800IR/AN801IR/AN802IR



Accessories

- Clam-shell controller w/ 1.5m cable
- Clam-shell controller w/35m cable



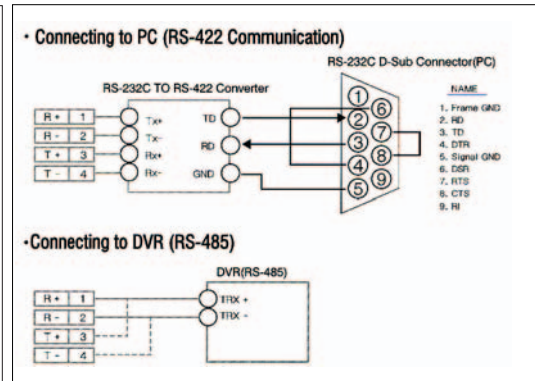
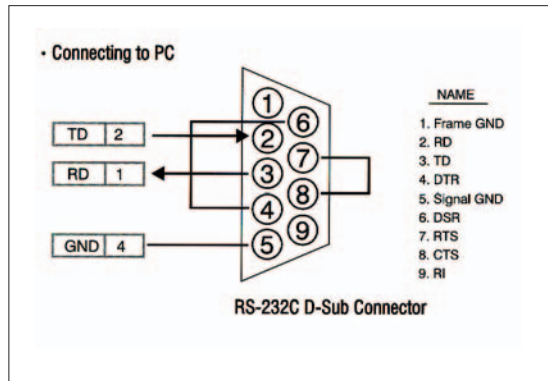
Rear View



Wire
Controller

Specification

Model	CNB-AN800IR	CNB-AP801IR	CNB-AP802IR	CNB-AN800	CNB-AP801	CNB-AP802
Signal System	NTSC : 525 Lines					
Scanning System	2:1 Interlace					
Scanning Frequency(H)	15.734 KHz					
Scanning Frequency(V)	59.94 Hz					
Image Sensor	1/4 Inch Interline Transfer Super HAD CCD					
Total Pixels Number	811(H) x 508 (V) 410K					
Effective Pixels Number	768(H) x 494 (V) 380K					
S/N Ratio	More Than 48dB (AGC Off)					
Resolution	Horizontal : 480 TV Lines					
Video Output Level	1.0 Vp-p (75 Ohms, Composite)					
Lens	26x Optical Zoom (F1.6, f=3.5~91.0mm) Video AF					
Digital Zoom Ratio	10x (Total Zoom Ratio : 260x), 2x ~ 10x Variable					
Zoom Speed(Optical)	4.0 Sec					
Min. Shooting Distance	1 cm (Wide) / 1 meter (Tele)					
Min. Illumination	0.00 Lux (IR LED On)			0.1 Lux (Day&Night On)		
Camera Control	Rear Button, 1.5m/35m Wire Remote Controller(Optional)					
OSD (On Screen Display)	On / Off					
Day&Night(ICR)	Auto/ Day / Night					
Color / Black&White	On / Off					
Focus Mode	Auto / Manual					
IR LED and CDS Sensor	LED x 7@ >500nm		CDS x 1		n/a	
Shutter Speed(8 Steps)	1/60 ~ 1/10,000 Sec.					
Input / Output Connector	Control, Power : 6 Pin circle connector / Video Output : BNC					
Remote Control	N/A	RS-232 control	RS-422/485 control	N/A	RS-232 control	RS-422/485 control
Supplied Voltage	DC 9V ~ 15V (Recommendation DC12 \pm 0.5V)					
Power Consumption	Max. 4.2W / 350mA					
Dimensions (WxHxD)	50.5 x 61.1 x 92.25 mm					
Weight	Approx. 300g					



BOCK OPTRONICS INC.
 14 Steinway Blvd., Unit 7
 Toronto, Ontario M9W 6M6, Canada
 Tel: 416-674-2804 Fax: (416) 674-1827

Quebec & Eastern Canada
 Tel: 450-662-9889
 Fax: 450-662-9063

Website: www.bockoptronics.ca
 E-mail: sales@bockoptronics.ca