



- Unit comprehensive of housing, P&T head and telemetry receiver
- No rotating cables, continuous rotation
- IP 66
- Variable speed: 0,1°-100°/s Pan and 0,1°-40°/s Tilt
- PC or OSM configuration
- Multiprotocol
- Load rating: max 20 kg

ULISSE has been specifically created for applications of video surveillance in external environments.

This new positioning system integrates a high performance P&T head with a camera housing and a telemetry receiver, reducing the need of several harnesses and obtaining a particularly elegant installation. The unit guarantees an optimal camera positioning in outdoor installations.

The rotation on the horizontal axis is continuous with a variable speed up to 100°/s while the amplitude on the vertical axis varies from -90° to +40° with a max. speed of 40°/s.

ULISSE controls the functions of autopan, patrol and pattern with a tracking accuracy of 0,02° on preset positions recalling. Preset positioning and different areas can be labelled with a max 20 characters string. Patrol and pattern sequences can also be mixed with different speed settings customising a perfect track. 4 local alarm inputs and two relay outputs allow an intelligent local action (a scan on a specific preset, a patrol or pattern sequence) or simply the switching-on of two IR lights.

The reliable and sturdy top-mount construction allows the installation of two big infrared illuminators.

With the option of incremental encoders, absolute accuracy and real time feedback on real position of ULISSE are guaranteed.

Available with two different size enclosures, ULISSE fits most of the combinations of cameras/lenses. Both enclosures are standard equipped with thermostated heater and sunshield.

Within the standard enclosure a built-in wiper option is available, while on the bigger the wiper is external. In both cases, the wiper does not interfere with the viewing range of the installed camera.

Further to OSM set-up, the system is equipped with an RS232 interface for a possible PC enhanced configuration and offers the possibility to update to the last firmware version.

The positioning control system is controlled through coaxial or a RS485/RS422. In this last case the signal can be transmitted in an active way for cascade configuration of several ULISSE units.

In addition to the standard Videotec proprietary communication protocol, others are already embedded.

ULISSE's installation is easy and it is designed for a low maintainance, thanks to the set-up data-set in flash memory and to the accurate mechanical construction.

The positioning unit can be used in several kind of installations, like: coast, borders patrol and harbour control, urban, highways and traffic monitoring, stadiums and industry, prisons and military applications, perimeter surveillance.

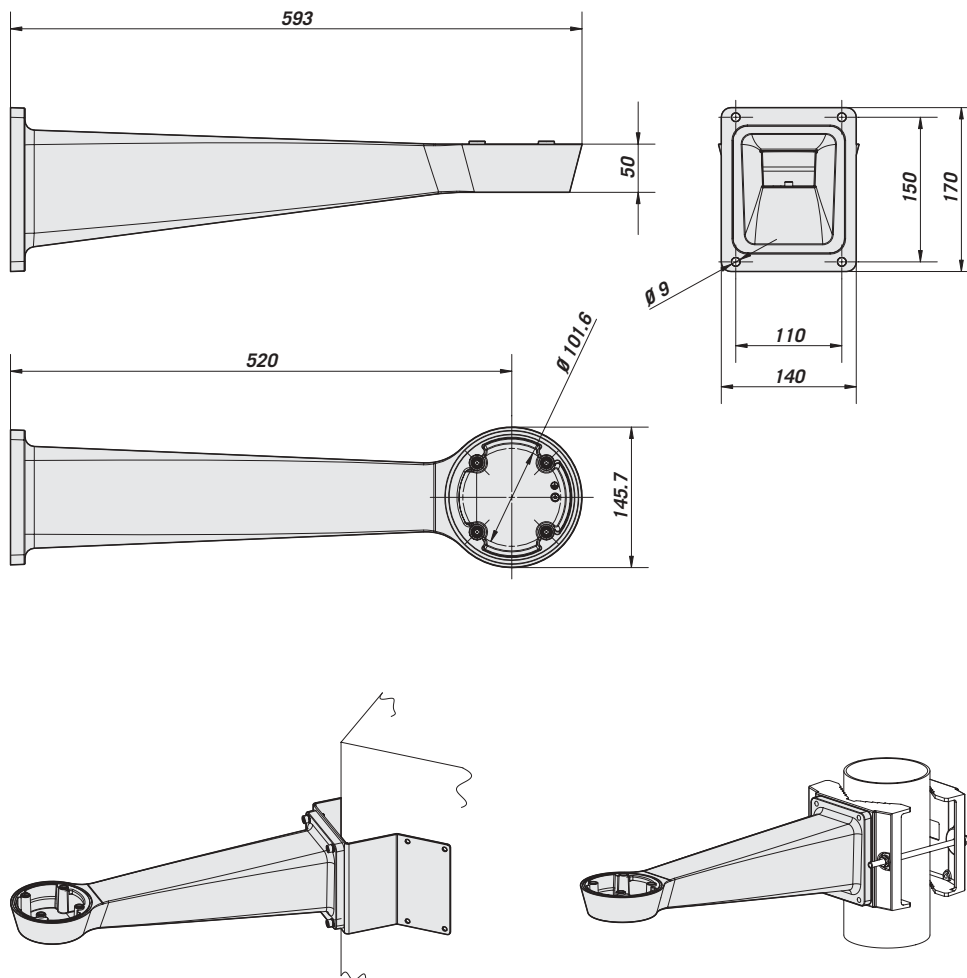




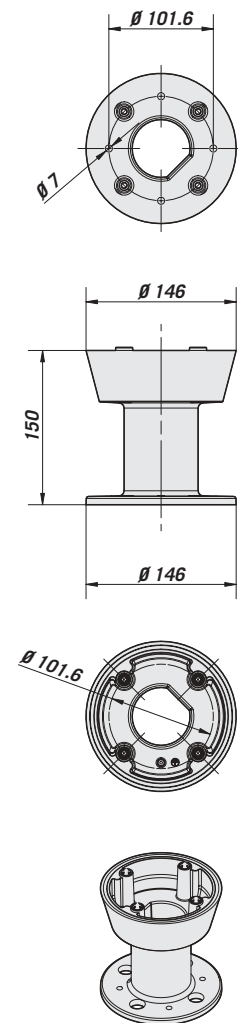
## MODELS

	Standard housing	Large housing	Power supply 230VAC	Power supply 24VAC	Built-in wiper
UPT1SVSA000	•		•		
UPT2SVSA000	•			•	
UPT1SVWA000	•		•		•
UPT2SVWA000	•			•	•
UPT1SGSA000		•	•		
UPT2SGSA000		•		•	

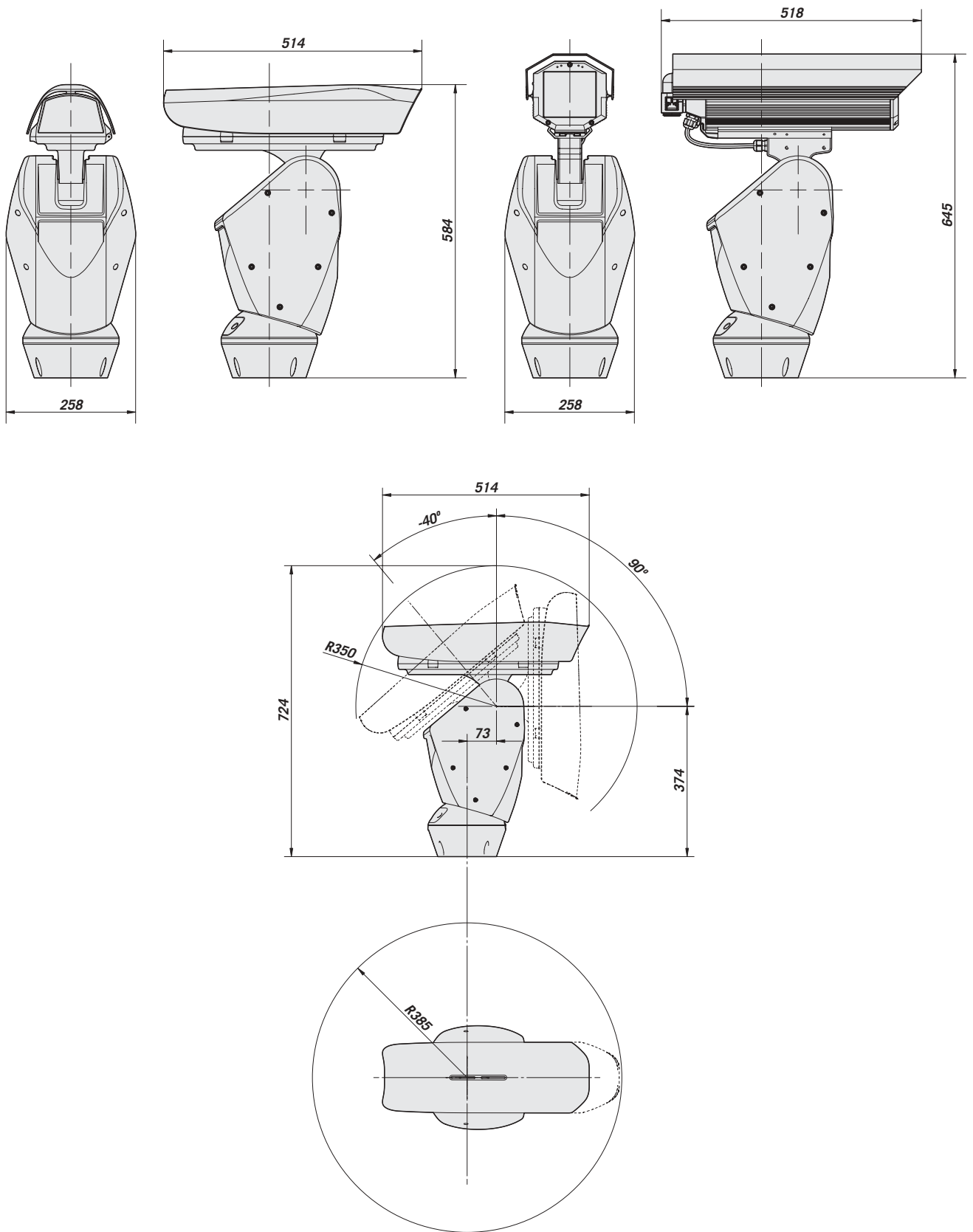
## UPTWBA



## UPTWBTA



The values are in millimeters.



The values are in millimeters.





- Unit comprehensive of Sony camera in outdoor enclosure, P&T head and telemetry receiver
- 26x optical zoom capability
- Dynamic video masking of different areas
- Smart lens control
- High-Performance Digital Signal Processing (DSP)
- Auto ICR (IR cut-filter removal)



ULISSE integrates a high performance P&T head with a day/night Sony camera in an outdoor housing and a telemetry receiver\*, reducing the need of several harnesses and combining superb picture quality and high-performances positioning for demanding security and monitoring applications.

The Sony block camera combines a new incredibly high 26x optical zoom and Auto ICR capability with a 1/4 type EXView HAD CCD for high sensitivity in low light environments. The camera features a wide field of view of 54° and a 2,2° telephoto capability.

When used in combination with its 12x digital zoom, the total zoom capability is up to 312x. Users can zoom in on small or distant objects with exceptional clarity.

Thanks to the ULISSE's integrated block camera, the dynamic video masking of different areas is possible. Either with engagement of zoom or P&T, the size or the position of the masked areas will adjust proportionally. This is an important feature when ULISSE is used in wide-areas monitoring applications.

An easy set-up on screen of a maximum of 24 masking areas to any of 160 horizontal and 120 vertical masking blocks, and up to eight block positions with two colours can be selected together.

The camera incorporate a smart lens control technology that monitors lens focus position during zooming and automatically compensate for mechanical misalignments which may occur over long periods of continuous usage.

For optimised sensitivity in both day and night-time shooting applications, the camera incorporates an Auto ICR function, being effective in a variety of lighting conditions. With a set level of darkness, the IR Cut filter is automatically disabled (ICR ON) and the infrared sensitivity is increased. With a set level of brightness, the filter is automatically enabled (ICR OFF).

\*: for full specs on the positioning unit please check ULISSE positioning unit data sheet



MODELS					
	PAL camera	NTSC camera	Power supply 230VAC	Power supply 24VAC	Built-in wiper
UPT1PVSA000	•		•		
UPT2PVSA000	•			•	
UPT1PVWA000	•		•		•
UPT2PVWA000	•			•	•
UPT1NVSA000		•	•		
UPT2NVSA000		•		•	
UPT1NVWA000		•	•		•
UPT2NVWA000		•		•	•

**TECHNICAL DATA**

**GENERAL**

- Same features of ULISSE positioning unit
- High performance digital signal processing (DSP)
- 26x optical zoom capability
- Enhanced spherical Privacy zone masking
- Smart Lens Control
- Auto ICR mode

**INTEGRATED CAMERA**

- Image Sensor : 1/4 type EXview HAD CCD
- Number of Effective Pixels : Approx. 440,000 pixels
- Min. Illumination : 1.0 lx (typical) (F1.6, 50 IRE)
- S/N Ratio : More than 50 dB
- Electronic Shutter : 1/1 to 1/10,000 Sec 22 steps
- AE Control : Auto, Manual, Priority mode, Bright, EV compensation, Backlight compensation
- Back Light Compensation : On/Off
- Upgraded 3-D "Spherical Privacy Zone Masking
- Privacy Zone Masking : On/Off (24 positions)
- 8 Maximum number of masking blocks to be displayed
- Resolution of masking blocks: 160x120 HxV
- Max 14 colours to be preset for masking
- Max 2 colours to be displayed for masking
- 6 gradations selectable for gray scale masking

- Focusing System: Auto ( Sensitivity: Normal, Low), One-Push AF, Manual, Zoom Trigger AF
- Video Output : VBS: 1.0Vp-p (sync negative)

*Sony is a registered trademark of Sony Corporation, Japan. EXview HAD is a registered trademark of Sony Corporation*

**LENS**

- New "Smart" Lens Control (Sony Modular Automatic Lens Reset Technology)
- High Telephoto Zoom and Wide Horizontal Field of View Capability
- Lens : 26x Optical Zoom, f=3.5 (wide) to 91.0 mm (tele), F1.6 to F3.8
- Digital Zoom: 12x (312x with optical zoom)
- Angle of View (H) : 55 degree (wide end) to 2.3 degree (tele end)
- Min. Object Distance : 320mm (wide end) to 1500mm (tele end)
- Power consumption: 6 to 12VDC/1.6W (motors inactive), 3.3W (motors active)

**RELATED PRODUCTS**

**Keyboards:**

- DCT and DCJ

**ENVIRONMENT**

- Indoor/outdoor
- Operating temperature. -20°C up to + 40°C (-4°F up to 104°F)

