

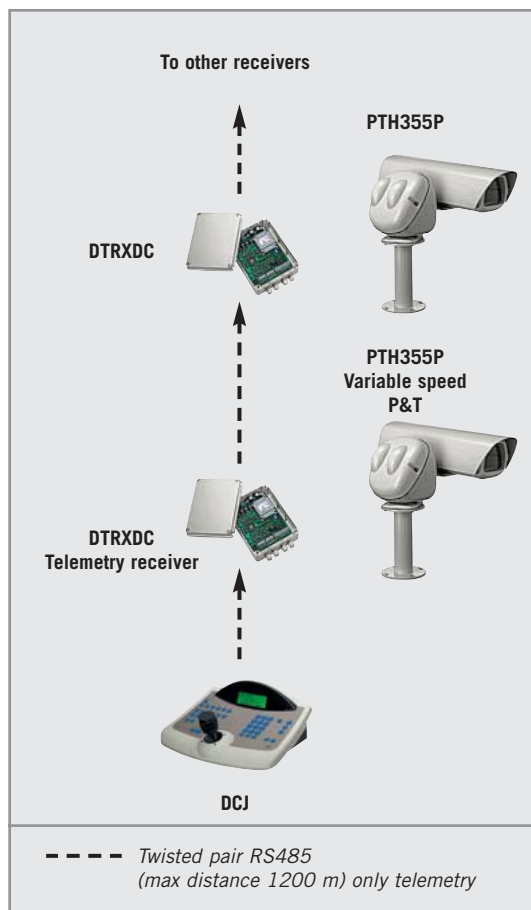
PTH355P VARIABLE SPEED PAN & TILT



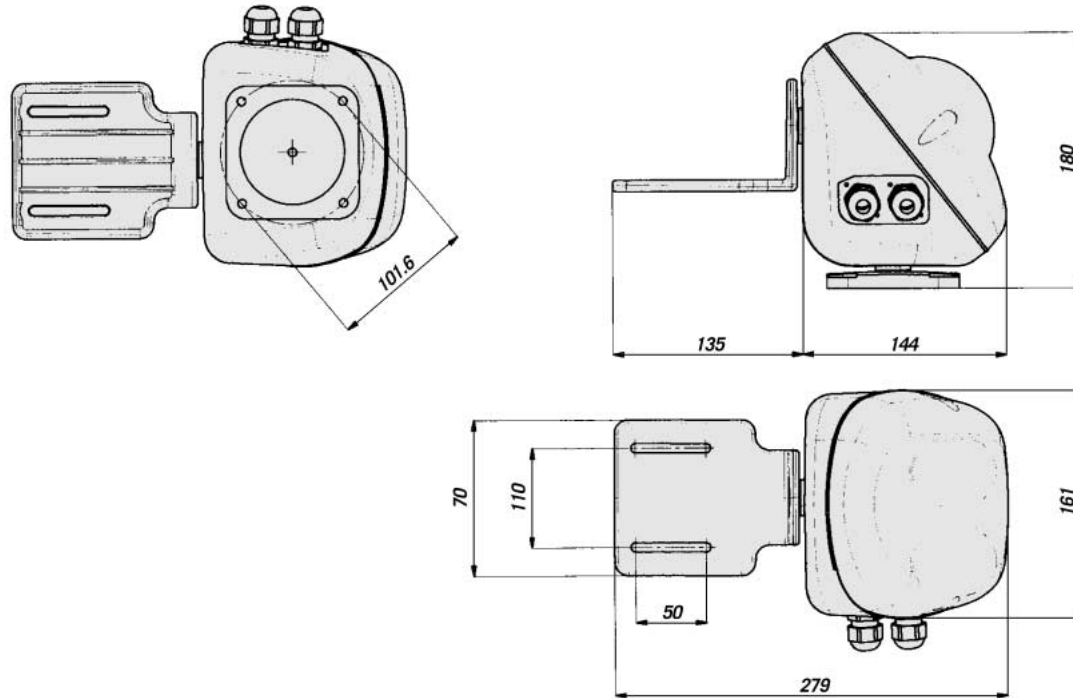
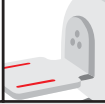
- Outdoor/indoor installation
- Die-cast aluminium painted with epoxy powder
- 12 kg load rating
- Variable speed
- Weatherproof standard IP66



The PTH355P Pan & Tilt motor is suitable for medium duty outdoor installations with loads up to 12kg balanced. It is made of die-cast aluminium construction protected by epoxy polyester painting RAL9002. They allow a maximum horizontal speed of 30°/s, a maximum vertical speed of 18°/s and an horizontal rotation of 345°, vertical 360°. The PTH355P version is available in 24VAC. It is possible to utilize the preset functions by the telemetry systems and the PTH355P can be easily controlled through DCJ or DCT keyboards and the specific telemetry receiver DTRXDC.



MODELS			
	POWER SUPPLY	AUTOPAN	PRESET
PTH355P	24VDC		•



The values are in millimeters.

TECHNICAL DATA

GENERAL

- Constructed of corrosion-proof die-cast aluminium
- RAL9002 epoxy polyester powder painted
- Stainless steel screws
- Mounting position normal/reverse
- Supplied with: side bracket for camera, bolts and screws, instruction manual

MECHANICAL

- Dimensions: 160x142x180 mm (6.2x5.5x7 in)
- Maximum load: 12 kg (26 lb) (balanced)
- 0-345° horizontal plane movement
- Horizontal speed from 0 up to 30°/s
- 0-360° vertical plane movement
- Vertical speed from 0 up to 18°/s
- Pan Torque: 6Nm
- Tilt Torque: 6Nm
- Backlash: Pan 0,16°, Tilt 0,15°
- Internally adjustable horizontal limit switches
- Internally adjustable vertical limit switches
- 2 PG11 cable glands

ELECTRICAL

- Power supply 24VDC
- Horizontal motor consumption 11W
- Vertical motor consumption 11W
- Standard Preset
- Potentiometer Linear 5Kohm Multiturns (10 turns)
- Max distance to receiver DTRXDC 15 m or 5 m with preset

RELATED PRODUCTS

Supports:

- PTAC Wall mount
- PTDC Ceiling mount
- PTPC Top pole mount
- WFWBTA Parapet mount

Housings:

Series HEA, HEM, HEK, HEB, HEP, VERSO and VERSO COMPACT

Telemetry receivers:

- DTRXDC Telemetry receiver 13 functions, with preset card

ENVIRONMENT

- Indoor/outdoor
- Operating Temperature: -20°C up to + 50°C (-4°F up to 122°F)
- Resistant to the salt-air fog until 1000 hours (according to ISO9227)

COMPLIANCE TO

- CE according to EN 61000-6-3, EN 50130-4
- IP66 according to EN 60529

SPARE PARTS LIST

- OPH3MAN Maintenance kit



Unit Weight (kg / lb):
PTH355P: 3,5 / 7,7

Package Weight (kg / lb):
PTH355P: 3,9 / 8,5

Package Dimensions (cm / in):
PTH355P: 17,5x27x22,5 / 6.8x10.6x8.8

Master Carton (units):
PTH355P: 6