

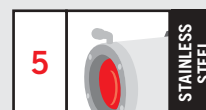


NXMK



NXMK + VIPNX

- For special installations
- AISI 316 stainless steel construction
- For highly aggressive environments
- Weatherproof standard IP68



The NXM housing, entirely made of AISI 316 stainless steel, is designed to operate in special environments such as marine, industrial, chemical and where the external agents are highly corrosive.

The NXM housing consists of a 130 mm diameter cylindrical body enclosed by two 12 mm thick circular flanges. The back flange is equipped with two PG13,5 cable glands for the external connections. The NXM can be equipped with an ONXAB flange designed to create an air barrier in front of the glass to prevent the

formation of dust deposits. With the air barrier, the NXFIGRU filter group is recommended, which purifies the air drawn by a compressor.

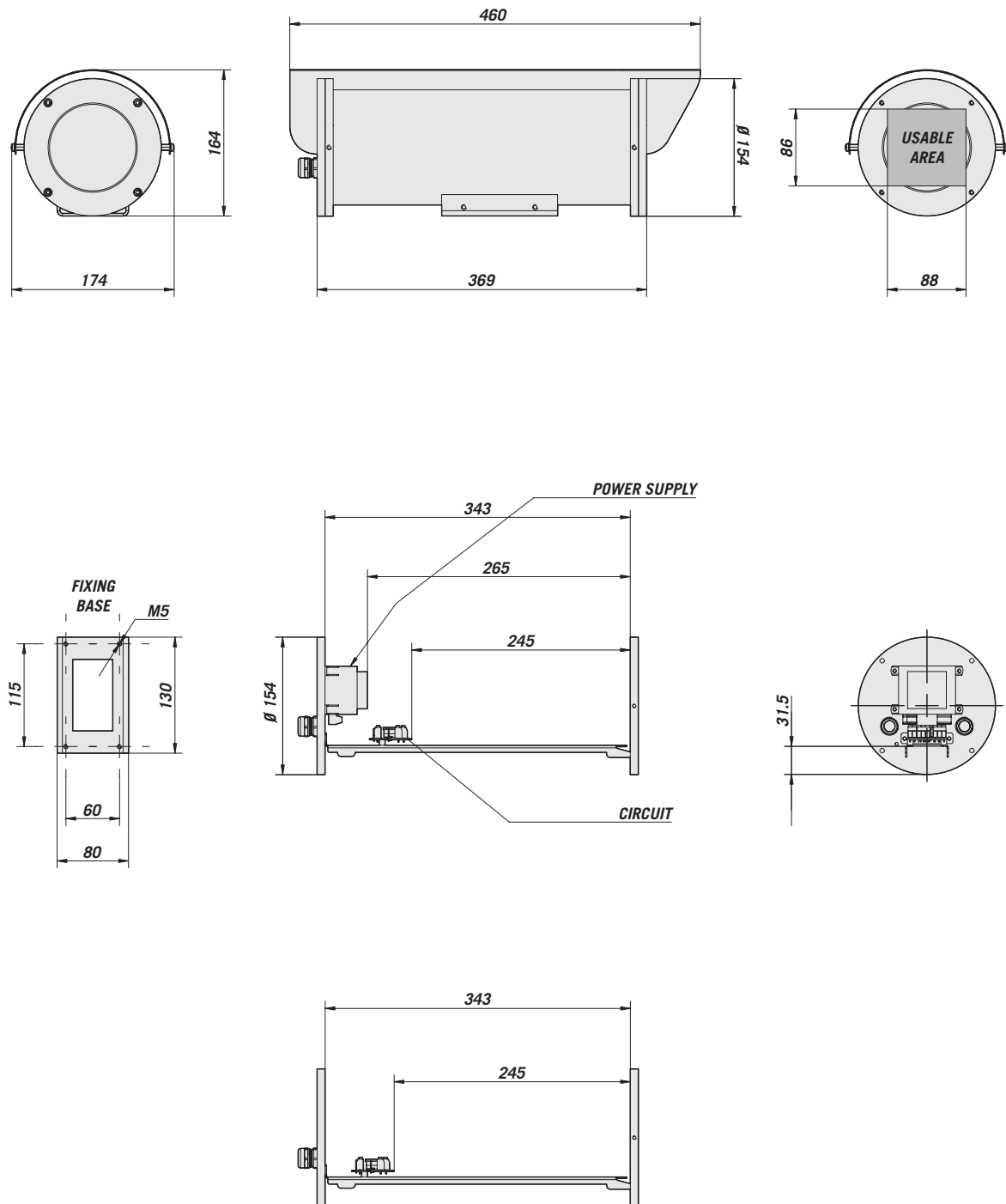
A wide range of accessories is available, including heater, camera power supply, NXWBS stainless steel special bracket and possibility of mounting the VIPNX wiper and washer.

The housing can be equipped with a double heater for temperatures below -20°C (-4°F).

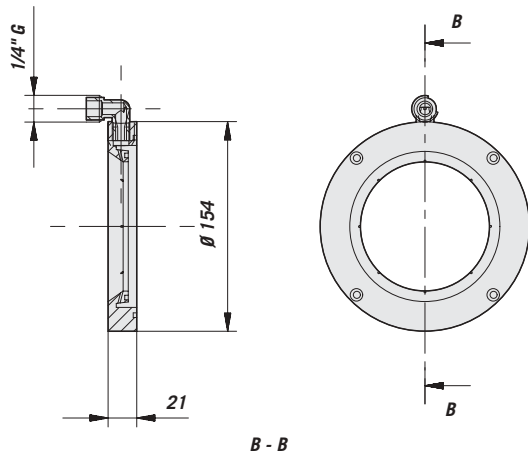
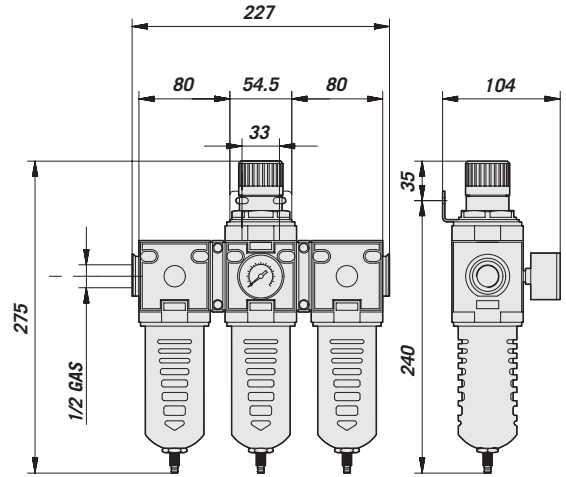
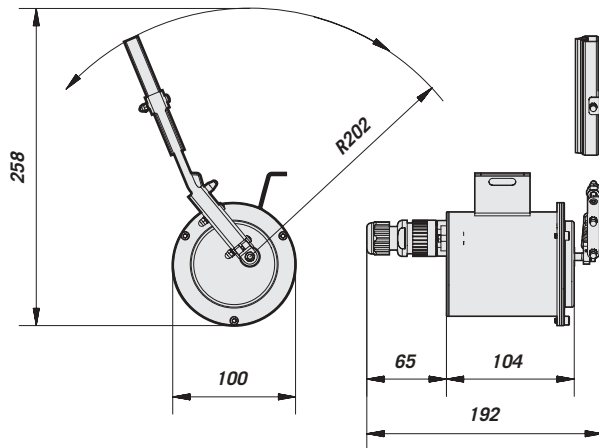
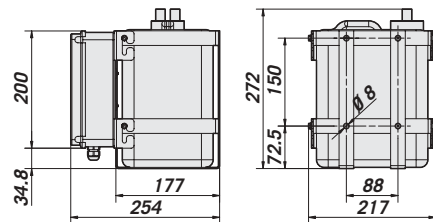
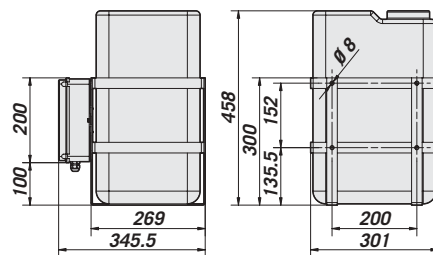
MODELS				
	Sunshield	Heater 115/230VAC	Heater 12VDC/24VAC	Double heater 115/230VAC
NXM0D1000B				
NXM1K1000B	•	•		
NXM2K1000B	•		•	
NXM1K1050	•			•



NXM



The values are in millimeters.

ONXAB1

NXFIGRU

VIPNX

VIP5WAS

VIP25WAS


The values are in millimeters.

**NXM****FOR INSTALLATION IN AGGRESSIVE ENVIRONMENTS****TECHNICAL DATA****GENERAL**

Made of stainless steel (Austenitic alloy stainless steel, corrosion and heat-resistant according to the following standards):

- UNI 6900-71: X 2 Cr Ni Mo 17 12
- AISI: 316L
- DIN 17006: X 2 Cr Ni Mo 18 10
- N° WERKSTOFF: 1.4404
- AFNOR: Z2 CND 17-12
- BSI: 316 S 12

The screws utilised are in austenitic alloy stainless steel, corrosion and heat-resistant according to the following standards:

- UNI 6900: X 5 Cr Ni Mo 1712
- AISI: 316
- ISO quality: A4
- Resistance class ISO: 80

- External body polishing
- 12 mm (0.47 in) thick front and back flange
- O-ring gaskets

UNI: Ente Nazionale Italiano di Unificazione, AISI: American Iron and Standard Institute, DIN: Deutsche Industrie Normen, AFNOR: Association Française de Normalisation, BSI: British Standard Institution, ISO: International Organization for Standardization.

MECHANICAL

- 2 PG13,5 cable glands in nickel-plated brass for external connections
- External dimensions: Ø 125 mm (4.9 in) length 350 mm (13.77 in)
- Internal usable dimensions WxH: 88x86 mm (3.46x3.38 in)
- Window glass 4 mm (0.15 in) thick, Ø 97 mm (3.8 in)

Usable length mm (in):

- Internal usable length: 343 mm (13.5 in)
- Internal usable length with connection board: 265 mm (10.4 in)
- Internal usable length with connection board and power supply: 245 mm (9.6 in)

Wiper VIPNX:

- Wiper blade and enclosure made of AISI 316 stainless steel
- Dimensions (DiameterxL): 100x169 mm (3.9x6.6 in) not comprehensive of blade
- Weight: 1,5 kg (3.3 lb)
- Connector 3+1 pins

Washer pump:**VIP5WAS:**

- Dimensions WxHxL: 217x272x254 mm (8.5x10.7x10 in)
- Reservoir capacity: 5 l (1.3 gal), Delivery head: max 5 m (16 ft)

VIP25WAS:

- Dimensions WxHxL: 301x458x345 mm (11.8x18x13.5 in)
- Reservoir capacity: 25 l (6.6 gal), Delivery head: max 5 m (16 ft)

VIP25WASA01:

- Dimensions WxHxL: 710x300x270 mm (28x12x11 in)
- Reservoir capacity: 25 l (6.6 gal), Delivery head: max 30 m (98.5 ft)

ELECTRICAL

Heater, Ton 15°C+/-3°C (59°F) Toff 22°C +/-3°C (71°F):

- ONXMH1 IN 12VDC/24VAC, consumption 20W
- ONXMH2 IN 115/230VAC, consumption 40W

Camera power supply:

- ONXPS1B IN 230VAC, 50Hz - OUT 12VDC, 1A max
- ONXPS2B IN 230VAC, 50Hz - OUT 24VAC, 400mA max

Double heater, Ton 15°C+/-3°C (59°F) Toff 22°C +/-3°C (71°F):

IN 115/230VAC, max consumption 80W

Wiper:

- VIPNX1 IN 230VAC, 50/60Hz, consumption 7W
- VIPNX2 IN 24VAC, 50/60Hz, consumption 7W

Washer pump:

- VIP5WAS01 IN 230VAC, consumption 12W
- VIP5WAS02 IN 24VAC, consumption 12W
- VIP25WAS01 IN 230VAC, consumption 12W
- VIP25WAS02 IN 24VAC, consumption 12W
- VIP25WASA01 IN 230VAC, consumption 600W

ACCESSORIES

- ONXMAS6 Sunshield
- ONXMH1 Heater IN 115/230VAC
- ONXMH2 Heater IN 12VDC/24VAC
- ONXPS1B Camera power supply IN 230VAC - OUT 12VDC
- ONXPS2B Camera power supply IN 230VAC - OUT 24VAC
- VIPNX1 New AISI 316 Stainless Steel wiper kit IN 230VAC, 50/60Hz
- VIPNX2 New AISI 316 Stainless Steel wiper kit IN 24VAC, 50/60Hz
- VIP5WAS01 IN 230VAC washer pump with tank 5 l (1.3 gal)
- VIP5WAS02 IN 24VAC washer pump with tank 5 l (1.3 gal)
- VIP25WAS01 IN 230VAC washer pump with tank 25 l (6.6 gal)
- VIP25WAS02 IN 24VAC washer pump with tank 25 l (6.6 gal)
- VIP25WASA01 IN 230VAC washer pump with tank 25 l (6.6 gal)
- ONXAB1 Air barrier with tempered glass included
- NXFIGRU Air filtering

RELATED PRODUCTS**Brackets:**

- NXWBS Heavy duty housing stainless steel wall mount

P&T:

- NXPTH200 Series Heavy duty AISI 316 stainless steel P&T heads, 50/60Hz with preset

ENVIRONMENT

- Indoor/outdoor
- Submersible up to -50 m (-164 ft) (5 Bar pressure)
- Operating temperature with heater: -20°C +50°C (-4 +122° F)
- Operating temperature with double heater: down to -40°C (-40°F)

COMPLIANCE TO**NXM**

- CE according to EN 61000-6-3, EN 60065, EN 50130-4
- IP68 according to EN 60529 IP66/IPx8 (5 Bar for 48 hours)

VIPNX

- CE according to EN 61000-6-3, EN 60065, EN 50130-4
- IP66

SPARE PARTS LIST

- ONXMMAN Maintenance kit NXM housing
- OSPANX Wiper blade for VIPNX

	Unit Weight (kg / lb): NXMK: 6,6 / 14,5	Package Weight (kg / lb): NXMK: 7,3 / 16	Package Dimensions (cm / in): NXMK: 24,5x24,5x62 / 9,6x9,6x24,4	Master Carton (units): NXMK: 1
--	---	--	---	--