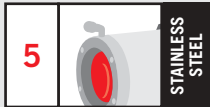




NXL + VIPNXL + NXPTH +
NXFWBT + NXWBPTH

- For big zoom lenses
- AISI 316 stainless steel construction
- For highly aggressive environments
- Weatherproof standard IP67



The NXL housing, entirely made of AISI 316 stainless steel, has been designed with the most important lenses manufacturers.

The housing is conceived to operate in special environments such as marine, like coast control, industrial, chemical and where the external agents are highly corrosive.

The NXL housing consists of a 168 mm diameter cylindrical body enclosed by two circular flanges. The back flange is equipped with 4 PG13,5 cable glands for the external connections.

The housing offers the possibility to remove either the front or the back cover for lens adjustment and various connections.

A wide range of accessories is available, including heater, camera power supply, NXWBL stainless steel wall bracket and possibility of mounting the VIPNXL wiper.

The NXL housing can be installed on NXPTH Pan & Tilt head, obtaining a complete positioning system.

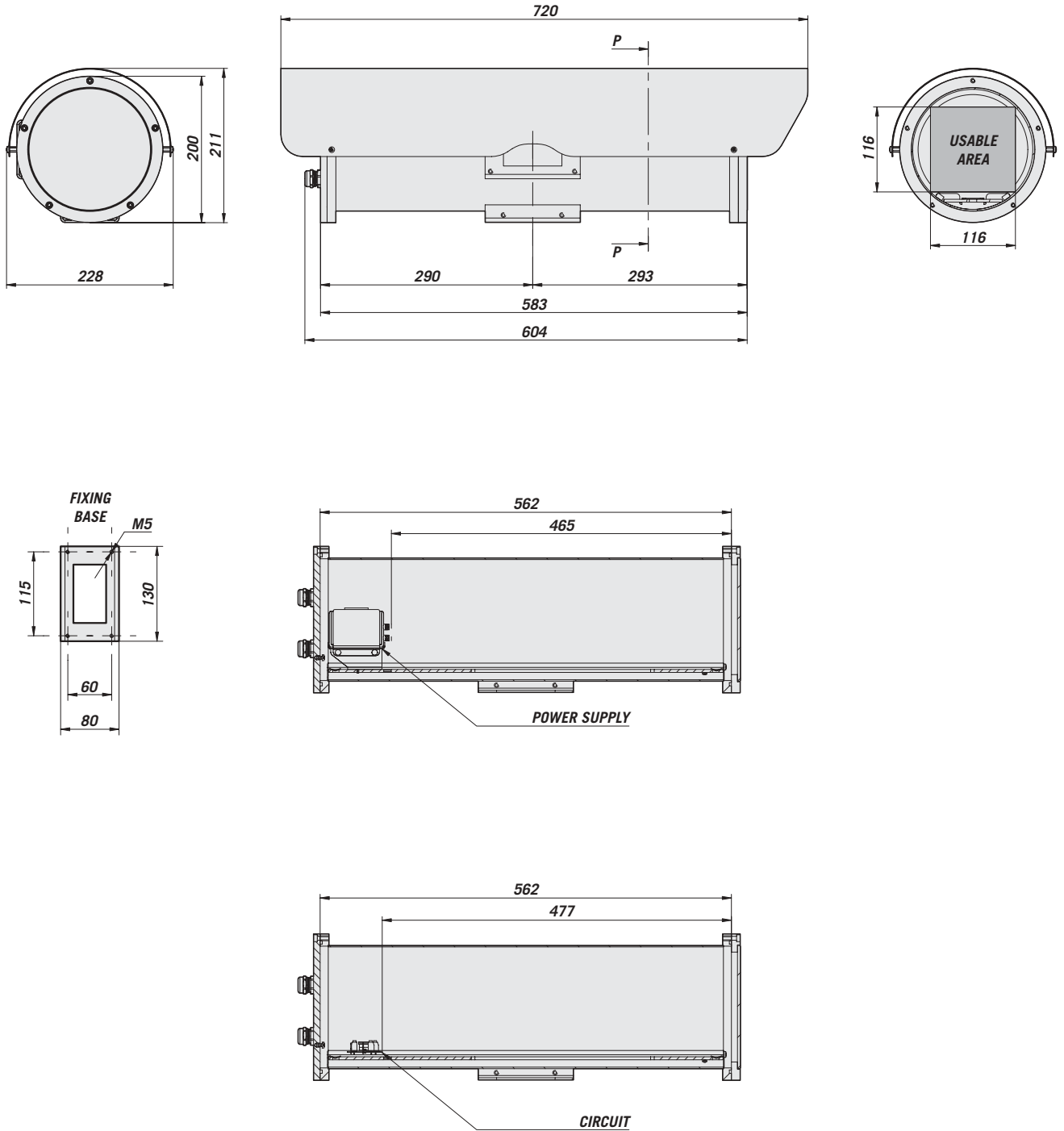
MODELS			
	Sunshield	Heater 115/230VAC	Heater 12VDC/24VAC
NXL1K1000	•	•	
NXL2K1000	•		•



LENSES CHART

	MODEL NAME	ZOOM	FOCAL LENGHT	MEASURES (WxHxD)
MANUFACTURER				
FUJINON	H22 x 11.5A-M41	22X	11.5 - 253	211,4x134x114
	C22 x 17A-M41	22X	17 - 374	211,4x134x114
	D22 x 9.1B-S41	22X	9.1 - 200	211,4x134x114
	D22 x 9.1B-Y41	22X	9.1 - 200	211,4x134x114
	H22 x 11.5B-S41	22X	11.5 - 253	211,4x134x114
	H22 x 11.5B-Y41	22X	11.5 - 253	211,4x134x114
	C22 x 17B-S41	22X	17 - 374	211,4x134x114
	C22 x 17B-Y41	22X	17 - 374	211,4x134x114
TOKINA	TM50Z1040N	50X	10.0 - 500	104x124x314
	TM50Z1040NX	50X	20.0 - 1000	104x124x314
ERNITEC	Q10Z25SPNA- _#)	25X	10 - 250	122x240,5x122
	Q30Z25SPNA- _#)	25X	30 - 750	122x313,2x122
CBC	H30Z101SAMS	30X	10 - 300	125x144x246,5
PENTAX	TS20ZME	20X	9 - 180	116x135 x 220

The values are in millimeters.

NXL


The values are in millimeters.

**NXL****HOUSING FOR BIG LENSES****TECHNICAL DATA****GENERAL**

Made of stainless steel (Austenitic alloy stainless steel, corrosion and heat-resistant according to the following standards):

- UNI 6900-71: X 2 Cr Ni Mo 17 12
- AISI: 316L
- DIN 17006: X 2 Cr Ni Mo 18 10
- N° WERKSTOFF: 1.4404
- AFNOR: Z2 CND 17-12
- BSI: 316 S 12

The screws utilised are in austenitic alloy stainless steel, corrosion and heat-resistant according to the following standards:

- UNI 6900: X 5 Cr Ni Mo 1712
- AISI: 316
- ISO quality: A4
- Resistance class ISO: 80

- External body polishing
- 12 mm (0.47 in) thick front and 9 mm (0.35 in) thick back flange
- O-ring gaskets

UNI: Ente Nazionale Italiano di Unificazione, AISI: American Iron and Standard Institute, DIN: Deutsche Industrie Normen, AFNOR: Association Française de Normalisation, BSI: British Standard Institution, ISO: International Organization for Standardization.

MECHANICAL

- 4 PG13,5 cable glands in nickel-plated brass for external connections
- External dimensions: Ø 200 mm (7.87 in) length 583 mm (22.95 in)
- Internal usable dimensions WxH: 116x116 mm (4.56x4.56 in)
- Window glass 4 mm (0.15 in) thick, Ø 98 mm (3.8 in)

Usable length mm (in):

- Internal usable length: 562 mm (22 in)
- Internal usable length with connection board: 477 mm (18.7 in)
- Internal usable length with connection board and power supply: 465 mm (18.3 in)

Wiper VIPNXL:

- Wiper blade and enclosure made of AISI 316 stainless steel
- Dimensions (DiameterxL): 100x169 mm (3.9x6.6 in) not comprehensive of blade
- Weight: 1,5 kg (3.3 lb)
- Connector 3+1 pins

Washer pump:**VIP5WAS:**

- Dimensions WxHxL: 217x272x254 mm (8.5x10.7x10 in)
- Reservoir capacity: 5 l (1.3 gal), Delivery head: max 5 m (16 ft)

VIP25WAS:

- Dimensions WxHxL: 301x458x345 mm (11.8x18x13.5 in)
- Reservoir capacity: 25 l (6.6 gal), Delivery head: max 5 m (16 ft)

VIP25WASA01:

- Dimensions WxHxL: 710x300x270 mm (28x12x11 in)
- Reservoir capacity: 25 l (6.6 gal), Delivery head: max 30 m (98.5 ft)

ELECTRICAL

Heater, Ton 15°C+/-3°C (59°F) Toff 22°C +/-3°C (71°F):

- ONXLH1 IN 12VDC/24VAC, consumption 20W
- ONXLH2 IN 115/230VAC, consumption 40W

Camera power supply:

- ONXPS1B IN 230VAC, 50Hz - OUT 12VDC, 1A max
- ONXPS2B IN 230VAC, 50Hz - OUT 24VAC, 400mA max

Wiper:

- VIPNXL1 IN 230VAC, 50/60Hz, consumption 7W
- VIPNXL2 IN 24VAC, 50/60Hz, consumption 7W

Washer pump:

- VIP5WAS01 IN 230VAC, consumption 12W
- VIP5WAS02 IN 24VAC, consumption 12W
- VIP25WAS01 IN 230VAC, consumption 12W
- VIP25WAS02 IN 24VAC, consumption 12W
- VIP25WASA01 IN 230VAC, consumption 600W

ACCESSORIES

- ONXLH1 Heater IN 115/230VAC
- ONXLH2 Heater IN 12VDC/24VAC
- ONXPS1B Camera power supply IN 230VAC - OUT 12VDC
- ONXPS2B Camera power supply IN 230VAC - OUT 24VAC
- VIPNXL1 New AISI 316 Stainless Steel wiper kit IN 230VAC, 50/60Hz
- VIPNXL2 New AISI 316 Stainless Steel wiper kit IN 24VAC, 50/60Hz
- VIP5WAS01 IN 230VAC washer pump with tank 5 l (1.3 gal)
- VIP5WAS02 IN 24VAC washer pump with tank 5 l (1.3 gal)
- VIP25WAS01 IN 230VAC washer pump with tank 25 l (6.6 gal)
- VIP25WAS02 IN 24VAC washer pump with tank 25 l (6.6 gal)
- VIP25WASA01 IN 230VAC washer pump with tank 25 l (6.6 gal)

RELATED PRODUCTS**Brackets:**

- NXWBS Heavy duty housing stainless steel wall mount

P&T:

- NXPTH200 Series Stainless steel P&T heads, 50/60Hz with preset

ENVIRONMENT

- Indoor/outdoor
- Operating temperature with heater: -20°C +50°C (-4 +122° F)

COMPLIANCE TO**NXL**

- CE according to EN 61000-6-3, EN 60065, EN 50130-4
- IP67

VIPNXL

- CE according to EN 61000-6-3, EN 60065, EN 50130-4
- IP66

**Unit Weight (kg / lb):**

NXL1K1000:
NXL2K1000:

Package Weight (kg / lb):

NXL1K1000:
NXL2K1000:

Package Dimensions (cm / in):

NXL1K1000:
NXL2K1000:

Master Carton (units):

NXL1K1000:
NXL2K1000: