



- Attractive, compact, surface-mount design
- Wide dynamic range camera
- Robust variable speed pan-tilt mechanism
- 200°/sec. (max.) preset acquisition
- Telemetry control over twisted pair
- Inbuilt active twisted pair video transmitter
- Multiprotocol

The Mistral mini-dome integrates a robust variable speed pan-tilt mechanism with a high performance DSP colour camera. Its small elegant form makes it the ideal camera for indoor surveillance applications. Mistral fits unobtrusively within any decor and provides crisp full-colour images.

Truly effective surveillance systems provide both good quality pictures and maximum deterrence of would-be felons. Mistral excels in both areas, providing unsurpassed detailed images and maximum deterrence because it is readily identifiable as a camera and yet, unlike traditional fixed cameras, observers are unsure exactly where it is pointed.

State-of-the-art variable speed drives for pan and tilt allow operators to manually follow activity whether it be moving at 0.5° or 40° per second. When used with DCT and DCJ controller keyboards (or DCTEL and DCIR), Mistral will move to any of 32 preset positions at up to 200° per second making it ideal for use in verifying alarms or for access control applications.

Mistral is the cost effective choice for those applications where cameras are required to be occasionally realigned to oversee temporary displays or moveable exhibits in galleries, hotel and office foyers, showrooms and department stores.

Integrating Mistral minidomes within older systems as a replacement for existing cameras or as a system extension could not be easier. Mistral domes are ready to connect to both traditional coaxial based wiring systems utilising RS485 telemetry or connect them directly with CAT-5 structured cabling systems. The inbuilt active twisted pair transmitter ensures optimal signal quality over twisted pair cabling and is directly installable with Videotec receivers TW series.

Installation is a fast and simple process. Secure the mounting plate to any stable ceiling surface using the provided fixings. Connect the prepared cabling to the dome and attach the safety lanyard. Set the DIP switches in the base for the appropriate address and video transmission format, and eventual telemetry protocol. Snap the dome to the mounting plate and twist it to centre the field of view.

Mistral domes are factory prefocused to give sharp images of objects 1.5m to infinite from the camera. Mistral integrated P&T dome cameras are standard supplied with a 8mm or a 6mm lens, in NTSC or PAL format, and a smoked bubble, optionally a transparent clear bubble is available.



MODELS				
	Standard	8 mm Lens	6 mm Lens	Smoked glass
MDI008FC001P	PAL	•		•
MDI006FC001P	PAL		•	•
MDI008FC001N	NTSC	•		•
MDI006FC001N	NTSC		•	•



MISTRAL

INTEGRATED P&T DOME CAMERA



CAMERA SELECTION GUIDELINES

FIELD OF VIEW (8mm lens)	Object distance m (ft)	Horizontal m (ft)	Vertical m (ft)
MDI008FC001	2 (6.5)	0,91 (2.98)	0,67 (2.19)
MDI008FC001	4 (13.1)	1,81 (5.93)	1,33 (4.36)
MDI008FC001	6 (19.6)	2,72 (8.92)	2,00 (6.56)
MDI008FC001	8 (26.2)	3,62 (11,87)	2,66 (8.72)
MDI008FC001	10 (32.8)	4,53 (14.86)	3,33 (10.92)
MDI008FC001	12 (39.3)	5,43 (17.81)	3,99 (13.09)
MDI008FC001	14 (45.9)	6,34 (20.80)	4,66 (15.28)

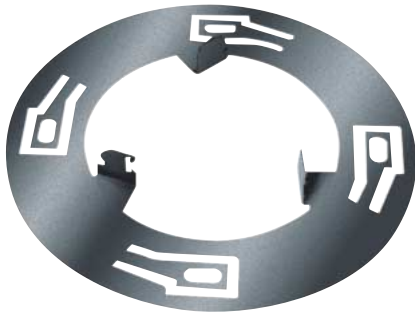
CAMERA SELECTION GUIDELINES

FIELD OF VIEW (6mm lens)	Object distance m (ft)	Horizontal m (ft)	Vertical m (ft)
MDI006FC001	2 (6.5)	1,22 (4.00)	0,90 (2.95)
MDI006FC001	4 (13.1)	2,45 (8.03)	1,80 (5.90)
MDI006FC001	6 (19.6)	3,67 (12.04)	2,70 (8.85)
MDI006FC001	8 (26.2)	4,89 (16.04)	3,61 (11.84)
MDI006FC001	10 (32.8)	6,11 (26.11)	4,51 (14.79)
MDI006FC001	12 (39.3)	7,34 (24.08)	5,41 (17.74)
MDI006FC001	14 (45.9)	8,56 (28.08)	6,31 (20.70)

CAMERA SELECTION GUIDELINES

SCREEN HEIGHT AT VARIOUS DISTANCES	Object distance m (ft)	MDI008FC001 (8mm lens)	MDI006FC001 (6mm lens)
1,6 m tall object at distance of:	2 (6.5)	239%	178%
1,6 m tall object at distance of:	4 (13.1)	120%	89%
1,6 m tall object at distance of:	6 (19.6)	80%	59%
1,6 m tall object at distance of:	8 (26.2)	60%	44%
1,6 m tall object at distance of:	10 (32.8)	48%	35%
1,6 m tall object at distance of:	12 (39.3)	40%	30%
1,6 m tall object at distance of:	14 (45.9)	34%	25%

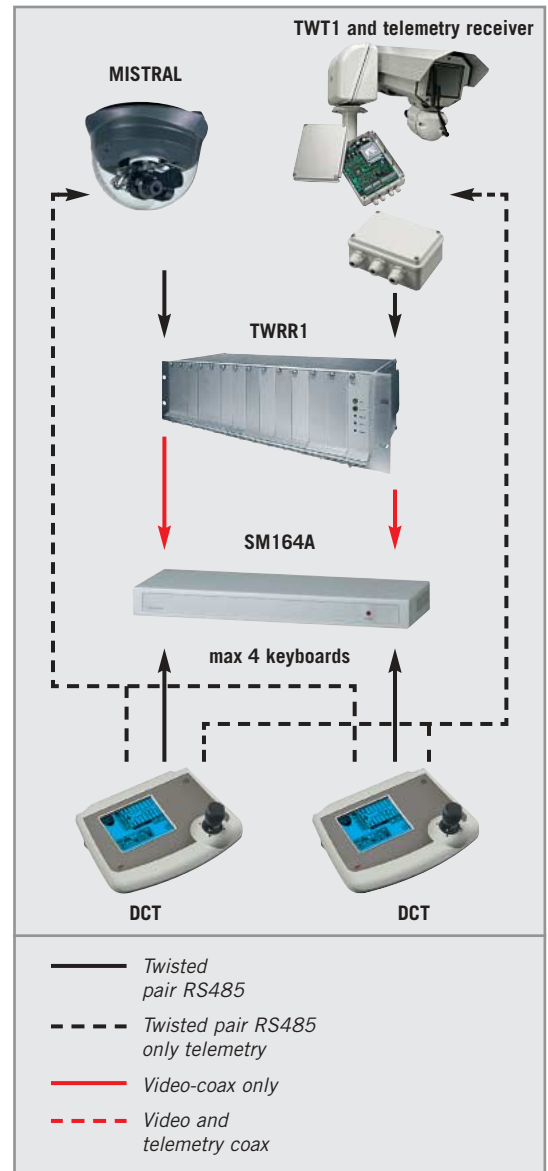
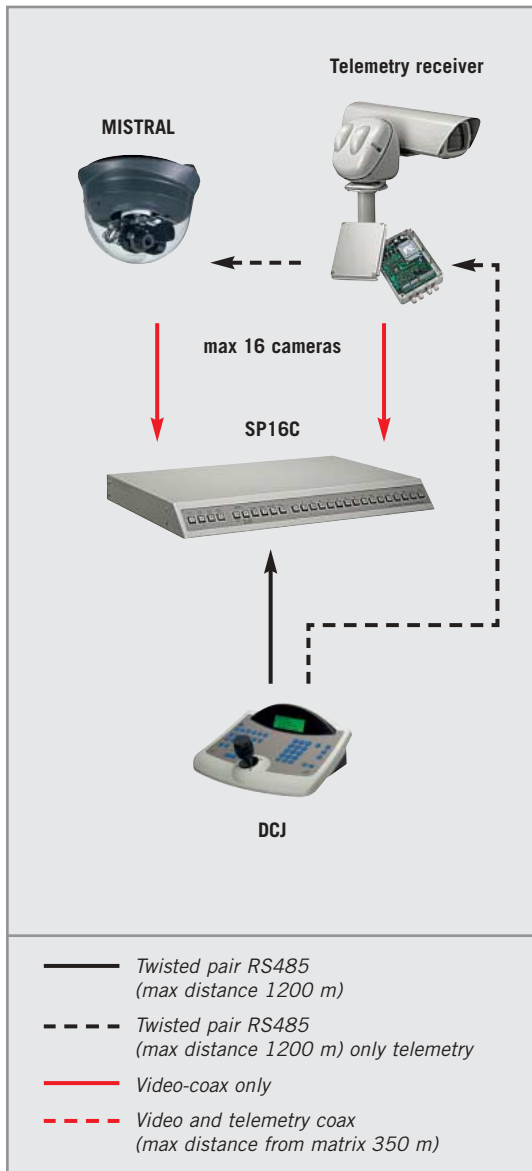




Mounting plate



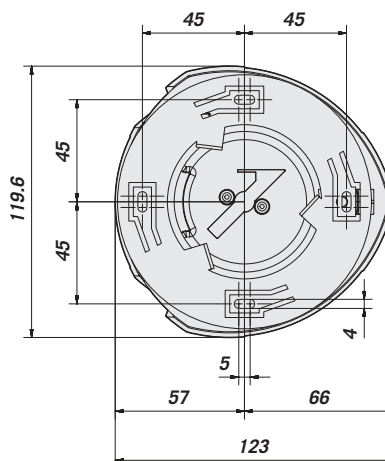
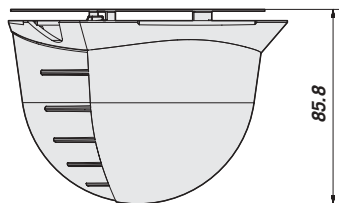
Cable for power supply, video and telemetry





MISTRAL

INTEGRATED P&T DOME CAMERA



The values are in millimeters.

TECHNICAL DATA

GENERAL

- Surface mount, directly on ceiling
- Lower semitransparent black half sphere dome, optional transparent
- Supplied with instruction manual, pigtail break-out cable, snap-fix mounting plate

MECHANICAL

- External dimensions (Ø x H): 120x85 mm (4.72x3.34 in)
- Pan range: ±90° (180°)
- Tilt range: +10 to -90° (100°)
- Pan & tilt speed 200°/sec. max. (preset calls), 0.5 ~ 40°/sec. (joystick control)
- Presets: 32 (non-volatile memory)
- Standard patrol function
- Preset accuracy: ±0.1°
- Design MTBF: >500,000 targeting operations
- I/O connector RJ-45 (includes pigtail cable for local power & coaxial video cabling)

ELECTRICAL

- Camera:**
- Image system: 1/4" CCD interline field accumulation
 - Video format: PAL or NTSC (colour)
 - Horizontal resolution (min.): 460 TV-lines
 - S/N ratio: 48dB (with AGC OFF)
 - Minimum illumination: 1.0Lux, (50% video output level, AGC ON, F1.4)
 - Electronic shutter speed 1/50 to 1/100.000 sec PAL version, 1/60 to 1/100.000 sec NTSC version
 - AGC: On (preset)
 - ELC: On (preset)
 - BLC: On (preset)
 - White balance: ATW (preset)
 - Synchronization: Internal synchronization
 - Video output: 1Vpp unbalanced composite signal, 2Vpp balanced composite signal

Lens:

- Focal length: Standard lens 8.0 mm, Wide lens 6.0 mm
- Horizontal angle of view: Standard 25.5°, Wide 34.0°
- Vertical angle of view: Standard 18.9°, Wide 25.4°
- Aperture: Standard F2.8, Wide F2.8
- Power requirements: IN 12/24VDC or 12/24VAC, 50/60Hz
- Power consumption: 4.5W (max.)

ACCESSORIES

- **OMDPSWR** Wide range power supply IN 12VDC, 1A

COMMUNICATIONS

- Serial RS485 input for direct control by DCJ and DCT (DCTEL and DCIR) keyboards for a max distance of 1200 m (3900 ft) or through video matrix SM series
- Serial RS422 input
- Integrated Pelco D and Vicon Protocols
- Up to 127 addressable units

RELATED PRODUCTS

- DCJ and DCT keyboards
- DCTEL and DCIR keyboards (no variable speed)
- SM series matrix
- Twisted pair receivers: model TWRB1, TWRR1 and TWRB1A

ENVIRONMENT

- Indoor
- Operating temperature: -0°C up to + 45°C (-32°F up to 122°F)
- Humidity: 90% max. (operating), 95% max. (storage)

COMPLIANCE TO

- CE according to EN 61000-3-3, EN 61000-3-2, EN 60065, EN 55022 Class B, EN 50130-4,
- FCC according to Part. 15 Class B

SPARE PARTS LIST

- **OMDIPLEXT** Transparent bubble for Mistral
- **OMDIPLEXF** Smoked bubble for Mistral

	<p>Unit Weight (kg / lb): MISTRAL: 0,4 / 0,9</p>	<p>Package Weight (kg / lb): MISTRAL:</p>	<p>Package Dimensions (cm / in): MISTRAL:</p>	<p>Master Carton (units): MISTRAL:</p>
--	---	--	--	---

