

Made of highly resistant plastic material, reinforced with a die-cast aluminium bracket, they are suitable for indoor installations for loads up to 5 kg.

Wide adjustment possibilities of the movement amplitude, made easy by the externally adjustable horizontal limit switches: max. horizontal rotation 320°, vertical 90°.

A practical fixing system ensures a rapid installation and easy access for maintenance. Suitable for continual use, they are equipped with automatic functioning of the horizontal movement (Autopan).

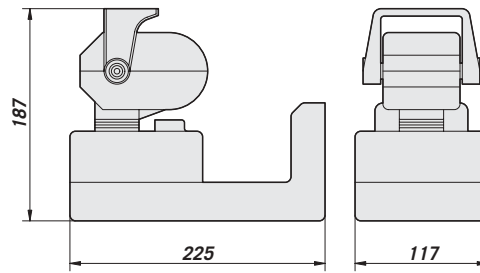
IPTS/IPHS models are particularly designed for ceiling installations or inside DBH45 and DSBH45 domes (black version). Wide variety of controllers available, ranging from the simple CBZ direct controllers to the most sophisticated telemetry receivers.

The particularly refined design makes them suitable for public places such as banks, offices, etc.

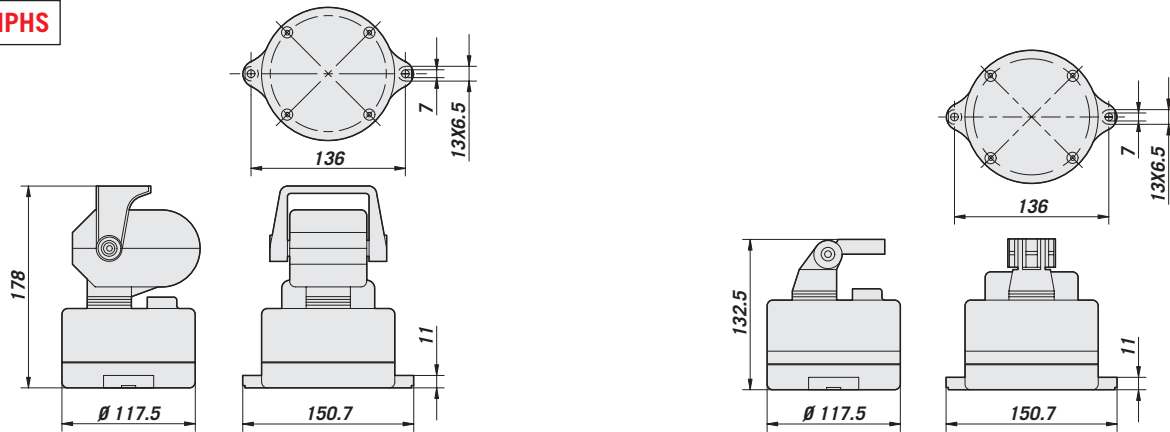
MODELS								
	CEILING	WALL	230VAC, 50Hz	24VAC, 50Hz	24VAC, 60Hz	PAN	TILT	AUTOPAN
IPT720A		•	•			•	•	•
IPT721A		•		•		•	•	•
IPHS720A	•		•			•		•
IPHS721A	•			•		•		•
IPTS720A	•		•			•	•	•
IPTS721A	•			•		•	•	•
IPT721/60A		•			•	•	•	•
IPHS721/60A	•				•	•		•
IPTS721/60A	•				•	•	•	•



## IPT



## IPTS-IPHS



The values are in millimeters.

## TECHNICAL DATA

### GENERAL

- Constructed of non-conductive plastic material
- RAL9002 colour
- Die-cast aluminium bracket
- Mounting position normal/reverse
- Supplied with: instruction manual, accessories for camera mounting

### MECHANICAL

- Dimensions:
  - IPT 190x230x120 mm (7.48x9.05x4.72 in)
  - IPTS/IPHS 186x120x120 mm (7.32x4.72x4.72 in)
- Maximum load 5 kg (11.02lb)
- 0-320° horizontal plane movement, 6° degree/sec horizontal fixed speed
- 0-90° vertical plane movement, 3° degree/sec vertical fixed speed
- Horizontal torque: 2Nm at specified voltage
- Vertical torque: 2Nm at specified voltage
- Internally adjustable horizontal limit switches
- Fixed vertical limit switches
- Standard Autopan

### ELECTRICAL

#### Power supply / consumption:

<b>IPT720 / IPTS720</b>	230VAC, 7W, 50Hz
<b>IPT721 / IPTS721</b>	24VAC, 7W, 50Hz
<b>IPHS720</b>	230VAC, 3,5W, 50Hz
<b>IPHS721</b>	24VAC, 3,5W, 50Hz
<b>IPT721/60</b>	24VAC, 7W, 60Hz
<b>IPTS721/60</b>	24VAC, 7W, 60Hz
<b>IPHS721/60</b>	24VAC, 3,5W, 60Hz

### ENVIRONMENTS

- Indoor

### COMPLIANCE TO

- CE according to EN 61000-6-3, EN 60065, EN 50130-4

### SPARE PARTS LIST

<b>OIPSMAN04</b>	IPTS RAL9002 Maintenance kit
<b>OIPTMAN04</b>	IPT RAL9002 Maintenance kit



#### Unit Weight (kg / lb):

**IPT:** 1,6 / 3.52  
**IPTS:** 1,3 / 2.86  
**IPHS:** 0,8 / 1.76

#### Package Weight (kg / lb):

**IPT:** 1,75 / 3.85  
**IPTS:** 1,45 / 3.19  
**IPHS:** 0,9 / 1.98

#### Package Dimensions (cm / in):

**IPT:** 14x25,5x20 / 5.51x10x7.87  
**IPTS:** 14x25,5x20 / 5.51x10x7.87  
**IPHS:** 14x25,5x20 / 5.51x10x7.87

#### Master Carton (units):

**IPT:** 10  
**IPTS:** 10  
**IPHS:** 10