

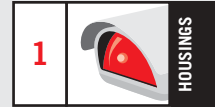
New design, weatherproof housing for outdoor installations. Its dimensions make it suitable for small CCD cameras (1/3" and 1/4") with fixed lenses. Made of extruded and die-cast aluminium, it is provided with an innovative opening system which allows access to the housings's interior; the body and the sunshield slide forward and hang in place, while the unit remains fixed allowing access to the camera from all angles. Its weatherproof features are ensured by EPDM-rubber gaskets and 1 PG9 + 1 PG11 cable glands with their specific gaskets.

A wide range of accessories is available, including sunshield heater kit and camera power supply in weatherproof box.

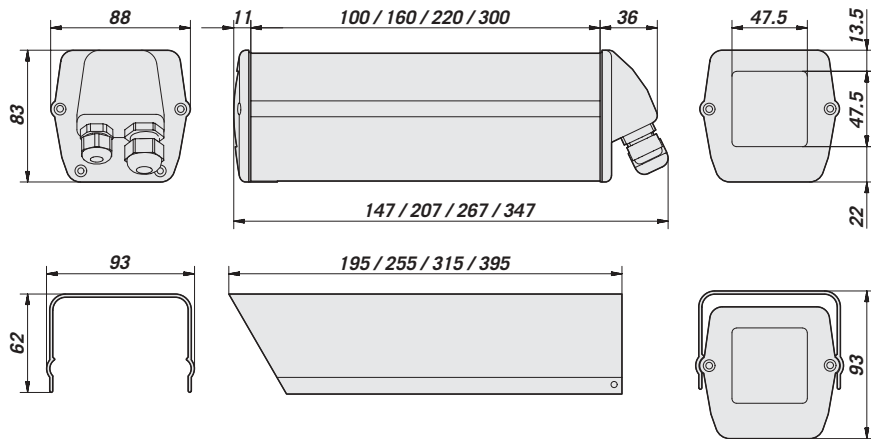


HET16K + WBCA

- Indoor/Outdoor installations
- Extruded aluminium body epoxy painted
- Sliding removable body with hinged system
- Wide range of accessories available
- Weatherproof Standard IP66



MODELS					
	Lentgh mm / in	Sunshield	Heater 115/230VAC	Heater 12VDC/24VAC	WBCA bracket
HET10D0A000	100 / 4				
HET10D0A071	100 / 4				•
HET10K0A000	100 / 4	•			
HET10K0A071	100 / 4	•			•
HET16D0A000	160 / 6.3				
HET16D0A071	160 / 6.3				•
HET16K0A000	160 / 6.3	•			
HET16K0A071	160 / 6.3	•			•
HET16K1A000	160 / 6.3	•	•		
HET16K1A071	160 / 6.3	•	•		•
HET16K2A000	160 / 6.3	•		•	
HET16K2A071	160 / 6.3	•		•	•
HET22D0A000	220 / 8.5				
HET22K0A000	220 / 8.5	•			
HET22K1A000	220 / 8.5	•	•		
HET22K2A000	220 / 8.5	•		•	
HET30D0A000	300 / 12				
HET30K0A000	300 / 12	•			
HET30K1A000	300 / 12	•	•		
HET30K2A000	300 / 12	•		•	



The values are in millimeters.

TECHNICAL DATA

GENERAL

- Die-cast aluminium back and front cover plates
- Extruded aluminium body and external slide
- Epoxy polyester powder painted colour RAL9002
- Stainless steel external screws
- Supplied with: instruction manual, desiccant bag, accessories for camera and lens mounting

MECHANICAL

- 2 cable-glands: 1xPG9 and 1xPG11
- Internal usable dimensions (WxH): 62x55 mm (2.44x2.16 in)
- Glass window WxH): 47,5x47,5 mm (1,87x1,87 in)

Usable length mm (in):

Housing:

HET10	100 mm (3.93 in)
HET16	160 mm (6.29 in)
HET22	220 mm (7.87 in)
HET30	300 mm (11.81 in)

Housing with heater:

HET16	90 mm (3.54 in)
HET22	150 mm (5.9 in)
HET30	230 mm (9.05 in)

ELECTRICAL

Heater, 15°C +/- 3°C (59°F) Toff 22°C +/- 3°C (71°F):

OHEH01	IN 12VDC/24VAC, consumption 20W
OHEH02	IN 115/230VAC, consumption 40W

ACCESSORIES

OHETS10	Sunshield for HET10
OHETS16	Sunshield for HET16
OHETS22	Sunshield for HET22
OHETS30	Sunshield for HET30
OHEH01	Heater IN 12VDC/24VAC

OHEH02	Heater IN 115/230VAC
OHEGBB	Junction box
OHEGBPS1B	Camera power supply IN 100-240VAC, 50/60Hz - OUT 12VDC, 1A max in junction box
OHEGBPS2B	Camera power supply IN 230VAC, 50Hz - OUT 24VAC, 400mA max in junction box

RELATED PRODUCTS

Brackets:

WBCA	Wall/ceiling mount for HET10 and HET16 housings
WBM	Wall mount for HET22 and HET30 housings
WFCW	Column mount for HET22 and HET30 housings
WCM3	Ceiling mount for HET22 and HET30 housings
WCM5	Ceiling mount for HET22 and HET30 housings

P&T

PTH300 series P&T, 50/60Hz

ENVIRONMENTAL

- Indoor/outdoor
- Operating temperature:
HET with heater: -20°C up to + 50°C (-4°F up to 122°F)
- Resistant to the salt-air fog until 1000 hours (according to ISO9227)

COMPLIANCE TO

- CE according to EN 61000-6-3, EN 60065, EN 50082-1
- IP66 according to EN 60529

SPARE PARTS LIST

OHETFA04	HET Front cover + screws + gasket
OHETMAN	Cable glands, gaskets and screws for HET
DOTHE02	HET accessories for camera and lens mounting



Unit Weight (kg / lb):

HET10K	0,7 / 1.54
HET10K0A071	0,92 / 2.02
HET16K	1,15 / 2.53
HET16K1A071	1,42 / 3.13
HET22K	1,45 / 3.19
HET30K	1,75 / 3.85

Package Weight (kg / lb):

HET10K	0,88 / 1.94
HET10K0A071	1,1 / 2.42
HET16K	1,35 / 2.97
HET16K1A071	1,55 / 3.41
HET22K	1,55 / 3.41
HET30K	1,95 / 4.29

Package Dimensions (cm / in):

HET10K	14,5x15x26,5 / 5.5x5.9x10.43
HET10K0A071	14x25,5x20 / 5.51x10.03x7.87
HET16K	17x34,5x13 / 6.69x 13.58x5.11
HET16K1A071	17x34,5x13 / 6.69x 13.58x5.11
HET22K	17x34,5x13 / 6.69x 13.58x5.11
HET30K	13,5x13,5x45 / 5.31x5.31x17.7

Master Carton (units):

HET10K	16
HET10K0A071	16
HET16K	16
HET16K1A071	16
HET22K	16
HET30K	12