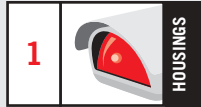


HEK30K + WBM



HEK30D + WBOV

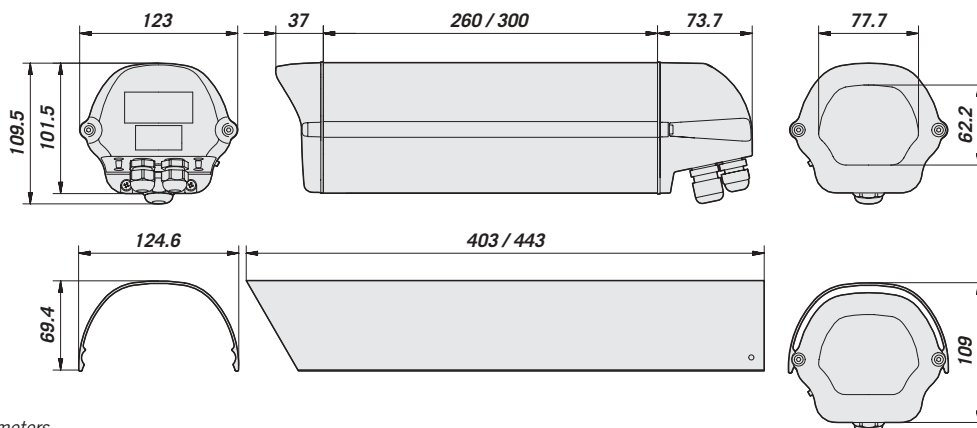


- Indoor/Outdoor installations
- Hinged, removable body
- Polycarbonate window
- Weatherproof Standard IP66 with WBM
- Double mounting option: regular or feed-through brackets
- Good vandal-resistant protection

Innovative weatherproof housing for indoor/outdoor installations. Made of extruded aluminium and plastic material, it is provided with an innovative opening system which allows access to the housings's interior; the body and the sunshield slide forward and hang in place, while the unit remains fixed allowing access to the camera from all angles. Its dimensions make it suitable for CCD cameras equipped with fixed lenses. Sturdy construction at a light weight, HEK has two mounting options at the same time: regular (WBM) or feed-through (WBOV) bracket.

Its weatherproof features are ensured by EPDM-rubber gaskets and 2 PG9 + 1 PG11 cable glands with their specific gaskets. A wide range of accessories is available, including sunshield, heater and fan-assisted heater, blower kit and camera power supply. The accessories are supplied factory installed or as simple upgrade kit. The innovative concept allows the installation in different environments, either outdoor or indoor.

MODELS					
	Length mm / in	Sunshield	Heater 115/230VAC	Heater 12VDC/24VAC	Heater fan-assisted 24VAC
HEK26D0Y000	260 / 10				
HEK26K0Y000	260 / 10	•			
HEK26K1Y000	260 / 10	•	•		
HEK26K2Y000	260 / 10	•		•	
HEK30D0Y000	300 / 12				
HEK30K0Y000	300 / 12	•			
HEK30K1Y000	300 / 12	•	•		
HEK30K2Y000	300 / 12	•		•	
HEK30K2Y015	300 / 12	•			•



The values are in millimeters.

TECHNICAL DATA

GENERAL

- Resistant technopolymer front and back cover, colour RAL7030
- Extruded aluminium body and external slide
- Epoxy polyester powder painted colour RAL9002
- Stainless steel external screws
- Supplied with: instruction manual, desiccant bag, accessories for camera and lens mounting

MECHANICAL

- 3 removable cable-glands: 2xPG9 and 1xPG11
- Internal usable dimensions (WxH): 82x62 mm (3.22x2.44 in)
- PMMA window (Ø): 72 mm (2.83 in)

Usable length mm (in):

Housing:

HEK26 260 mm (10.23 in)

HEK30 300 mm (11.81 in)

Housing with heater:

HEK26 190 mm (7.48 in)

HEK30 230 mm (9.05 in)

Housing with heater and/or camera power supply:

HEK26 170 mm (6.69 in)

HEK30 210 mm (8.26 in)

Housing with heater and/or blower:

HEK26 190 mm (7.48 in)

HEK30 230 mm (8.26 in)

ELECTRICAL

Heater, Ton 15°C+/-3°C (59°F) Toff 22°C +/-3°C (71°F):

OHEH22 IN 12VDC/24VAC, consumption 20W

OHEH21 IN 115/230VAC, consumption 40W

Blower with air filter and thermostat, Ton 35°C +/-3° (95°F) Toff 20°C +/-3° (68°F):

OHEKVF1 IN 12VDC, consumption 4 W (max)

OHEKVF12 IN 24VAC, consumption 4 W (max)

Camera power supply:

OHEPS10 IN 230VAC, 50Hz - OUT 12VDC, 350mA max

OHEPS11 IN 230VAC, 50Hz - OUT 24VAC, 350mA max

ACCESSORIES

OHEKS26 Sunshield for HEK26

OHEKS30 Sunshield for HEK30

OHEH22 Heater IN 12VDC/24VAC

OHEH21 Heater IN 115/230VAC

OHEKVF1 Blower with thermostat and air filter IN 12VDC

OHEKVF2 Blower with thermostat and air filter IN 24VAC

OHEPS10 Camera power supply IN 230VAC - OUT 12VDC

OHEPS11 Camera power supply IN 230VAC - OUT 24VAC

OHEGBB Junction box

RELATED PRODUCTS

Brackets:

WBM Wall mount for HEK with cable glands

WFWC Column mount for HEK with cable glands

WCM3 Ceiling mount for HEK with cable glands

WCM5 Ceiling mount for HEK with cable glands

WBOV Wall mount with integral cable management

WBOV3 Wall mount with integral cable management, support plate and integrated junction box

WCM4 Ceiling mount with integral cable management

P&T:

PTH300 series P&T, 50/60Hz for HEK with cable glands

PTH900 series P&T, 50/60Hz for HEK with cable glands

ENVIRONMENTAL

- Indoor/outdoor
- Operating temperature:
HEK with heater: -20°C up to + 50°C (-4°F up to 122°F)

COMPLIANCE TO

- CE according to EN 61000-6-3, EN 60065, EN 50082-1
- IP66 (with cable glands) according to EN 60529

SPARE PARTS LIST

OHEKFA06 HEK Front cover + screws + gasket

OHEKMAN Cable glands, gaskets and screws for HEK

DOTHE02 HEK accessories for camera and lens mounting



Unit Weight (kg / lb):

HEK26K: 2

HEK30K: 2,1

Package Weight (kg / lb):

HEK26K: 2,2

HEK30K: 2,3

Package Dimensions (cm / in):

HEK26K: 14x15x46

HEK30K: 14x15x46

Master Carton (units):

HEK26K: 10

HEK30K: 10