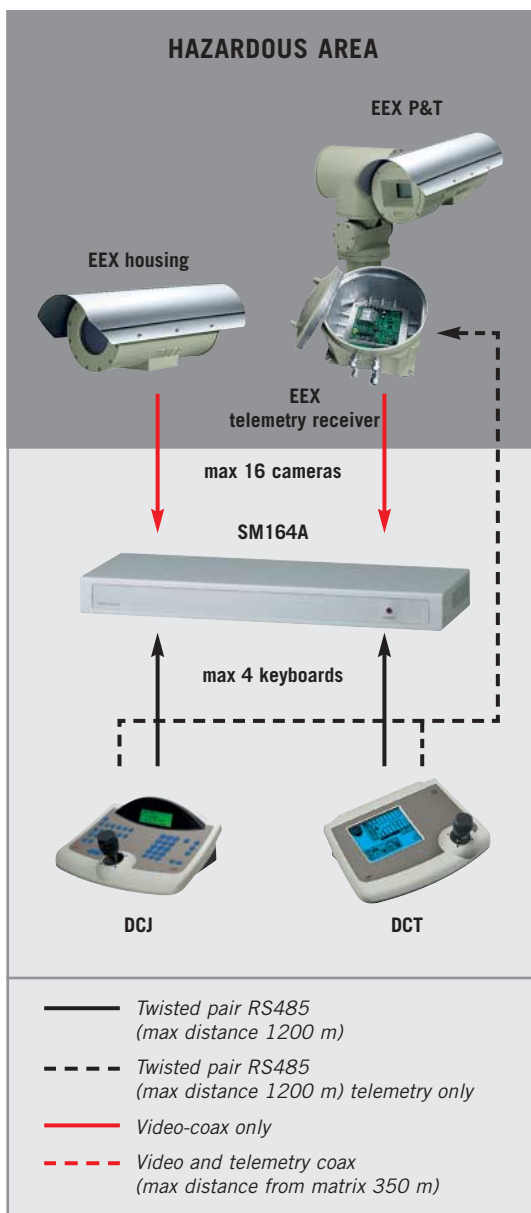
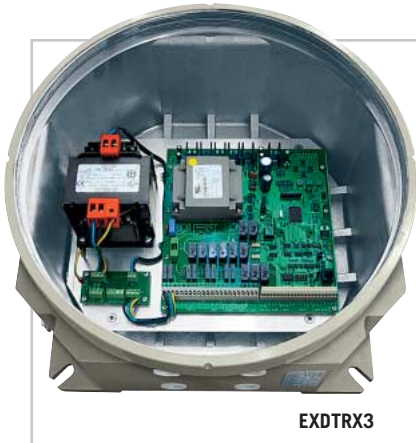


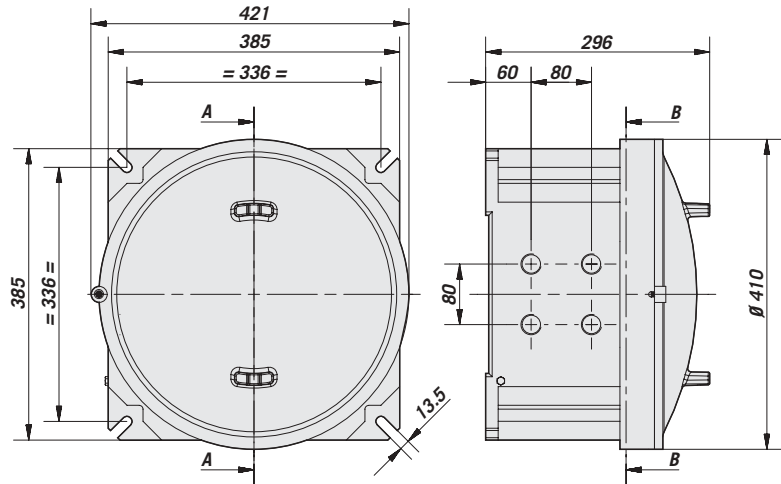
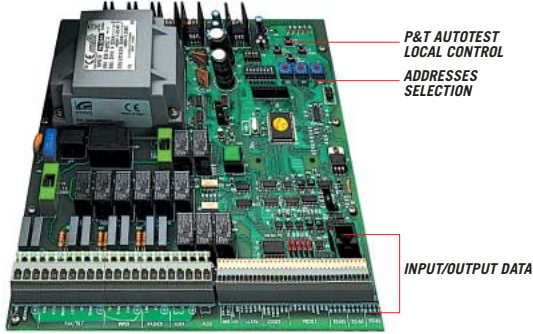
EXDTRX3 EXPLOSION-PROOF TELEMETRY RECEIVER



- Indoor/Outdoor installation
- Explosion-proof certified
- Control of Ex-proof Pan & Tilt

Telemetry receiver built in an explosion-proof box according to II 2 GD EEX d IIC T6 for control of EXPTC and EXPTD explosion-proof Pan & Tilt. It allows installations in potentially hazardous areas. EXDTRX3 allows the full control of Pan & Tilt's functions, presets and patrol functions. RAL7032 epoxy polyester powder painted, IP 66, it is supplied with 1x3/4" Gas cable gland for armoured cable (suitable for the cable coming from the Pan & Tilt) and with 3x3/4" Gas cable glands not for armoured cables (eventually available for armoured cables). Available in 230VAC, EXDTRX3, and in 24VAC, EXDTRX324.





The values are in millimeters.

TECHNICAL DATA

GENERAL

- Built in aluminium alloy
- Neoprene gaskets
- Stainless steel screws
- Epoxypolyester powder painted RAL7032
- Supplied with: 2 blanking caps 3/4" GAS, instruction manual

MECHANICAL

- 3x3/4" Gas in cable glands for non-armoured cables (eventually available for armoured cables)
- 1 3/4" Gas in cable gland for armoured cables
- External Dimensions: 410x410x296 mm (16.1x16.1x11.6 in)
- Internal Dimensions: 353x353x206 mm (13.8x13.8x8.1 in)

ELECTRICAL

EXDTRX3:

- Power Supply: IN 230VAC, 50/60Hz

EXDTRX324:

- Power Supply: IN 24VAC, 50Hz
- Consumption: 40W
- Max switching power: 100W
- Power supplied to the positioning device: IN 24VAC, 50/60Hz
- Power supplied to glass protection device: IN 24VAC
- Power supplied to the lens: IN 3-12VAC (max 100mA)
- 999 selectable addresses through Dip Switch
- Ability of using both polarity inversion lenses and common wire lenses
- LED indicating power supplied to the unit
- LED indicating active function
- EEPROM for the storage of active options
- 16 bit microcontroller with re-programmable Flash memory
- PRESET / SCAN / PATROL functions with an automatic recognition of the existing functions
- Ability to memorize up to 14 PRESET functions (P&T motor, lens). Up to 40 positions if combined with DCJ and DCT keyboards.
- 4 alarm contacts set as N.O. or N.C.

COMMUNICATIONS

- Serial input selectable between RS232 / Current Loop / RS485
- Selectable communication speed (19200 / 9600 /1200 / 300 Baud)
- RS232, RS485 and Current Loop repeater for in-line configuration
- Integrated Pelco D protocol

ENVIRONMENT

- Indoor/Outdoor
- Operating temperature:
EXDTRX3 and EXDTRX324: 0° up to 50° C (32° up to 122° F)

RELATED PRODUCTS

P&T:

EXPTC, EXPTD

Keyboards and Matrix:

DCTEL, DCIR, DCJ, DCT keyboards and SM series matrix

COMPLIANCE TO

According to the directive 94/9/CE Atex (certification released by TÜV Nord):

- Group: II (surface device)
- Category: 2 (elevated protection degree, the devices of this category can be installed in zone 1 and 21 and in zone 2 and 22)
- Atmosphere: G D (gas and dust)
- EEx: explosion-proof
- d: explosion proof housing
- IIC: group protection
- T6 T85°C: temperature classification (gas and dust respectively)

EXDTRX3 - EXDTRX324

- Ⓜ II 2 GD Eex d IIC, T6 T85°C
- Ⓞ 0722 according to 94/9/CE Atex
- IP 66



Unit Weight (kg / lb):
EXDTRX324: 29 / 63.9
EXDTRX3: 32 / 70.5

Package Weight (kg / lb):
EXDTRX324: 30,5 / 67.2
EXDTRX3: 33,5 / 73.8

Package Dimensions (cm / in):
EXDTRX324: 51x38x51 / 20x15x20
EXDTRX3: 51x38x51 / 20x15x20

Master Carton (units):
EXDTRX324:
EXDTRX3: