



AVTPSA housings have been designed for surveillance applications in places highly exposed to vandalism (underground parking lots, subway stations, prisons, police stations, corridors, supermarkets, etc).

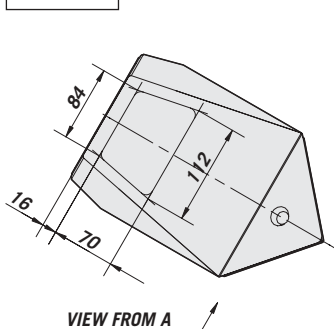
Two versions are available: AVTPSA corner housing and AVTPSAM mini corner housing. All models are made of sheet steel (3 mm thick) and painted with epoxy polyester powder.

They are equipped with an internal bracket for the camera attachment and adjustment. The compass opening allows ease installation and maintenance. The AVTPSA is key locked instead the AVTPSAM minihousing is supplied with vandal resistant screw lock. A vandal resistant polycarbonate glass is fixed on the front by means of an iron frame. The cable outlet is made possible on the fixing side.

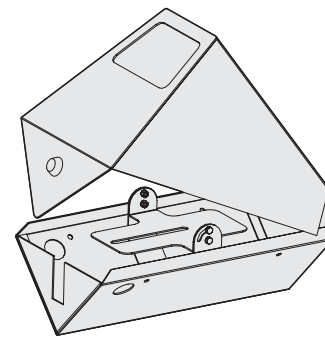
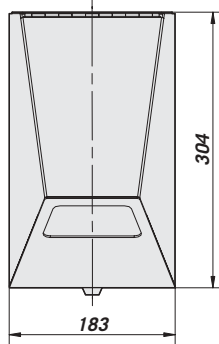
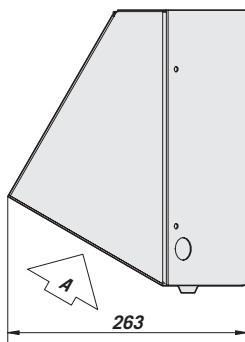
MODELS	
AVTPSA0A000	Vandal resistant corner housing with individual lock and key
AVTPSA0A101	Vandal resistant corner housing with common lock and key
AVTPSAM	Vandal resistant mini corner mount housing



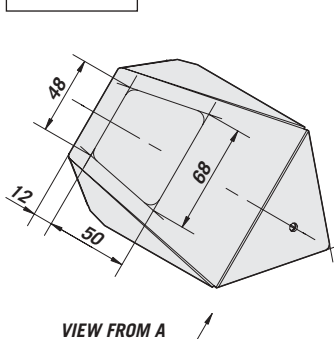
AVTPSA



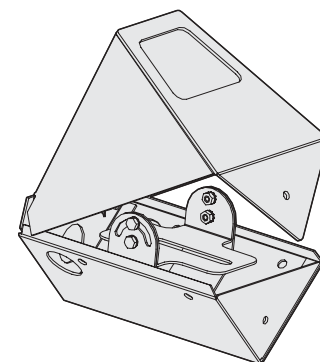
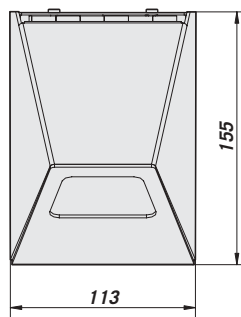
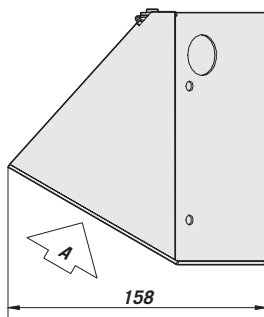
VIEW FROM A



AVTPSAM



VIEW FROM A



The values are in millimeters.

TECHNICAL DATA

GENERAL

- Sheet steel 3 mm thick (0.12 in)
- Epoxypolyester powder painted RAL9002
- Iron frame
- Vandal resistant polycarbonate glass 4 mm (0.15 in) thick
- Compass opening

MECHANICAL

AVTPSA

- External dimensions (WxHxL): 305x180x265 mm (12x7.28x10.43 in)
- Internal usable area: 75x65 mm (2.95x2.55 in)
- Usable length; 200 mm (7.87 in)
- Individual key locked (AVTPSA0A000)
- Common key locked (AVTPSA0A101)
- Cable outlet through wall
- Window dimensions: 112-84x70 mm (4.4-3.3x2.75 in)

AVTPSAM

- External dimensions (WxHxL): 155x110x160 mm (6.1x4.33x6.29 in)
- Internal usable area: 45x45 mm (1.77x1.77 in)
- Usable length: 100 mm (3.93 in)
- Vandal proof screw lock
- Cable outlet through wall
- Window dimensions: 68-48x50 mm (2.67-1.88x1.96 in)

ENVIRONMENTS

- Indoor

COMPLIANCE TO

- IK10

SPARE PARTS LIST

- | | |
|--------------|---------------------------|
| OSER1 | Spare individual key/lock |
| OSER2 | Spare common key/lock |



Unit Weight (kg / lb):
AVTPSA: 3,97 / 8.75
AVTPSAM: 1,1 / 2.42

Package Weight (kg / lb):
AVTPSA: 4,4 / 9.7
AVTPSAM: 1,4 / 3.08

Package Dimensions (cm / in):
AVTPSA: 23,5x31,5x24,5 / 9.25x12.4x9.64
AVTPSAM: 19x19x19 / 7.48x7.48x7.48

Master Carton (units):
AVTPSA: 6
AVTPSAM: 12