

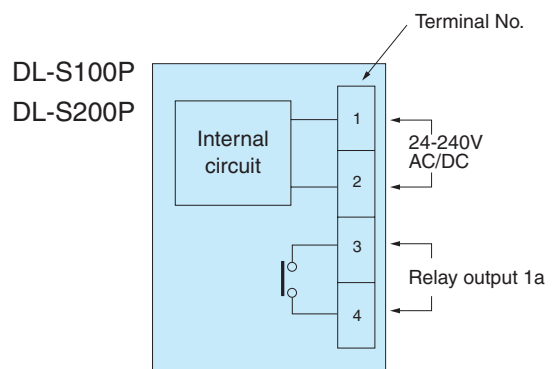
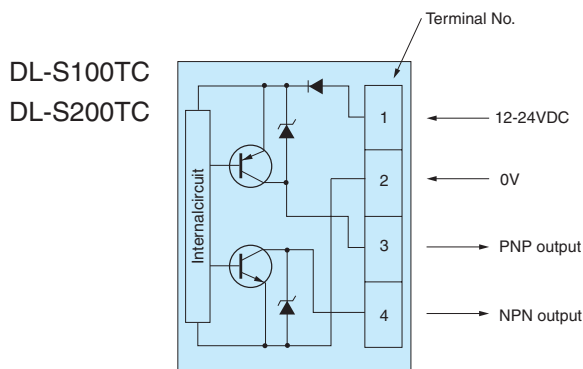
- Long distance 1 m, 2 m
- Terminal block offering fully open space for wiring

Background suppression photo sensors

### Type

Type	Detecting distance	Model	Operation mode	Output mode	Power supply
Long-range	0.2~1m	<b>DL-S100TC</b>	Light-ON/ Dark-ON selectable (with switch)	NPN/PNP open collector 2 outputs	12-24VDC
	0.2~2m	<b>DL-S200TC</b>			
	0.2~1m	<b>DL-S100P</b>		Relay output 1a	24-240V AC/DC
	0.2~2m	<b>DL-S200P</b>			

### Input/Output Circuit and Connection



## Rating/Performance/Specification

	Type	Long distance type (with terminal block)			
		Open collector output (amplifier integrated)		Relay output (AC/DC power supply type)	
	Model	DL-S100TC	DL-S200TC	DL-S100P	DL-S200P
Rating/performance	Detection method	Distance limited reflection			
	Detecting distance	0.2-1m *1	0.2-2m *1	0.2-1m *1	0.2-2m *1
	Power supply	12-24V DC $\pm 10\%$ / Ripple 10% or less		24-240V AC/DC $\pm 10\%$ 50/60Hz	
	Current consumption	30mA max.		DC power supply: 30 mA max. / AC power supply: 4 W max.	
	Output mode	NPN/PNP open collector 2 outputs Rating: current 100 mA (30 VDC) max. *2		Relay output 1a 3A 250 V 750 VA AC max. resistance load 3A 30 V 90 W DC max. resistance load	
	Operation mode	Light-ON/Dark-ON selectable (with switch)			
	Response time	10ms max.		20ms max.	
	Hysteresis	10% max of detecting distance			
	Light source	Infrared LED (880 nm)*			
	Light-sensitive element	2-division photodiode			
Specification	Indicator	OP.L: operation indicator (red LED) UP: stability indicator (green LED)			
	Volume (VR)	NEAR/FAR: Optical distance adjustment			
	Switch (SW)	Light-ON/Dark-ON selector switch		L.ON: Light-ON D.ON: Dark-ON	
	Short circuit protection	Provided			
	Material	Body: polycarbonate / Front, terminal cover: acrylic			
	Connection	Terminal block			
	Mass	170 g max. (including mounting bracket)			
	Notes	*1 With 200×200mm white drawing paper *2 NPN: sink current / PNP: source current			

## Dimensions (in mm)

