

Model SYLT Fluorescent Light Table

FEATURES:

- Uniform backlight on a large viewing area of 10.81" x 7.69" (274.6 x 195.3mm)
- Flicker-free, crisp, cool white light that is easy on the eyes
- Detachable desktop stand for versatile mounting options
- Custom configurations available



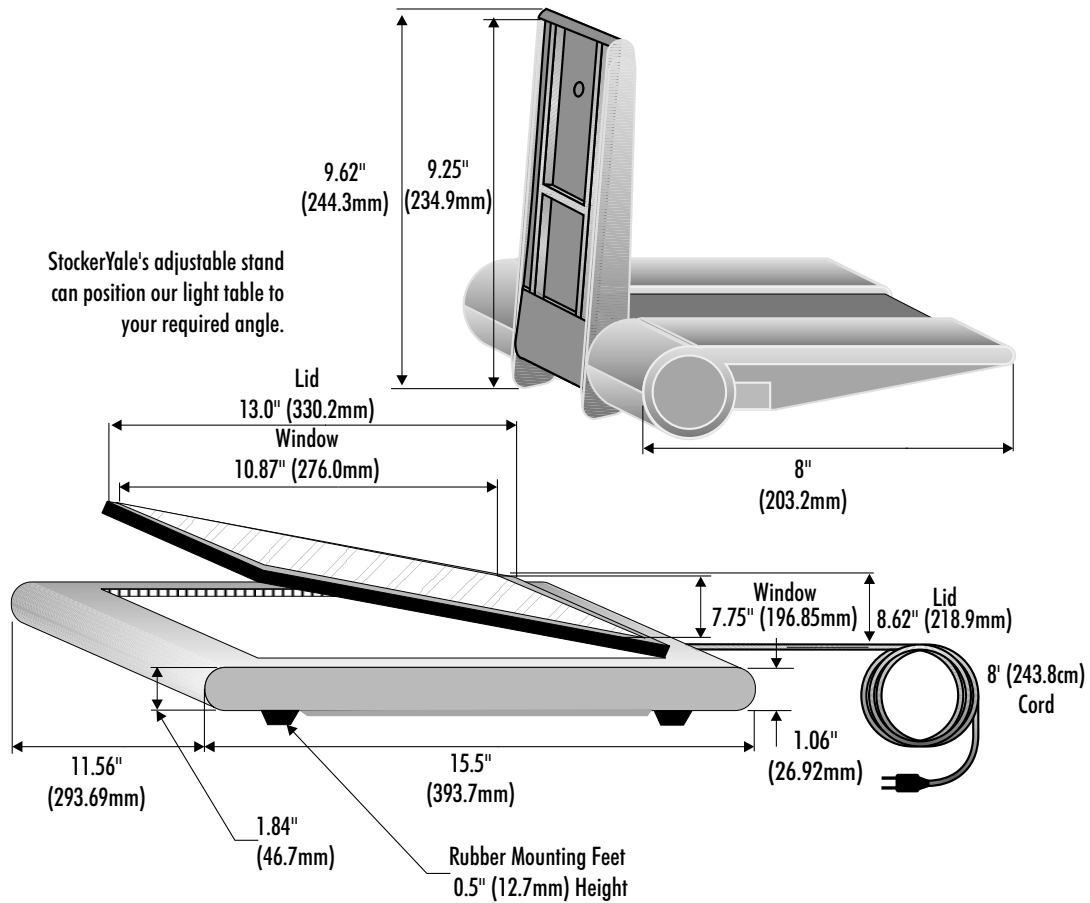
StockerYale's Model SYLT Fluorescent Light Table provides crisp, cool white light illumination across its broad viewing area of 10.81" x 7.69" (274.6 x 195.3mm). It is ideal for applications including film and paper inspection, frame grabbing, and general backlighting. With a height of only 1.06" (26.9mm), this compact light table can be positioned in applications where tight space constraints present a concern.

The SYLT light table uses two 8 Watt, cool white (4200K) fluorescent lamps in conjunction with a high frequency (40 kHz), electronic ballast to provide flicker-free illumination. This lightweight unit has a desktop stand that is detachable, allowing for versatile mounting. The SYLT may be positioned on a flat surface, wall mounted or desktop mounted either vertically or horizontally at an incline using the supplied stand. This unit is supplied with an 8ft. (2.4m) power cord for remote positioning. The cover to the viewing area may be raised or removed, depending upon the application requirements.

TECHNICAL SPECIFICATIONS

Input power:	16 Watts
Input voltage (AC):	120 VAC or 220 VAC (50/60 Hz)
Operating frequency:	40 kHz
Lamp type:	(2) F8T5/CW
Color temperature:	4200K (cool white)
Lamp life:	7,000 hours
Operating temperature:	41 to 95°F (5 to 35°C)
Weight:	4.3 lbs. (1.95 kgs.)

DIMENSIONS



StockerYale and the StockerYale logo are trademarks of StockerYale, Inc. All other brand and product names are trademarks or registered trademarks of their respective holders.

Copyright © May 2002 StockerYale, Inc. Printed in the USA
 All rights reserved. FL-010-02