

ILLUMINATION

SL Series Sealed Fluorescent Linear

FEATURES:

- Interchangeable configurations for lamp assemblies and drivers
- 7,000 hours of lamp life
- High frequency drivers for flicker-free illumination (25 kHz or 85 kHz)
- Sealed housing meets NEMA 4, 12 and 13 specifications (IP65)
- Easy mounting
- Optional wavelengths and various white color temperatures available
- Optional window materials available



StockerYale's SL Series Sealed Fluorescent Linear is designed for use in industrial environments where particulate, debris and spraydown is a concern. All of the lamp assemblies, as well as the in-line 85 kHz drivers, are completely sealed to meet NEMA 4, 12 and 13 (IP65) specifications. High frequency driver options offer exceptional, flicker-free illumination for applications including machine vision, packaging, food and beverage processing, and industrial inspection.

The Sealed Linear lamp fixtures are available in twin 4 Watt, 6 Watt, 8 Watt and 13 Watt configurations. The extruded aluminum housing is designed with an integrated T-slot for easy mounting to a variety of applications. Lamp options include a variety of white color temperatures and wavelength specific colors. These lamp assemblies can accept a number of standard window options including diffusers, UV windows, polarizers and filters to meet specific application requirements.

The driver options include a plug-in 25 kHz, an in-line 25 kHz, and an in-line universal input 85 kHz driver with fixed or variable intensity control. The 85 kHz sealed driver is supplied with a quick disconnect cable, which allows for flexible mounting configurations to suit most requirements. All in-line style driver enclosures incorporate a standard T-slot design for easy mounting.

Technical Specifications

LAMP ASSEMBLY

	LAMP TYPE			
	SLT04 (2) F4T5	SLT06 (2) F6T5	SLT08 (2) F8T5	SLT13 (2) F13T5
Lamp type:				
Lamp length (nominal):	6" (152.4mm)	9" (228.6mm)	12" (304.8mm)	21" (533.4mm)
Lamp output:	8 Watt	12 Watt	16 Watt	26 Watt
Color temperature:	5100K (deluxe daylight)*			
Lamp life:	7,000 hours			
Operating temperature:	32 to 150°F (0 to 65°C)			
Humidity range:	0 to 80%; non-condensing			
Enclosure rating:	NEMA 4, 12 & 13 or IP65			
Agency Approvals:	CE marked			

*Standard lamp provided unless otherwise specified

LAMP OUTPUT

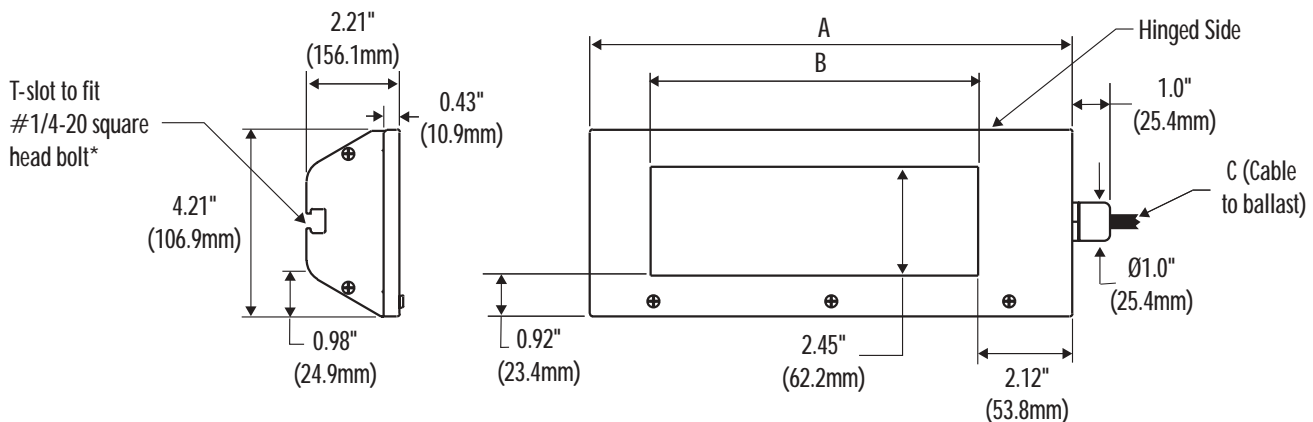
Working Distance	LAMP TYPE			
	SLT04	SLT06	SLT08	SLT13
3" (76.2mm)	1390 fc	1695 fc	845 fc	1974 fc
6" (152.4mm)	387 fc	697 fc	796 fc	985 fc
9" (228.6mm)	180 fc	330 fc	418 fc	607 fc
12" (304.8mm)	103 fc	212 fc	250 fc	388 fc

Note: Output assumes standard clear diffuse window

BALLAST ASSEMBLY

	BALLAST TYPE			
	Plug-In P Style	In-Line D Style	Universal Fixed Intensity S3 Style	Universal Variable Intensity S4 Style
Ballast style:				
Input voltage:	110 VAC	110 VAC or 220 VAC	110-220 VAC	110-220 VAC
Input frequency:	60 Hz	50 or 60 Hz	50-60 Hz	50-60 Hz
Operating frequency:	25 kHz	25 kHz	85 kHz	85 kHz
Enclosure rating:	-	-	NEMA 4, 12 & 13 or IP65	NEMA 4, 12 & 13 or IP65
Agency approval:	-	CE marked (220V only)	CE marked	CE marked

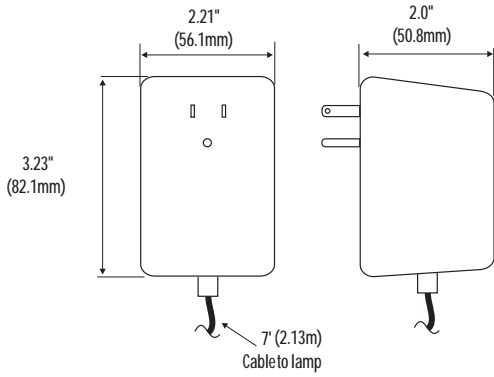
Lamp Assembly Dimensions



Ballast type	C (cable length)
Plug-in	7' (2.13m)
In-line	7' (2.13m)
Universal	6' (1.83m)

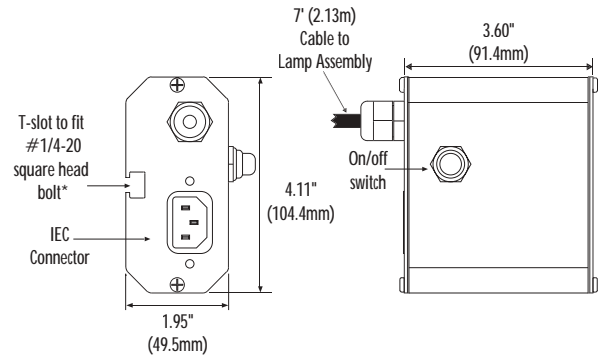
	LAMP TYPE			
	SLT04	SLT06	SLT08	SLT13
A	7.84" (19.9cm)	10.84" (27.5cm)	13.84" (35.2cm)	22.84" (58cm)
B	4.38" (11.1cm)	7.38" (18.7cm)	10.38" (26.4cm)	19.38" (49.2cm)

Plug-In Ballast (25 kHz)



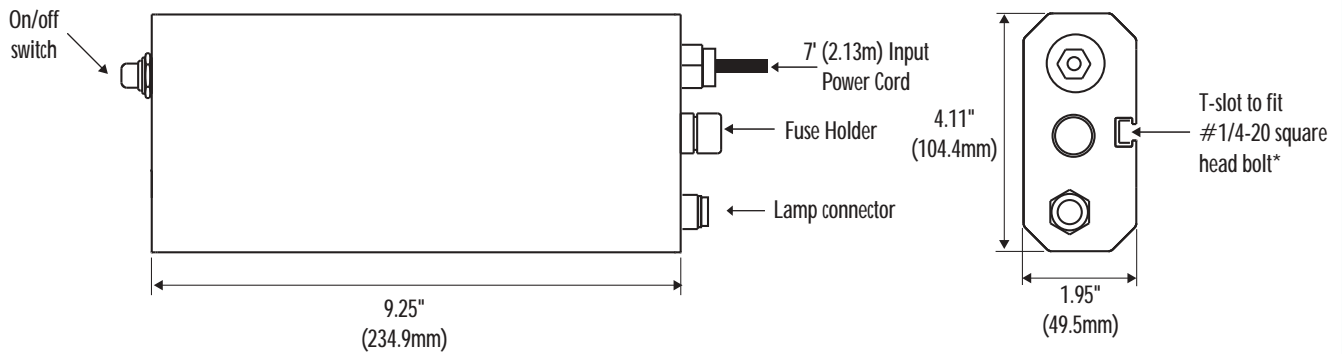
Note: Only available as 110 VAC

In-Line Ballast (25 kHz)

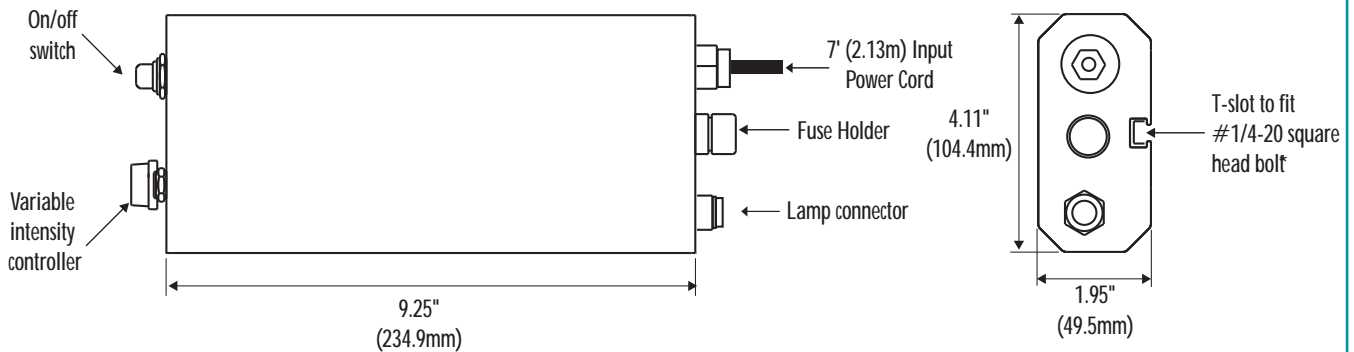


Note: 8ft (2.44m) IEC cable supplied with each unit; various plug options available

Universal Fixed Intensity Ballast (85 kHz)



Universal Variable Intensity Ballast (85 kHz)



* 1/4 - 20 square nut or other hardware may be substituted. Consult factory for details.

Lamp Options

Description	PART NUMBERS			
	SLT04	SLT06	SLT08	SLT13
White 4200K (cool white)	13231	13232	13233	13234
White 5100K (deluxe daylight)*	13271	13272	13273	13274
Black Light Blue, UV (peak wavelength, 365nm)**	13254	13256	13258	13260
Blue (peak wavelength, 450nm)	13214	13216	13218	13220
Green (peak wavelength, 544nm)	13224	13226	13228	13222
Yellow (peak wavelength, 585nm)	13304	13306	13308	13313
Red (peak wavelength, 658nm)	13294	13296	13298	13300

* Standard lamp provided unless otherwise specified

** Must be used with UV window

Window Options

Description	Application	PART NUMBERS			
		SLT04	SLT06	SLT08	SLT13
Clear window	Used for high output flood lighting	11080741	11080761	11080781	11080791
Clear diffuse*	Used for diffuse area lighting	11080742	11080762	11080782	11080792
50/50 diffuse	Used for backlighting or highly diffuse front lighting	11080744	11080764	11080784	11080794
UV window	Used for black light applications where UV transmission is required.	11080743	11080763	11080783	11080793

*Standard window provided unless otherwise specified

Note: All window options are made of an acrylic material



StockerYale and the StockerYale logo are trademarks of StockerYale, Inc. All other brand and product names are trademarks or registered trademarks of their respective holders.

Copyright © July 2002 StockerYale, Inc. Printed in the USA
All rights reserved. FL-018-03