

ILLUMINATION

# SL Series – Broad Area Sealed Fluorescent Linear

HIGH-FREQUENCY (25 KHZ)

## FEATURES:

- 7,000 hours of lamp life
- High-frequency drivers for flicker-free illumination (25 kHz)
- Sealed housing meets NEMA 4, 12, and 13 specifications (IP65)
- Easy mounting
- Optional wavelengths and various white color temperatures available
- Optional window materials available



StockerYale's SL Series Sealed Fluorescent Linear is designed for use in industrial environments where particulate, debris and spraydown is a concern. All of the lamp assemblies are completely sealed to meet NEMA 4, 12, and 13 (IP65) specifications. High-frequency driver options offer exceptional, flicker-free illumination for applications including machine vision, automotive, packaging, food and beverage processing, and industrial inspection.

The sealed linear lamp fixtures are available in either a twin 26 Watt or twin 35 Watt configuration and are engineered with an extruded aluminum housing that consists of an integrated T-slot for easy mounting to support a variety of applications. Lamp options include a variety of white color temperatures and wavelength specific colors. For added flexibility, these lamp assemblies can accept a number of standard window options including diffusers, UV windows, polarizers and filters to meet specific application requirements.

The standard, high-frequency 25 kHz driver is available as an in-line dual ballast. Lamps may be operated separately using the independent on/off switches. The in-line style driver incorporates a standard T-slot design for easy and versatile mounting.

## TECHNICAL SPECIFICATIONS

Part Number	SLT26	SLT35
Input voltage	110 VAC or 220 VAC	
Operating frequency	25 kHz	
Lamp type:	(2) F26T5	(2) F35T5
Lamp output:	52 Watt	70 Watt
Color temperature:	5100K (deluxe daylight)*	
Lamp life:	7,000 hours	
Operating temperature:	32 to 150°F (0 to 65°C)	
Humidity range:	0 to 80%; non-condensing	
Enclosure rating:	NEMA 4, 12 & 13 or IP65	
Agency Approvals:	CE marked	

## WINDOW OPTIONS

Description	Application	PART NUMBERS	
		SLT26	SLT35
Clear window	Used for high output flood lighting	Consult factory for details	
Clear diffuse*	Used for diffuse area lighting	Consult factory for details	
50/50 diffuse	Used for backlighting or highly diffuse front lighting	Consult factory for details	
UV window	Used for black light applications where UV transmission is required	Consult factory for details	

\*Standard window provided unless otherwise specified  
 Note: All window options are made of an acrylic material

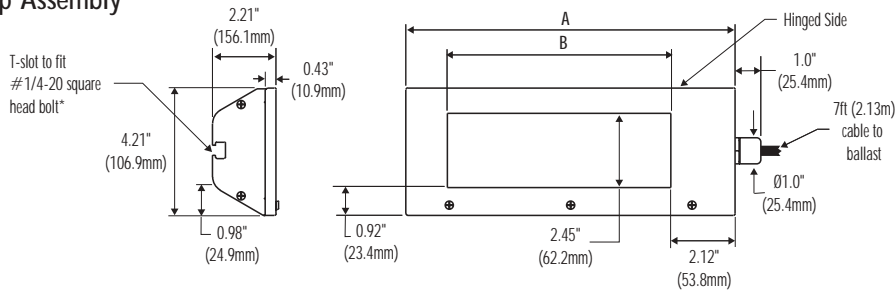
## LAMP OPTIONS

Description	PART NUMBERS	
	SLT26	SLT35
White 5100K (deluxe daylight)*	13270	13275
Black Light Blue, UV (peak wavelength, 365nm)**	13250	13252

\* Standard lamp provided unless otherwise specified  
 \*\* Must be used with UV window

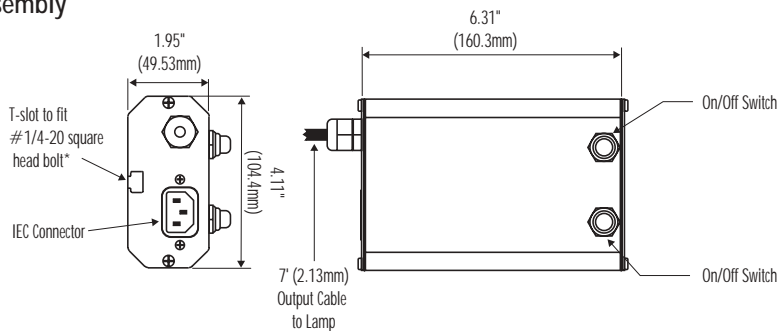
## DIMENSIONS

### Lamp Assembly



	SLT26	SLT35
A	40.06" (1.02m)	52.23" (1.33m)
B	36.58" (0.93m)	48.09" (1.22m)

### Ballast Assembly



Note: 8ft (2.44m) IEC cable supplied with each unit.



StockerYale and the StockerYale logo are trademarks of StockerYale, Inc.  
 All other brand and product names are trademarks or registered trademarks of their respective holders.

Copyright © October 2003 StockerYale, Inc. Printed in the USA  
 All rights reserved. FL-018-04