

ILLUMINATION

Model 13 High Output Fluorescent Linear

HIGH FREQUENCY (25 KHZ) - LITE MITE™ SERIES

FEATURES:

- High frequency, 25 kHz driver for flicker-free illumination
- Compact, low-profile design
- 7,000 hours of lamp life
- Wide range of lamp options
- Custom configurations available



StockerYale's Model 13 High Output Fluorescent Linear is a versatile, high frequency (25 kHz) lighting system that is designed for a wide variety of applications including frame grabbing, imaging, inspection, assembly and machine vision. This low profile, lightweight linear assembly is ideal for providing top, back or oblique lighting to where it is needed most.

The Model 13 lamp fixtures are available in twin 4 Watt, 6 Watt, 8 Watt and 13 Watt configurations. The low profile, 1.2" (30.5mm), extruded aluminum housing with diffuser cover can accept a variety of diffuser and polarizer films to meet specific application requirements. Standard brackets are provided with each unit to allow for easy mounting to a variety of configurations. Lamp options for the Model 13 include a variety of white color temperatures and wavelength specific colors.

The standard, high frequency (25 kHz) driver is available as a plug-in style for quick and easy setup, or as an in-line style for applications requiring more versatile mounting configurations such as panel mounting. (All 220V units are supplied with an in-line style driver.)

TECHNICAL SPECIFICATIONS

PART NUMBER:	13204	13206	13208	13213
Input power:	8 Watts	12 Watts	16 Watts	26 Watts
Input voltage (AC):	120 VAC or 220 VAC, 50/60 Hz			
Operating frequency:	25 kHz			
Lamp type:	(2) F4T5	(2) F6T5	(2) F8T5	(2) F13T5
Lamp output power:	8 Watts	12 Watts	16 Watts	26 Watts
Color temperature:	5100K (deluxe daylight)*			
Lamp life:	7,000 hours			
Operating temperature:	32 to 104°F (0 to 40°C)			
Humidity range:	0 to 80%; non-condensing			

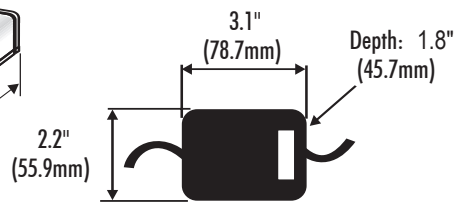
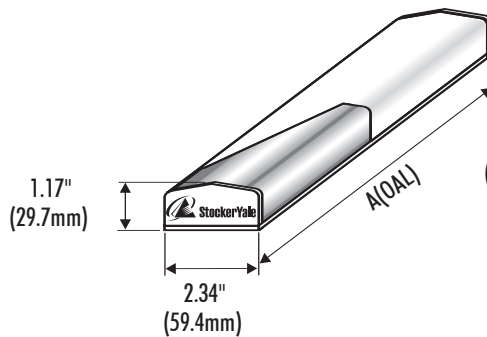
LAMP OPTIONS

F4T5	F6T5	F8T5	F13T5	Description:
13231	13232	13233	13234	White 4200K (cool white)
13271	13272	13273	13274	White 5100K (deluxe daylight)*
13254	13256	13258	13260	Black Light Blue, UV (365nm, peak)
13214	13216	13218	13220	Blue (450nm, peak)
13224	13226	13228	13222	Green (544nm, peak)
13304	13306	13308	13313	Yellow (585nm, peak)
13294	13296	13298	13300	Red (658nm, peak)

* Standard lamp provided

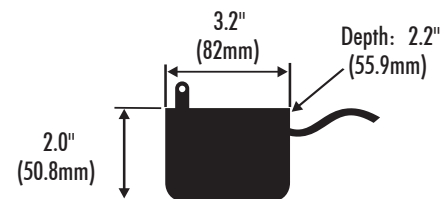
DIMENSIONS

PART NUMBER	A (OAL)
13204	8.06" (204.7mm)
13206	10.94" (277.9mm)
13208	14.13" (358.9mm)
13213	23.06" (585.7mm)



Input Power Cord - 7.5' (2.29m)
Fixture Cord - 7' (2.13m)

In-Line Ballast



Input Power Cord - 7' (2.13m)

Plug-in Ballast

Light Output

Working Distance	PART NUMBER			
	13204	13206	13208	13213
3" (76.2mm)	775 fc	1335 fc	1500 fc	1520 fc
6" (152.4mm)	200 fc	430 fc	580 fc	640 fc
9" (228.6mm)	88 fc	200 fc	275 fc	380 fc
12" (304.8mm)	50 fc	115 fc	165 fc	245 fc



StockerYale and the StockerYale logo are trademarks of StockerYale, Inc.
All other brand and product names are trademarks or registered trademarks of their respective holders.

Copyright © November 2006 StockerYale, Inc. Printed in the USA
All rights reserved. DS-M13L-001