



IL Series Industrial Fluorescent Linears

High Frequency (25 kHz)

FEATURES:

- Rugged, industrial housing
- High frequency (25 kHz), flicker-free illumination
- High output
- 7,000 hours of lamp life
- Wide range of cover material and lamp options
- Custom configurations available



StockerYale's IL Series Industrial Fluorescent Linear is designed for use in harsh, industrial environments where rugged enclosures are required to withstand the demands of certain applications. High frequency driver options offer exceptional, flicker-free illumination for applications including machine vision, packaging, food and beverage processing and industrial inspection.

The Industrial Linear lamp fixtures are available in twin 4 Watt, 6 Watt, 8 Watt and 13 Watt configurations. The extruded aluminum housing was designed with an integrated T-slot for easy mounting to a variety of applications. These lamp fixtures can accept a number of standard window options including diffusers, UV windows, polarizers and filters to meet specific application requirements. Lamp options include a variety of white color temperatures, black light blue (UV) and wavelength specific colors.

The standard, high frequency 25 kHz driver is available as a plug-in style for quick easy setup, or as an in-line style for applications requiring a more complex installation such as panel mounting. All in-line style drivers also incorporate a standard T-slot design for easy mounting. (All 220V units are supplied with an in-line style driver.)

Technical Specifications

PART NUMBER:	ILT04	ILT06	ILT08	ILT13
Input power:	8 Watts	12 Watts	16 Watts	26 Watts
Input voltage (AC):	110 VAC; 60 Hz or 220 VAC; 50 Hz			
Operating frequency:	25 kHz			
Lamp type:	(2) F4T5	(2) F6T5	(2) F8T5	(2) F13T5
Lamp output power:	8 Watts	12 Watts	16 Watts	26 Watts
Color temperature:	5100K (deluxe daylight)*			
Lamp life:	7,000 hours			
Operating temperature:	32 to 104°F (0 to 40°C)			
Humidity range:	0 to 80%; non-condensing			
Agency approvals:	CE mark (All 220 VAC units)			

LAMP OPTIONS

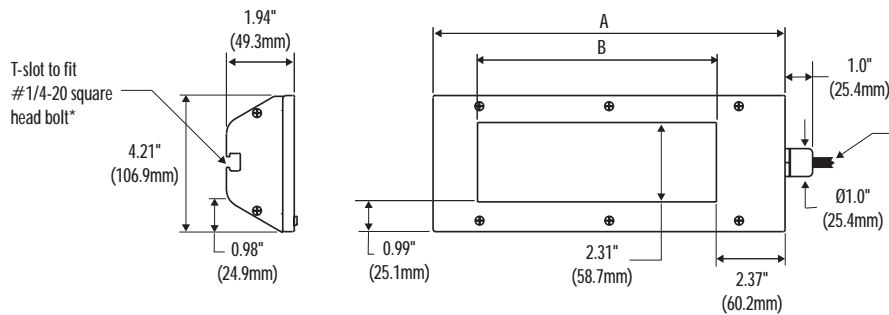
ILT04	ILT06	ILT08	ILT13	Description:
13231	13232	13233	13234	White 4200K (cool white)
13271	13272	13273	13274	White 5100K (deluxe daylight)*
13254	13256	13258	13260	Black Light Blue, UV (365nm, peak)**
13214	13216	13218	13220	Blue (450nm, peak)
13224	13226	13228	13222	Green (544nm, peak)
13304	13306	13308	13313	Yellow (585nm, peak)
13294	13296	13298	13300	Red (658nm, peak)

*Standard lamp provided

**Supplied with UV transmissive window material

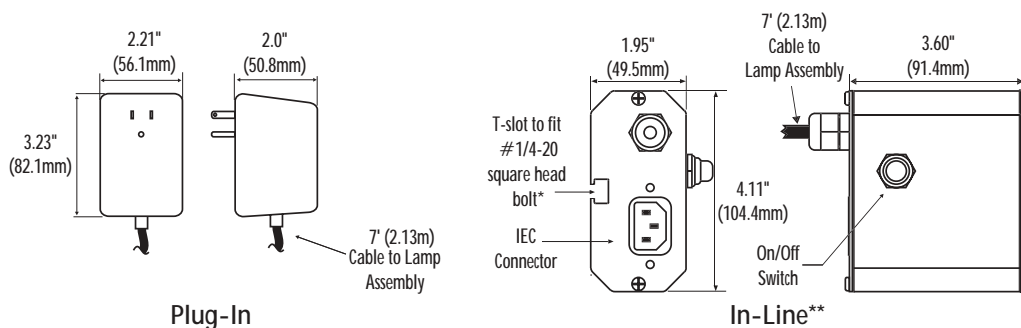
Dimensions

Lamp Assembly



	ILT04	ILT06	ILT08	ILT13
A	7.59" (19.3cm)	10.59" (26.9cm)	13.59" (34.5cm)	22.59" (57.4cm)
B	3.72" (9.4cm)	6.72" (17.1cm)	9.72" (24.7cm)	18.72" (47.5cm)

Ballast Assembly



* 1/4 - 20 square nut or other hardware may be substituted. Consult factory for details.

** In-line ballast supplied with an 8ft (2.44m) IEC power cord.



StockerYale and the StockerYale logo are trademarks of StockerYale, Inc. All other brand and product names are trademarks or registered trademarks of their respective holders.

Copyright © September 2002 StockerYale, Inc. Printed in the USA
All rights reserved. FL-022-01