



ILLUMINATION

# IL Series – Broad Area Industrial Fluorescent Linears

HIGH-FREQUENCY (25 KHZ)

## FEATURES:

- Rugged, industrial housing
- High-frequency (25 kHz), flicker-free illumination
- High output
- 7,000 hours of lamp life
- Wide range of cover material and lamp options
- Custom configurations available



StockerYale's IL Series Industrial Fluorescent Linear is designed for use in harsh, industrial environments where rugged enclosures are required to withstand the demands of certain applications. High-frequency driver options offer exceptional, flicker-free illumination for applications including machine vision, automotive, packaging, food and beverage processing and industrial inspection.

The industrial linear lamp fixtures are available in either a twin 26 Watt or twin 35 Watt configuration and are engineered with an extruded aluminum housing that consists of an integrated T-slot for easy mounting to support a variety of applications. For added flexibility, these lamp fixtures can be configured with a number of standard window options including diffusers, UV windows, polarizers and filters to meet specific application requirements. Lamp options include a variety of white color temperatures, black light blue (UV) and wavelength specific colors.

The standard, high-frequency 25 kHz driver is available as an in-line dual ballast. Lamps may be operated separately using the independent on/off switches. In-line style drivers also incorporate a standard T-slot design for easy and versatile mounting.

## TECHNICAL SPECIFICATIONS

PART NUMBER:	ILT26	ILT35
Input voltage (AC):	110 VAC; 60 Hz or 220 VAC; 50 Hz	
Operating frequency:	25 kHz	
Lamp type:	(2) F26T5	(2) F35T5
Lamp output power:	52 Watts	70 Watts
Color temperature:	5100K (deluxe daylight)*	
Lamp life:	7,000 hours	
Operating temperature:	32 to 104°F (0 to 40°C)	
Humidity range:	0 to 80%; non-condensing	
Agency approvals:	CE mark (All 220 VAC units)	

## WINDOW OPTIONS

Description	Application	PART NUMBERS	
		ILT26	ILT35
Clear window	Used for high output flood lighting	Consult factory for details	
Clear diffuse*	Used for diffuse area lighting	30747723	30747732
50/50 diffuse	Used for backlighting or highly diffuse front lighting	Consult factory for details	
UV window	Used for black light applications where UV transmission is required	Consult factory for details	

\*Standard window provided unless otherwise specified

Note: All window options are made of an acrylic material

## LAMP OPTIONS

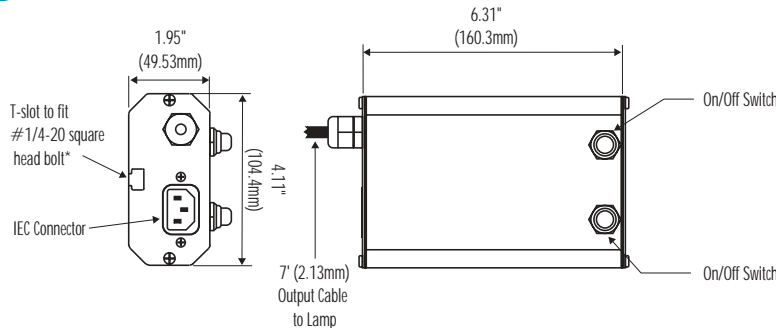
Description	PART NUMBERS	
	ILT26	ILT35
White 5100K (deluxe daylight)*	13270	13275
Black Light Blue, UV (peak wavelength, 365nm)**	13250	13252

\*Standard lamp provided

\*\*Supplied with UV transmissive window material

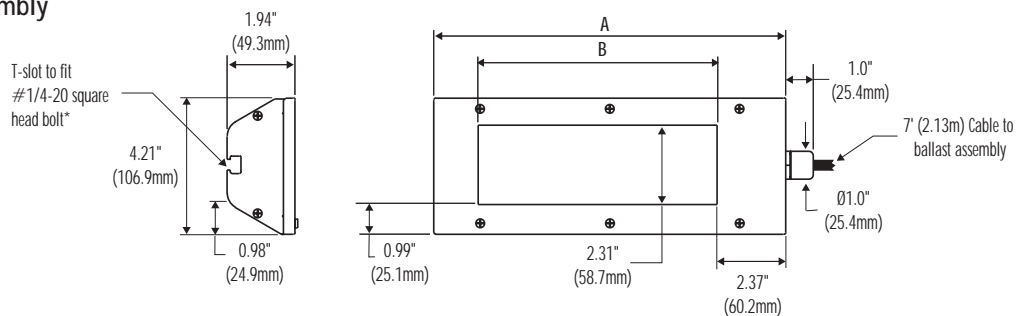
## DIMENSIONS

### Lamp Assembly



	ILT26	ILT35
A	39.72" (1.01m)	51.96" (1.32m)
B	35.92" (0.91m)	48.09" (1.22m)

### Ballast Assembly In-Line\*\*



\* 1/4 - 20 square nut or other hardware may be substituted. Consult factory for details.

\*\* In-line ballast supplied with an 8ft (2.44m) IEC power cord.



StockerYale and the StockerYale logo are trademarks of StockerYale, Inc. All other brand and product names are trademarks or registered trademarks of their respective holders.

Copyright © October 2003 StockerYale, Inc. Printed in the USA  
All rights reserved. FL-022-02