



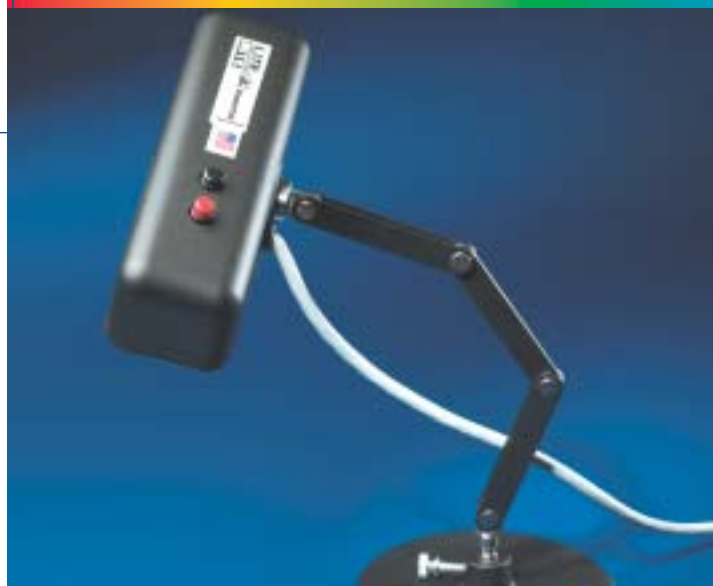
Jack-Lite™ Model 33

Fluorescent Linear Task Light

Low Frequency (60 Hz)

FEATURES:

- High output, shadow-free illumination
- Flexible mounting options
- Rugged industrial design
- 7,000 hours of lamp life
- Wide range of lamp options available



StockerYale's Jack-Lite™ fluorescent linear task light is an industrial grade, all purpose fluorescent lighting system that provides bright, shadow-free illumination for a variety of application needs including assembly and inspection.

The Jack-Lite fluorescent linear task light incorporates a rugged linear lamp assembly with an adjustable precision pivot arm that offers 330° of flexible positioning to steadily direct light where it is needed most. The lamp assembly is designed for a broad range of working areas with four 2.79" (70.9mm) long adjustable arms and a twin 4W linear lamp assembly.

The Jack-Lite is offered with either a rugged cast or magnetic base that can be mounted to a bench or tabletop. The Jack-Lite can also be removed from the base and mounted directly onto a piece of equipment for more precise directed illumination. Standard lamps are available in various white color temperatures, as well as wavelength specific colors including red, yellow, green, blue and black light blue (UV). Custom configurations may also be available.

Technical Specifications

Input power:	8 Watts
Input voltage (AC):	120 VAC or 220 VAC (50/60 Hz)
Operating frequency:	60 Hz
Lamp type:	(2) F4T5
Lamp output:	8 Watts
Color temperature:	4200K (cool white)*
Lamp life:	7,000 hours
Operating temperature:	32 to 104°F (0 to 40°C)
Humidity:	0 to 80%; non-condensing

Lamp Type:

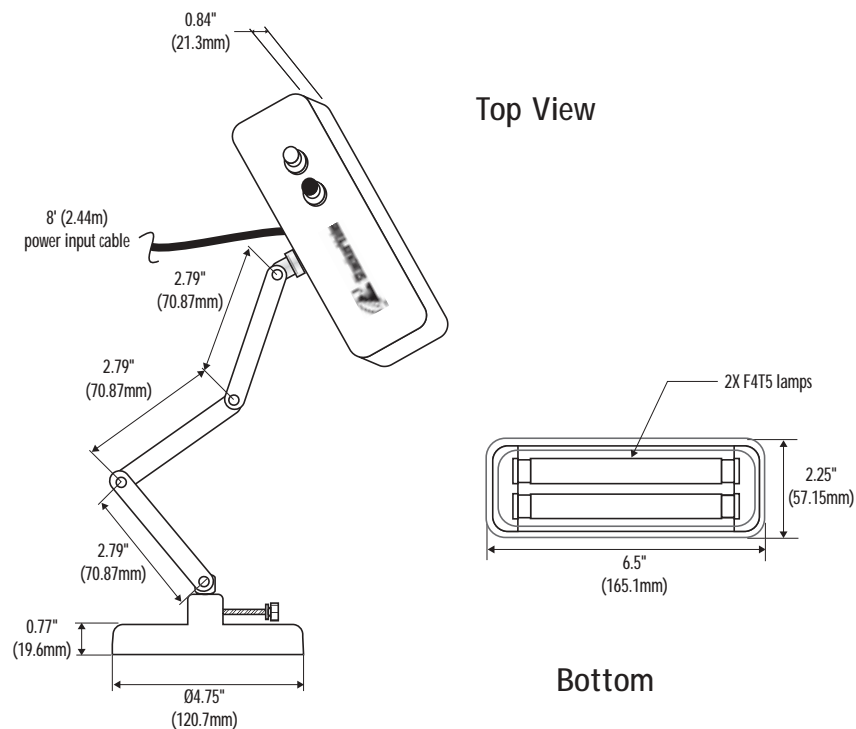
13231
13271
13254
13214
13224
13304
13294

Description:

White 4200K (cool white)*
White 5100K (deluxe daylight)
Black Light Blue, UV (365nm, peak)
Blue (450nm, peak)
Green (544nm, peak)
Yellow (585nm, peak)
Red (658nm, peak)

* Standard lamp provided

Dimensions



* Maximum extension = 8.37" (212.6mm)



StockerYale and the StockerYale logo are trademarks of StockerYale, Inc. All other brand and product names are trademarks or registered trademarks of their respective holders.

Copyright © September 2002 StockerYale, Inc. Printed in the USA
All rights reserved. TK-004-01