



Enhancer™ Model 14

Magnified Linear Fluorescent Illuminator

High Frequency (25 kHz)

FEATURES:

- 1.75X magnified viewing with low distortion
- High output, shadow-free illumination
- Flexible mounting and positioning
- High frequency (25 kHz) ballast reduces eye fatigue
- 7,000 hours of lamp life
- Wide range of lamp options available



StockerYale's Enhancer™ magnified linear fluorescent illuminator is an industrial and laboratory grade, all purpose fluorescent lighting system that provides bright, shadow-free illumination for a variety of application needs including assembly and inspection.

The Enhancer magnified linear fluorescent illuminator incorporates a low-profile linear lamp assembly with a flexible arm and a 6" x 7" (152.4mm x 177.8mm) lens that offers 1.75X magnified viewing with low distortion. The lamp assembly is designed for a broad range of working areas with two 17" (431.8mm) long adjustable arms and a twin 8W linear lamp assembly. This standard high frequency (25 kHz) ballast greatly reduces eye fatigue when used for extended periods of time for precise inspection and assembly.

The Enhancer is supplied with a rugged bolt base or screw clamp base that can be mounted to a bench or tabletop for easy, flexible positioning. Standard lamps are available in various white color temperatures, as well as wavelength specific colors including red, yellow, green, blue and black light blue (UV). An optional HLO Enhancer™ is also available and includes a high light output (HLO) 27W BIAX lamp for working areas that require increased illumination.

Technical Specifications

Input power:	Enhancer	16 Watts
	HLO Enhancer	27 Watts
Input voltage (AC):	120 VAC or 220 VAC (50/60 Hz)	
Operating frequency:	25 kHz	
Lamp type:	Enhancer	(2) F8T5
	HLO Enhancer	BIAX (single lamp)
Lamp output:	Enhancer	16 Watts
	HLO Enhancer	27 Watts
Color temperature:	4200K (cool white)*	
Lamp life:	7,000 hours	
Operating temperature:	32 to 104°F (0 to 40°C)	
Humidity:	0 to 80%; non-condensing	

Lamp Type:

13233
13273
13258
13218
13228
13308
13298
17338

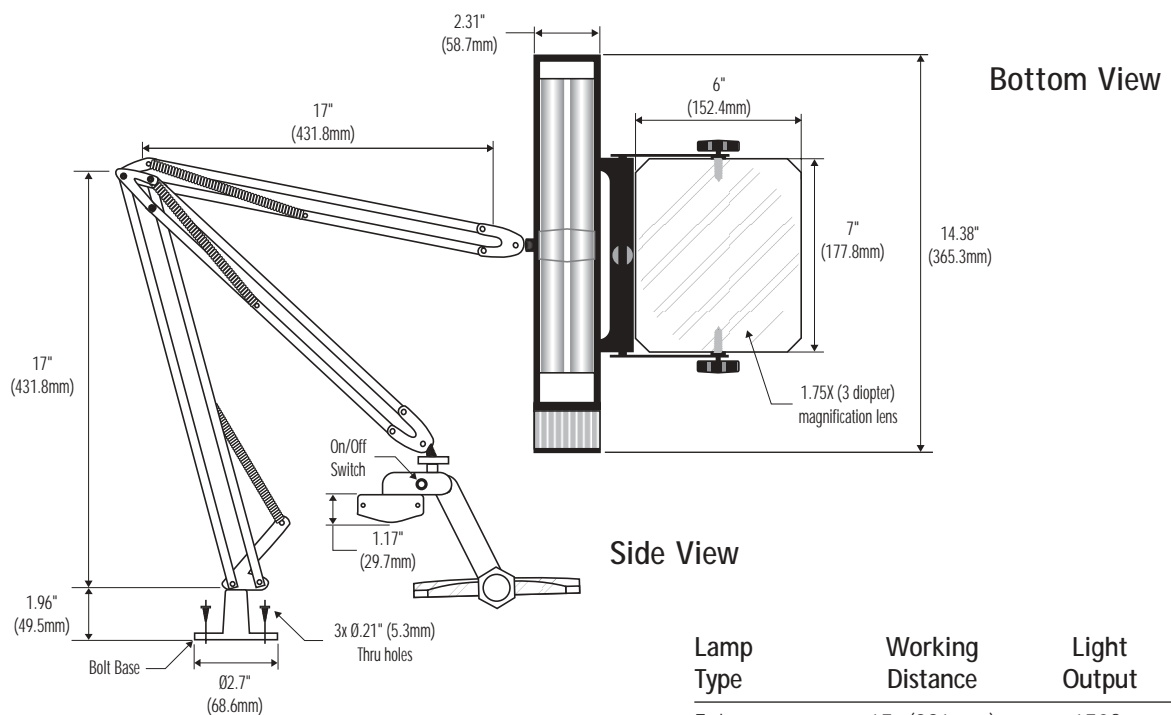
Description:

White 4200K (cool white)*
White 5100K (deluxe daylight)
Black Light Blue, UV (365nm, peak)
Blue (450nm, peak)
Green (544nm, peak)
Yellow (585nm, peak)
Red (658nm, peak)
HLO, BIAX (cool white)**

* Standard lamp provided with Enhancer

**Standard lamp provided with HLO Enhancer

Dimensions



* Clamp base (not shown) allows clearance up to 2.5" (63.5mm)

Lamp Type	Working Distance	Light Output
Enhancer	15" (381mm)	150fc
HLO Enhancer	15" (381mm)	200fc



StockerYale and the StockerYale logo are trademarks of StockerYale, Inc. All other brand and product names are trademarks or registered trademarks of their respective holders.

Copyright © August 2002 StockerYale, Inc. Printed in the USA
All rights reserved. TK-001-01