



Model 9 CFMI

Circular Fluorescent Microscope Illuminator

Low Frequency (60 Hz) - Lite Miteô Series

FEATURES:

- Compact, lightweight housing
- Glare and shadow-free, uniform illumination
- High light output and color rendition
- Dramatic energy savings over traditional lighting solutions
- 7000 hours of lamp life
- Wide range of lamp options available
- Custom configurations available



StockerYale's Model 9 CFMI (Circular Fluorescent Microscope Illuminator) is the world's leading laboratory and industrial grade fluorescent light. The circular configuration provides 360° of uniform, shadow-free, cool light where it is needed most. The polycarbonate plastic housing stays cool to the touch and does not radiate heat that may otherwise affect the illuminated target. Each illuminator is supplied with an adapter to fit virtually any microscope or camera type. Mounting brackets are available to adapt the Model 9 CFMI to a variety of custom applications.

The Model 9 CFMI uses specially designed lamps that are constructed to provide maximum light output for over 7,000 hours, thereby reducing down time and increasing productivity. Lamps for the CFMI are available in four different color temperatures and five wavelength specific colors. A polarizer kit is available to control the intensity of the transmitted light for applications requiring the illumination of reflective materials.

The Model 9 CFMI is ideally suited for applications requiring bright, diffuse, shadow-free and glare-free illumination for applications such as biological analysis, inspection and microscopy.

Technical Specifications

Input Power:	14 Watts
Input Voltage (AC):	100 VAC, 120 VAC or 220/240 VAC
Input Frequency (AC):	50/60 Hz
Operating Frequency:	60 Hz
Lamp Output Power:	13 Watts
Color Temperature:	5100K (deluxe daylight)**
Lamp Life:	Greater than 7,000 hours
Operating Temperature:	32 to 104°F (0 to 40°C)
Humidity Range:	0 to 80%; non-condensing

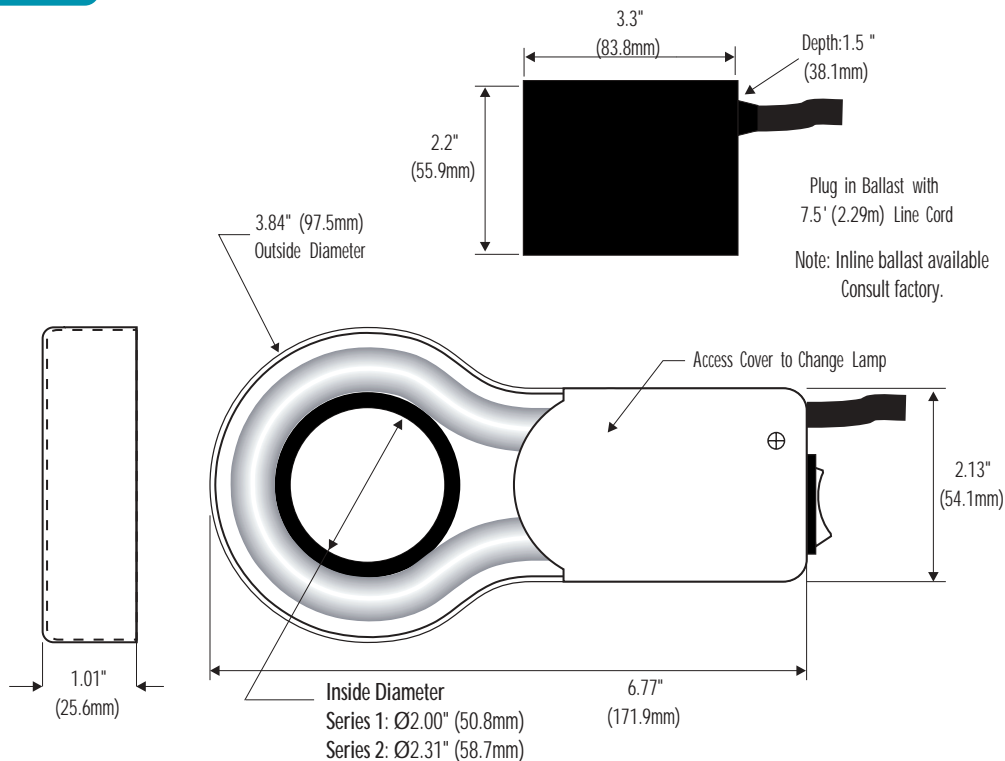
Lamp Type: Ø 3.0" Circular Fluorescent (13 Watt)

973-320	White 3200K HC* (warm white)
973-420	White 4200K HC* (cool white)
973-510	White 5100K (deluxe daylight)**
973-550	White 5500K HC* (daylight)
973-365	Black Light Blue, UV (peak wavelength, 365nm)
973-450	Blue (peak wavelength, 450nm)
973-544	Green (peak wavelength, 544nm)
973-585	Yellow (peak wavelength, 585nm)
973-658	Red (peak wavelength, 658nm)

* HC indicates High Color Rendition

** Standard lamp provided

Dimensions



StockerYale and the StockerYale logo are trademarks of StockerYale, Inc. All other brand and product names are trademarks or registered trademarks of their respective holders.

Copyright © June 2002 StockerYale, Inc. Printed in the USA
All rights reserved. FL-001-03