



Illumination

Model 5 CFVI Mini Fluorescent Ringlight

High Frequency (25 kHz)

FEATURES:

- High frequency, 25 kHz driver for flicker-free illumination
- 5100K deluxe daylight lamp (standard)
- 7,000 hours of 360°, shadow-free illumination
- Rugged, black anodized aluminum housing
- Miniature 0.984 inch (25mm) bore
- Industry standard, threaded holes for easy mounting
- Optional wavelengths and various white color temperatures available



StockerYale's Model 5 CFVI (Circular Fluorescent Vision Illuminator) mini fluorescent ringlight, with its small 0.984 inch (25mm) bore, is the ideal lighting solution for situations that require concentrated illumination, yet space constraints present a challenge.

The Model 5 CFVI is designed and engineered for a wide variety of machine vision applications including automotive, pharmaceutical, electronics assembly, medical, laboratory, semiconductor and industrial markets. Constructed of rugged, black anodized aluminum and utilizing a high frequency 25 kHz driver, the Model 5 CFVI provides 360° of flicker-free illumination. In addition, because the Model 5 CFVI is outfitted with a circular fluorescent 5100K deluxe daylight lamp, users can expect 7,000 hours of low maintenance, uniform, shadow-free illumination.

For those particular applications where the spectral output of the standard 5100K deluxe daylight lamp does not render the desired results, UV, blue and red lamps are available to meet special requirements. Optional polarizer filters can also be used to minimize reflections for applications requiring the illumination of reflective material.

StockerYale has been designing and manufacturing fluorescent illumination products for nearly fifty years. Our extensive experience allows us to continue to be the preferred lighting solution in the microscopy and machine vision industries. When high output and flicker-free, fluorescent illumination is necessary in an environment where added light is needed in a concentrated space, the Model 5 CFVI mini fluorescent ringlight is the perfect lighting solution.

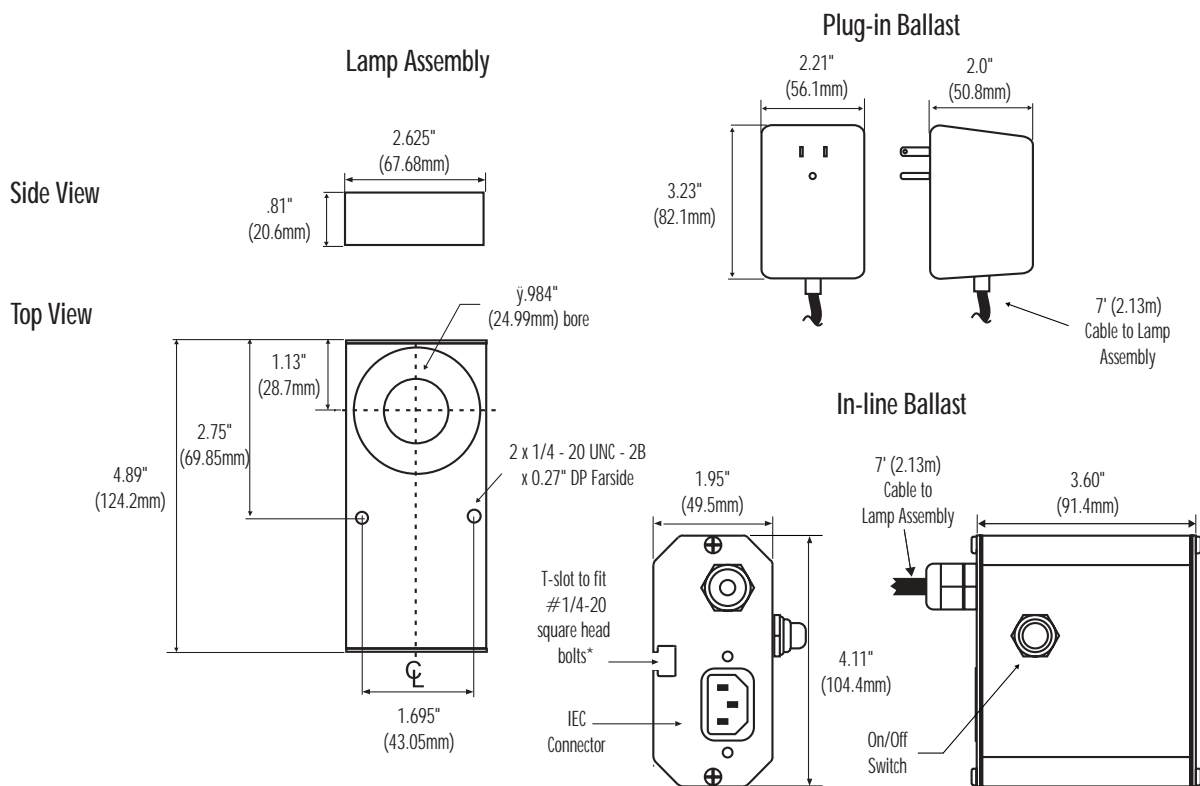
Technical Specifications

Input power:	6 Watts
Input voltage (AC):	110 VAC; 60 Hz or 220 VAC; 50 Hz
Operating frequency:	25 kHz
Lamp output power:	6 Watts
Color temperature:	5100K (deluxe daylight)*
Lamp life:	7,000 hours
Operating temperature:	32 to 104°F (0 to 40°C)
Humidity range:	0 to 80%; non-condensing
Agency approvals:	CE marked (220 VAC only)

Lamp Type:	Ø1" Bore Circular Fluorescent (6 Watt)
975-510	White 5100K (deluxe daylight)*
975-365	Black Light,UV (peak wavelength, 365nm)
975-450	Blue (peak wavelength, 450nm)
975-658	Red (peak wavelength, 658nm)

* Standard lamp provided

Dimensions



Note: In-line ballast is supplied with 8ft (2.44m) IEC input cable.

* 1/4 - 20 square nut or other hardware may be substituted. Consult factory for details.



StockerYale and the StockerYale logo are trademarks of StockerYale, Inc. All other brand and product names are trademarks or registered trademarks of their respective holders.

Copyright © September 2002 StockerYale, Inc. Printed in the USA
All rights reserved. FL-016-02