



ILLUMINATION

Superlight™ Model 18

Dual Circular Fluorescent Illuminator

HIGH FREQUENCY (25 KHZ)

FEATURES:

- Uniform, shadow-free illumination
- Superior light output and color rendition
- Independent lamp control
- 7,000 hours of lamp life
- Remote in-line driver with integrated mounting
- High frequency, 25 kHz driver for flicker-free illumination
- Wide range of lamp options
- Custom configurations available



StockerYale's Superlight™ Model 18 dual circular fluorescent illuminator is a laboratory and industrial grade fluorescent lighting system that uses two independently controlled circular lamps to provide uniform, high frequency illumination. This dual circular lamp unit provides 360° of high output, uniform illumination for a variety of application needs including inspection, microscopy, industrial imaging and machine vision.

The Superlight Model 18 lamp fixture incorporates a durable, lightweight, deep drawn aluminum housing that is designed to withstand most industrial environments. Each illuminator is supplied with an adapter to fit virtually any microscope or camera type. The standard lamps available include various white color temperatures, as well as black light blue (UV) and other wavelength specific colors including red (685nm), yellow (585nm), green (544nm) and blue (450nm).

The Superlight Model 18 driver, with an integrated T-slot for easy mounting, operates at a high frequency (25 kHz), thus providing flicker-free illumination from both the Ø3" (76.2mm) and Ø6" (152.4mm) lamps. Each lamp can be controlled independently by its own power switch, which allows the user to control the output intensity or field of illumination to fit their particular application requirements.

StockerYale's Superlight Model 18 can be used with a variety of optional accessories including diffusers, mounting adapters and various wavelength specific lamps that allow the user to configure this unit to a wide range of applications. Polarizer kits are also available for applications requiring the illumination of reflective materials. The Superlight Model 18 is one of StockerYale's most versatile assemblies for almost any application.

TECHNICAL SPECIFICATIONS

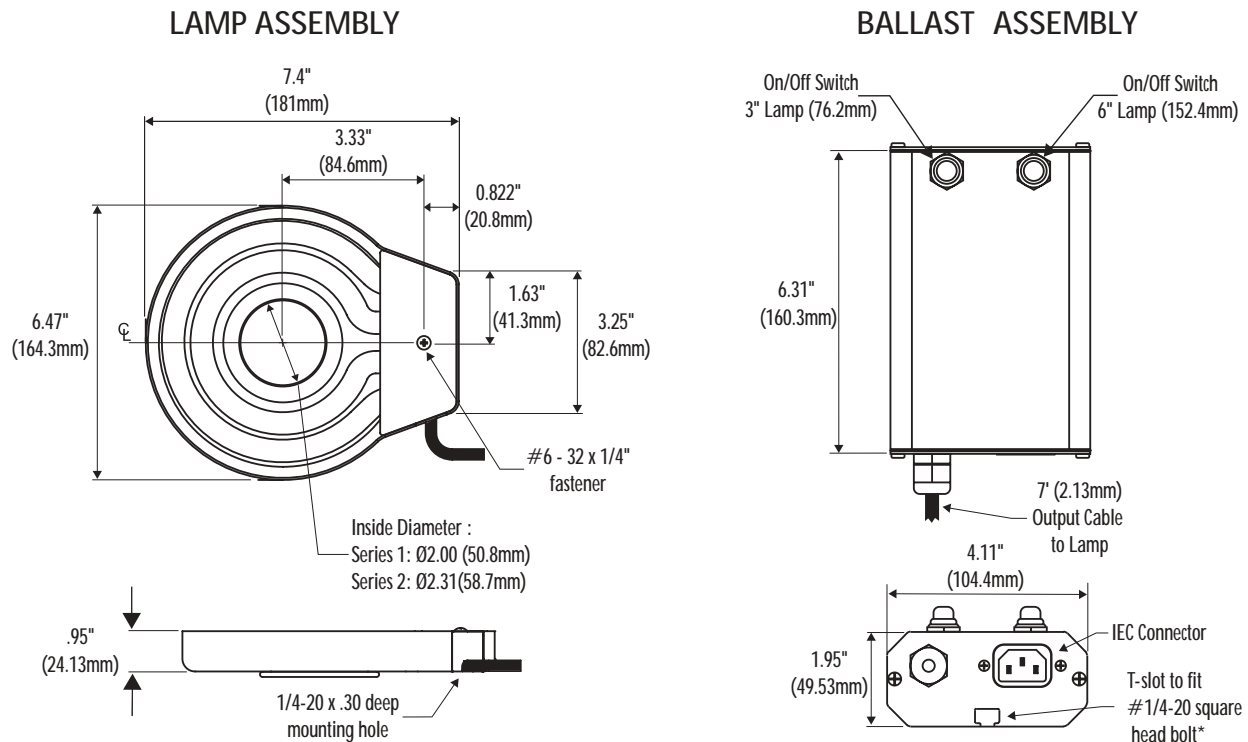
Input power:	30 Watts
Input voltage (AC):	110 VAC; 60 Hz or 220 VAC; 50 Hz
Operating frequency:	25 kHz
Lamp output power:	Inner (Ø3") - 13 Watts Outer (Ø6") - 18 Watts
Color temperature:	5100K (deluxe daylight)**
Lamp life:	7,000 hours
Operating temperature:	32 to 104°F (0 to 40°C)
Humidity range:	0 to 80%; non-condensing
Agency approvals:	CE marked (220V only)

Lamp Type:

	Ø3" Lamp (13 Watt)	Ø6" Lamp (18 Watt)
White 3200K HC* (warm white)	973-320	976-320
White 4200K HC* (cool white)	973-420	976-420
White 5100K (deluxe daylight)**	973-510	976-510
White 5500K HC* (daylight)	973-550	976-550
Black Light Blue, UV (peak, 365nm)	973-365	976-365
Blue (peak wavelength, 450nm)	973-450	976-450
Green (peak wavelength, 544nm)	973-544	976-544
Yellow (peak wavelength, 585nm)	973-585	976-585
Red (peak wavelength, 658nm)	973-658	976-658

* HC indicates High Color Rendition
** Standard lamp provided

DIMENSIONS



* 1/4 - 20 square nut or other hardware may be substituted. Consult factory for details.

** Units are supplied with an 8ft (2.44m) IEC cable.



StockerYale and the StockerYale logo are trademarks of StockerYale, Inc. All other brand and product names are trademarks or registered trademarks of their respective holders.

Copyright © November 2004 StockerYale, Inc. Printed in the USA
All rights reserved. FL-006-03