

ILLUMINATION

# Steady-Lite™ Model 13*plus* Variable Intensity Fluorescent Illuminator

HIGH FREQUENCY (85 KHZ) - LITE MITE™ SERIES

## FEATURES:

- Uniform, shadow-free illumination
- High light output and color rendition
- Variable intensity from 10 to 100%
- 7,000 hours of lamp life
- Wide range of lamp options available
- Camera and microscope lens adapters available
- Custom configurations available



StockerYale's Steady-Lite™ Model 13*plus* is a laboratory and industrial grade fluorescent lighting system that provides high frequency illumination with variable intensity control. This circular unit provides 360° of uniform, shadow-free illumination for a variety of application needs including inspection, microscopy, industrial imaging and machine vision.

The Steady-Lite Model 13*plus* circular head assembly incorporates a polycarbonate housing that stays cool to the touch and does not radiate heat to the illuminated area. Each illuminator is supplied with an adapter to fit virtually any microscope or camera type. Standard lamps are available in various white color temperatures, as well as black light blue (UV) and other wavelength specific colors including red, yellow, green and blue.

The Steady-Lite Model 13*plus* driver operates at a high frequency (85 kHz), thus providing flicker-free illumination across the entire dimming range of 10 to 100%. The driver has an integrated T-slot to allow for easy mounting, which enables the user to adapt this unit to most applications.

The Steady-Lite Model 13*plus* can be used with a variety of optional accessories including diffusers, mounting brackets and various wavelength specific lamps that allow the user to configure this unit to a wide range of applications. Polarizer kits are also available for applications requiring the illumination of reflective materials.

## TECHNICAL SPECIFICATIONS

Input Power:	30 Watts, maximum
Input Voltage (AC):	90-264 VAC, 47-63 Hz
Output Voltage (DC):	15 VDC at 1.9A, maximum
Operating Frequency:	85 kHz
Lamp Adjustment Range:	10 to 100%
Lamp Output Power:	13 Watts
Color Temperature:	5100K (deluxe daylight)**
Lamp Life:	7,000 hours
Operating Temperature:	32 to 104°F (0 to 40°C)
Humidity Range:	0 to 80%; non-condensing
Agency Approvals:	CE marked

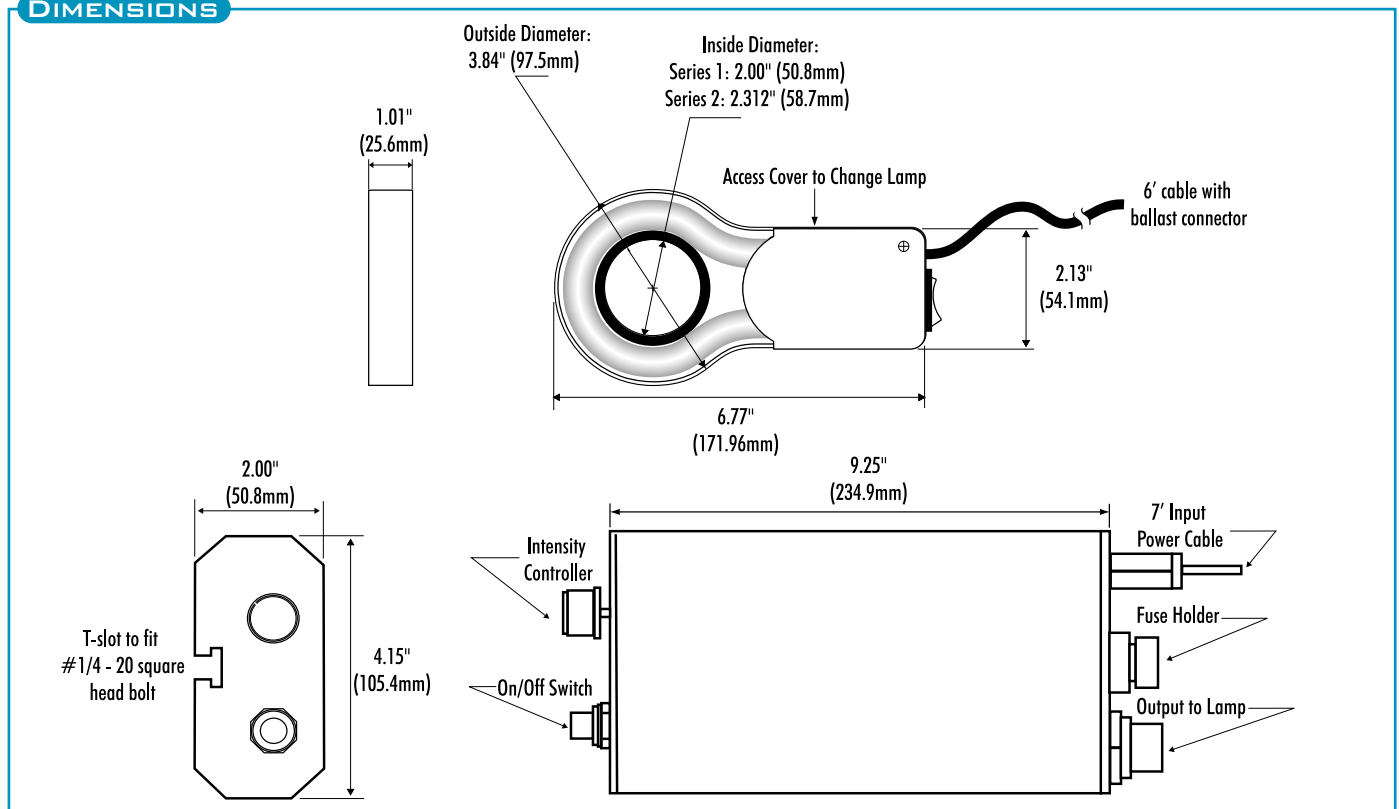
### Lamp Type: 3.0" O.D. Circular Fluorescent (13 Watt)

973-320	White 3200K HC* (warm white)
973-420	White 4200K HC* (cool white)
973-510	White 5100K (deluxe daylight)**
973-550	White 5500K HC* (daylight)
973-365	Black Light Blue, UV (peak wavelength, 365nm)
973-450	Blue (peak wavelength, 450nm)
973-544	Green (peak wavelength, 544nm)
973-585	Yellow (peak wavelength, 585nm)
978-658	Red (peak wavelength, 658nm)

\* HC indicates High Color Rendition

\*\* Standard lamp provided

## DIMENSIONS



StockerYale and the StockerYale logo are trademarks of StockerYale, Inc. All other brand and product names are trademarks or registered trademarks of their respective holders.

Copyright © March 2002 StockerYale, Inc. Printed in the USA  
All rights reserved. FL-004-01