



Model 10XI CFVI

Circular Fluorescent Vision Illuminator

High Frequency (25 kHz)

FEATURES:

- Rugged, aluminum housing with easy mounting
- High frequency, 25 kHz driver for flicker-free illumination
- 360° of uniform, shadow-free output
- 7,000 hours of lamp life
- Wide range of lamp options available
- Custom configurations available



StockerYale's Model 10XI CFVI (Circular Fluorescent Vision Illuminator) is an industrial grade fluorescent lighting system that has been designed and engineered for a wide variety of applications including imaging, process control and inspection for machine vision and other industrial illumination requirements.

Constructed of a rugged, black anodized, aluminum extrusion and powered by a high frequency (25 kHz) driver, the Model 10XI provides 360° of bright, flicker-free illumination. Each illuminator is supplied with an adapter to fit virtually any microscope or camera type. Industry standard, 1/4 - 20 threaded mounting holes are also provided for customer specific installation.

Standard lamps for the Model 10XI are available in various white color temperatures, as well as wavelength specific colors. A variety of optional accessories are also available to configure the Model 10XI to fit most applications. Among the standard accessories is a polarizer kit that allows for control of transmitted light in applications requiring the illumination of reflective materials.

Technical Specifications

Input power:	14 Watts
Input voltage (AC):	120 VAC; 60 Hz or 220 VAC; 50 Hz
Operating frequency:	25 kHz
Lamp output power:	13 Watts
Color temperature:	5100K (deluxe daylight)**
Lamp life:	Greater than 7,000 hours
Operating temperature:	32 to 104°F (0 to 40°C)
Humidity range:	0 to 80%; non-condensing
Agency approvals :	CE marked (all 220V units)

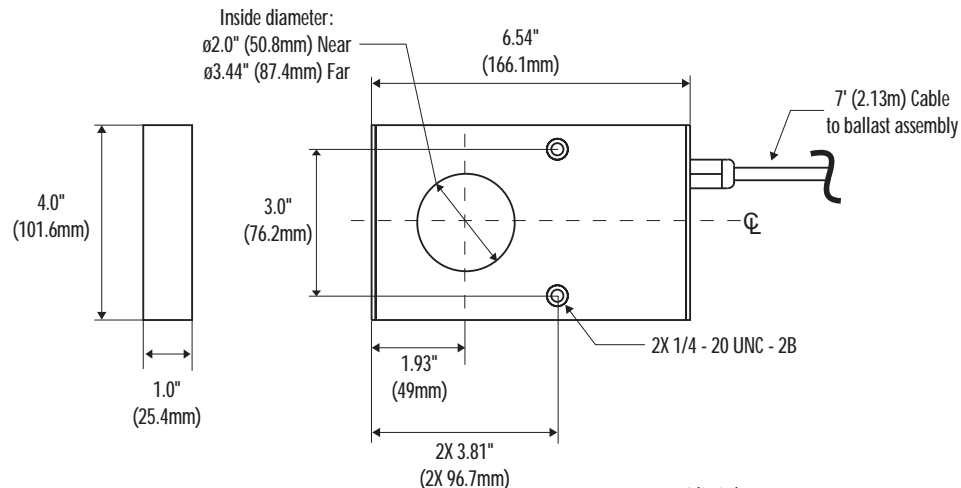
Lamp Type: Ø3" Circular Fluorescent (13 Watt)

973-320	White 3200K HC* (warm white)
973-420	White 4200K HC* (cool white)
973-510	White 5100K (deluxe daylight)**
973-550	White 5500K HC* (daylight)
973-365	Black Light Blue, UV (peak wavelength, 365nm)
973-450	Blue (peak wavelength, 450nm)
973-544	Green (peak wavelength, 544nm)
973-585	Yellow (peak wavelength, 585nm)
973-658	Red (peak wavelength, 658nm)

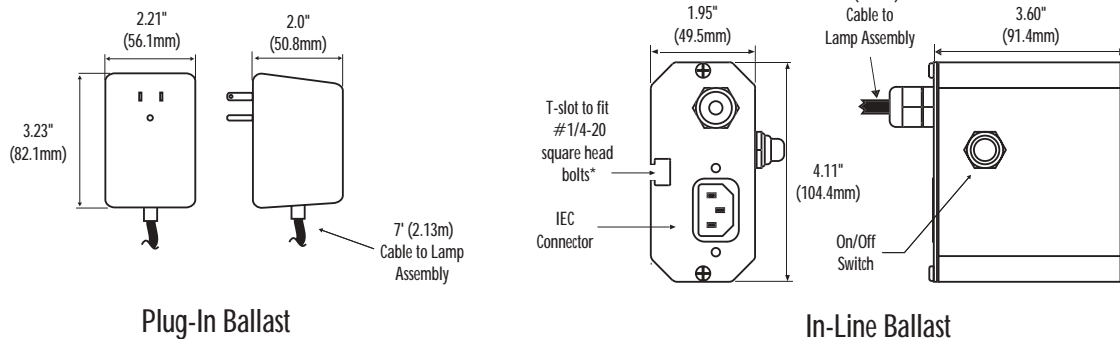
* HC indicates High Color Rendition
 ** Standard lamp provided

Dimensions

Lamp Assembly



Ballast Assembly



* In-line ballast is supplied with an 8ft (2.44m) IEC line cord.



StockerYale and the StockerYale logo are trademarks of StockerYale, Inc. All other brand and product names are trademarks or registered trademarks of their respective holders.

Copyright © September 2002 StockerYale, Inc. Printed in the USA
 All rights reserved. FL-020-01