



ILLUMINATION

Model 10 ESD CFVI Circular Fluorescent Vision Illuminator

HIGH FREQUENCY (25 KHZ) - LITE MITE™ SERIES

FEATURES:

- ESD safe properties include cable, lamp assembly and lamp treatment
- Dramatic cost savings over incandescent solutions
- 360° uniform, glare-free and shadow-free illumination
- 7,000 hours of lamp life
- Wide range of lamp options



StockerYale's Model 10 ESD CFVI (Circular Fluorescent Vision Illuminator) is a laboratory and industrial grade fluorescent lighting system powered by a high frequency (25 kHz) driver. It is designed to meet the increasingly stringent demands of static sensitive applications, such as Magneto-Resistive head assembly and inspection in the semiconductor industry. In most applications, the unit limits charge build-up to near zero volt levels from the driver to the light source.

The Model 10 ESD CFVI provides bright, flicker-free illumination for all application needs including assembly, inspection, imaging, closed circuit TV, microscopy and machine vision. The circular fluorescent lamp provides 360° of uniform, shadow-free and glare-free illumination on the specimen. This cool illumination minimizes eye fatigue in applications that require intricate differentiation of colors and details for prolonged periods of time.

The Model 10 ESD CFVI incorporates a lightweight polycarbonate housing, which stays cool to the touch and does not radiate heat to the illuminated area. Each illuminator is supplied with an adapter to fit virtually any microscope or camera type. Standard lamps are available in various white color temperatures, as well as black light blue (UV).

The Model 10 ESD CFVI is designed for maximum reliability in industrial environments. It features a wall mount plug-in ballast or a compact in-line ballast to conserve bench space in high volume manufacturing facilities. The materials and treatments ensure that all surfaces of the illumination system in the immediate working area are completely ESD safe and will maintain their dissipative properties.

TECHNICAL SPECIFICATIONS

| | |
|------------------------|--|
| Input power: | 14 Watts |
| Input voltage (AC): | 120 VAC or 220 VAC, 50/60 Hz |
| Operating frequency: | 25 kHz |
| Lamp output power: | 13 Watts |
| Color temperature: | 5100K (deluxe daylight)** |
| Lamp life: | Greater than 7,000 hours |
| Operating temperature: | 32 to 104°F (0 to 40°C) |
| Humidity range: | 0 to 80%; non-condensing |
| Lamp cleaning: | Mild soap and water solution (no solvents) |

| | |
|-------------------|---|
| Lamp Type: | Ø3.0" Circular Fluorescent (13 Watt) |
| 973-320E | White 3200K HC* (warm white) |
| 973-420E | White 4200K HC* (cool white) |
| 973-510E | White 5100K (deluxe daylight)** |
| 973-550E | White 5500K HC* (daylight) |
| 973-365E | Black Light Blue, UV (peak wavelength, 365nm) |

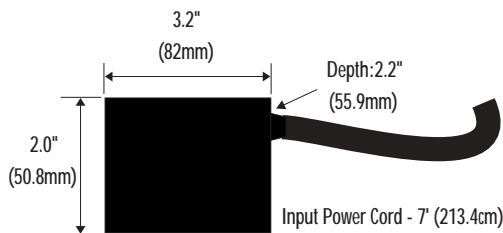
* HC indicates High Color Rendition

** Standard lamp provided

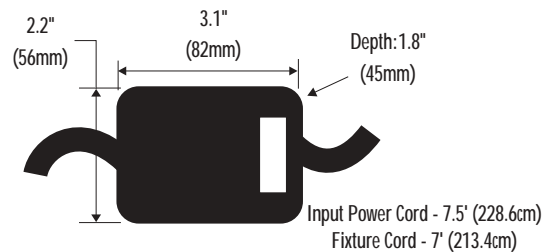
ESD SAFE PROPERTIES:

| PART | SURFACE RESISTIVITY |
|-----------------|----------------------|
| Lamp fixture | 10 ⁶ ohms |
| Fixture cabling | 10 ⁹ ohms |
| Lamp | 10 ⁹ ohms |

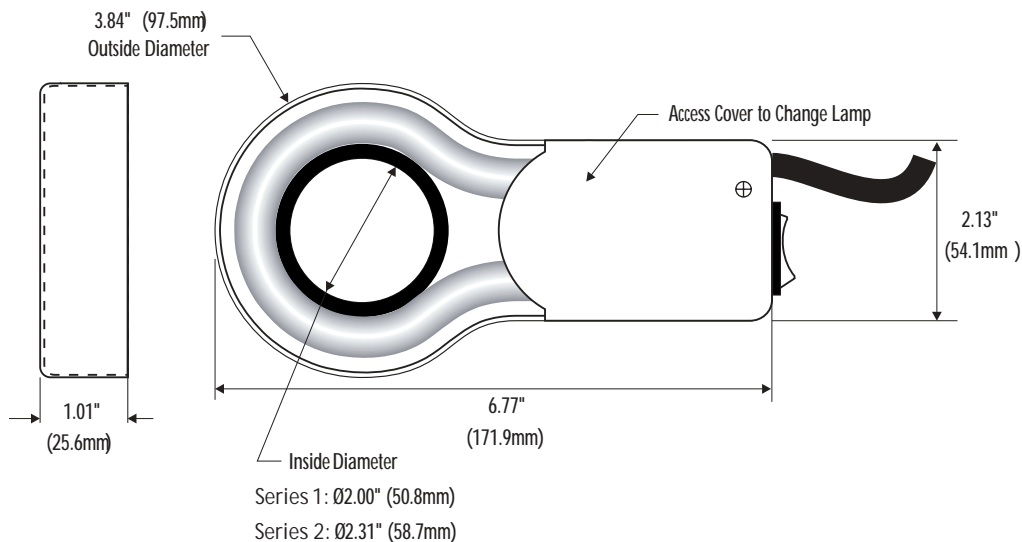
DIMENSIONS



Plug-In Ballast



In-Line Ballast



StockerYale and the StockerYale logo are trademarks of StockerYale, Inc. All other brand and product names are trademarks or registered trademarks of their respective holders.

Copyright © June 2002 StockerYale, Inc. Printed in the USA
All rights reserved. FL-003-02