



ILLUMINATION

Model 10 CFVI

Circular Fluorescent Vision Illuminator

HIGH FREQUENCY (25 KHZ) - LITE MITE™ SERIES

FEATURES:

- High frequency, 25 kHz driver for flicker-free illumination
- Uniform, glare-free and shadow-free illumination
- High light output and color rendition
- 7,000 hours of lamp life
- Wide range of lamp options
- Compact, lightweight housing
- Custom configurations available



StockerYale's Model 10 CFVI (Circular Fluorescent Vision Illuminator) is a laboratory and industrial grade fluorescent lighting system powered by a high frequency (25 kHz) driver. The Model 10 CFVI provides bright, flicker-free illumination for a variety of application needs including assembly, inspection, imaging, microscopy and machine vision. The circular fluorescent lamp provides 360° of uniform, shadow-free and glare-free illumination on the specimen. This cool illumination minimizes eye fatigue in applications that require intricate differentiation of colors and details for prolonged periods of time.

The Model 10 CFVI incorporates a lightweight polycarbonate housing, which stays cool to the touch and does not radiate heat to the illuminated area. Each illuminator is supplied with an adapter to fit virtually any microscope or camera type. Standard lamps are available in various white color temperatures, as well as black light blue (UV) and other wavelength specific colors.

A variety of optional accessories are available to configure the Model 10 CFVI to fit most applications. A polarizer kit is available to control the intensity of the transmitted light for applications requiring the illumination of reflective materials. ESD safe models are also available.

TECHNICAL SPECIFICATIONS

Input power:	14 Watts
Input voltage (AC):	120 VAC or 220 VAC, 50/60 Hz
Operating frequency:	25 kHz
Lamp output power:	13 Watts
Color temperature:	5100K (deluxe daylight)**
Lamp life:	Greater than 7,000 hours
Operating temperature:	32 to 104°F (0 to 40°C)
Humidity range:	0 to 80%; non-condensing
Agency approvals :	CE marked (all 220V units)

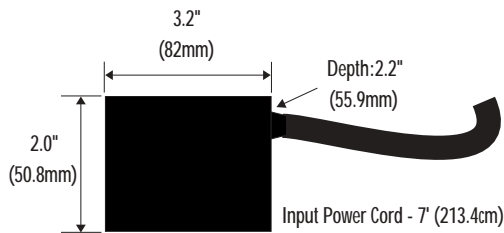
Lamp Type: \varnothing 3" Circular Fluorescent (13 Watt)

973-320	White 3200K HC* (warm white)
973-420	White 4200K HC* (cool white)
973-510	White 5100K (deluxe daylight)**
973-550	White 5500K HC* (daylight)
973-365	Black Light Blue, UV (peak wavelength, 365nm)
973-450	Blue (peak wavelength, 450nm)
973-544	Green (peak wavelength, 544nm)
973-585	Yellow (peak wavelength, 585nm)
973-658	Red (peak wavelength, 658nm)

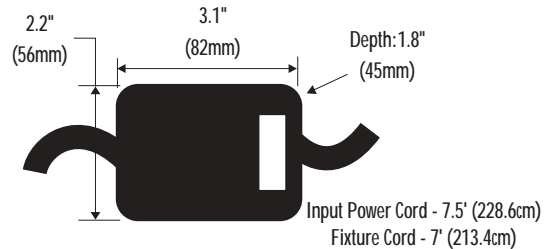
* HC indicates High Color Rendition

** Standard lamp provided

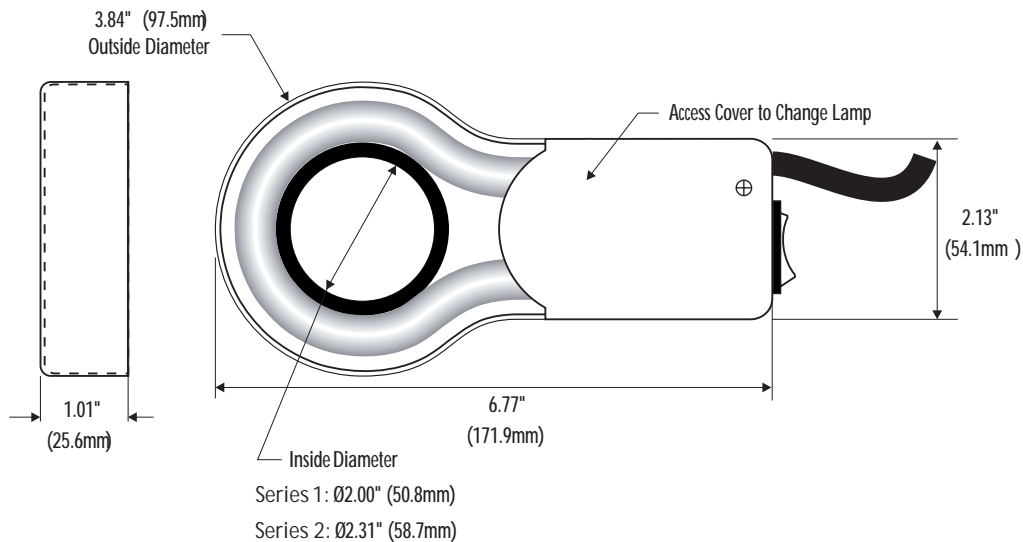
DIMENSIONS



Plug-In Ballast



In-Line Ballast



StockerYale and the StockerYale logo are trademarks of StockerYale, Inc. All other brand and product names are trademarks or registered trademarks of their respective holders.

Copyright © June 2002 StockerYale, Inc. Printed in the USA
All rights reserved. FL-002-02