

## NERLITE® MAXlite -75-LED Red

**Part Number:** RVA:010001702 MAXlite-75-LED Red Strobe  
 RVA:010001700 MAXlite-75-LED Red Continuous

**Product Description:** The MAXlite-75-LED (Multi-Axis Illuminator) is designed for applications requiring a combination of lighting geometries. Square Continuous Diffuse (SCDI®) and dark-field illumination are combined in one package with the MAXlite-75-LED. Integration is simplified through the use of a single lighting unit that employs multiple lighting techniques to address a variety of demanding applications. Integrate NER's Strobe Control Module (SCM) with the MAXlite-75-LED Red Strobe, or configure one of NER's continuous or variable intensity power supplies with the MAXlite-75-LED Red Continuous. When configured with a variable intensity supply, each light axis is individually adjustable by a potentiometer or controllable by the vision system through an analog input.

**Illumination:**

**Lighting Technique:** Multi-Axis (SCDI and DF ring)  
**Source Type:** Red LED  
**Spectrum:** 636 nm  
**Expected Life:** 60,000 hours  
**Light Delivery:** Diffused and Dark-field  
**Light Aperture:** 44.5 mm x 59.4 mm  
 (1.75 in. x 2.34 in.)  
**Suggested Field Of View:** 38 mm (1.5 in.)  
**Suggested Stand-Off:** 12 mm (0.47 in.)

**Mechanical:**

**L x W x H:** 161.8 mm x 139.7 mm x 102.9 mm  
 (6.37 in. x 5.50 in. 4.05 in.)  
**Mounting:** (4) M6  
**Weight:** 642 grams (23 oz.)  
**Housing Material:** Black Anodized Aluminum

**Environmental:**

**Max. Operating Humidity:** 95% non-condensing  
**Operating Temp.:** 40° C (104° F)  
**Storage Temp.:** 50° C (122° F)

**Electrical:**

**Input Voltage (max.):**

**12V Continuous Models** 12VDC  
**24V Strobe Models** 24VDC

**Input Current (max.):**

LED Color	Voltage	12VDC Cont.	24VDC Strobe
Red		2.2A	12.8 A pk.

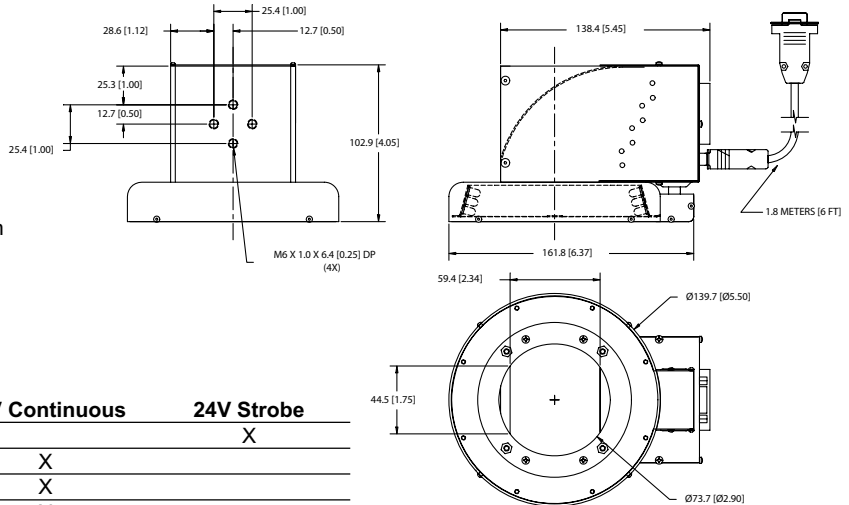
**Cable Length:**

**12V Continuous Models** 1.8 M (6 ft.)  
**24V Strobe Models** n/a (no cable provided; select from accessory list below)

**Connector:**

**CE Conformity:**

9 pin D-subminiature Male  
 Yes



**Accessories:**

Part #	Description	Models Used On:	12V Continuous	24V Strobe
RVA:010901900	SCM-2, Strobe Control Module			X
RVA:010500301	CPS-12 3.5A, 12VDC, US Cord		X	
RVA:010500303	CPS-12 3.5A, 12VDC, EU Cord		X	
RVA:010503500	VPS-II, Variable Power Supply, US Cord		X	
RVA:010503501	VPS-II, Variable Power Supply, EU Cord		X	
RVA:030003702	Extension Cable, Continuous, 1.8 M (6 ft.)		X	
RVA:030003703	Extension Cable, Continuous, 3.0 M (10 ft.)		X	
RVA:030018000	Cable, SCM-2 to MAXlite			X
RVA:030007006	Extension Cable, Strobe, 1.8 M (6 ft.)			X
RVA:030007010	Extension Cable, Strobe, 3.0 M (10 ft.)			X

**Cable Pinout:**

Model	Pin#	1	2	3	4	5	6	7	8	9
12V Continuous Models		FAN +12VDC	FAN GND	GND	RING +12VDC	SCDI +12VDC	n/a	n/a	n/a	n/a
24V Strobe Models		SCDI V-	n/a	n/a	SCDI +24VDC	RING +24VDC	RING V-	n/a	n/a	n/a