

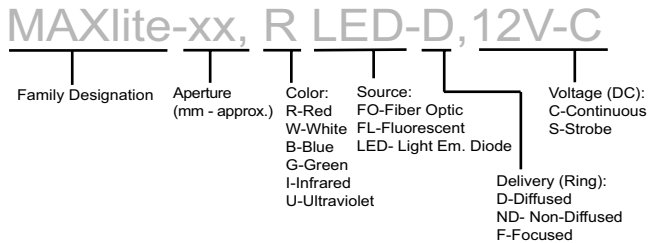
NERLITE® MAXlite®-50 LED

MAXlite-50 Multi-Axis Illuminators are designed for applications requiring a combination of lighting geometries. The MAXlite combines on-axis and dark field in one package, simplifying integration by allowing one lighting unit to address a variety of applications. MAXlites can be used with continuous or variable power supplies. With variable intensity, each axis is individually adjustable by a potentiometer or controllable by the vision system through an analog input.



Model #	Description
RVA:010002100	MAXlite-50, R LED-D, 12V-C, 6' cable
RVA:010002103	MAXlite-50, R LED-D, 24V-C
RVA:010002102	MAXlite-50, R LED-D, 24V-S
RVA:010008600	MAXlite-50, W LED-D, 12V-C

Description Key Example



Illumination & Electrical:

Lighting Technique: Multi-axis
Light Aperture: 50 mm x 50 mm (2 in. x 2 in.)
Field Of View x Stand-Off¹: 25.4 mm (1 in.) x 25.4 mm (1 in.)
Light Characteristics:

Source	Color (nm)	Exp. Life	Voltage/Current (max.)		
			12V-C	24V-C	24V-S
LED	Red (636)	60k hrs.	660 mA	300 mA	4.5 A Peak
LED	White – 6500 Kelvin	10k hrs.	730mA	n/a	n/a

¹Suggested

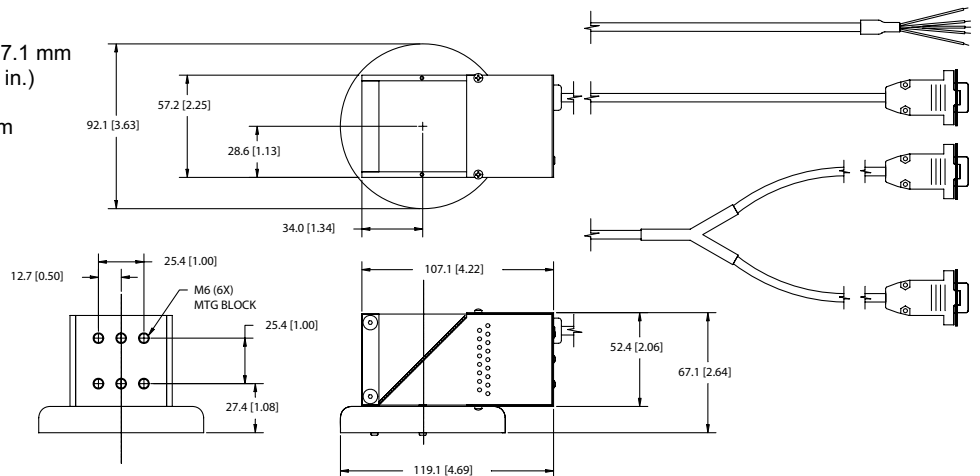
CE Conformity: Yes

Mechanical:

L x W x H (mm/in.): 119.1 mm x 92.1 mm x 67.1 mm (4.69 in. x 3.63 in. x 2.64 in.)
Mounting: (6) M6
Housing Material: Black Anodized Aluminum
Weight: 481 grams (17 oz.)

Environmental:

Max. Operating Humidity: 95% non-condensing
Operating Temp. 40°C (104°F)
Storage Temp. 50°C (122°F)



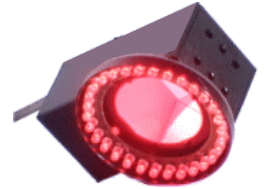
Cables/Connectors:

Connectors	Length	Pin#	1	2	3	4	5	6	7	8	9
RVA:010002100 RVA:010008600	9 pin D-sub Male	1.8 M (6 ft.)	+12VDC (Fan)	GND (Fan)	RING & DOAL GND	RING +12VDC	DOAL +12VDC	n/a	n/a	n/a	n/a
RVA:010002102	9 pin D-sub Male (x2)	#1-DOAL	1.8 M (6 ft.)	V-	n/a	n/a	+24VDC	n/a	n/a	n/a	n/a
		#2-RING	1.8 M (6 ft.)	n/a	n/a	n/a	n/a	+24VDC	V-	n/a	n/a
RVA:010002103	n/a (flying leads) ¹	4.5 M (15 ft.)									

¹Note: 24V-C Models w/"Flying Leads"; leads are labeled DOAL V+, RING V+, RING & DOAL GND, FAN V+ and FAN GND

NERLITE® MAXlite-50 Series Custom Models

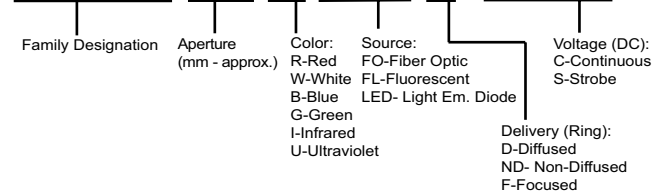
The **MAXlite-50-LED** (Multi-Axis Illuminator) is designed for applications requiring a combination of lighting geometries. MAXlite "plus" models use high intensity (660 nm) red LEDs in a non-diffused dark-field ring with LEDs mounted at 15°, other models employ 636 nm red LEDs in the dark-field ring set at 90°. Model RVA:010007600 also employs 660 nm high intensity red LEDs for on-axis lighting, while models RVA:010007601 and RVA:010002104 combine blue (470 nm) on-axis light with the the red dark field. All MAXlites provide on-axis and dark field light in one package, simplifying integration by allowing the use of a single lighting unit for a variety of demanding applications. The MAXlite can be used with a continuous power supply or a variable intensity power supply. With variable intensity, each axis is individually adjustable by a potentiometer or controllable by the vision system through an analog input.



Model #	Description
RVA:010007600	MAXlite-50 plus, R LED-ND, 12V-C, w/DB9
RVA:010007601	MAXlite-50 plus, R/B LED-ND, 12V-C, w/DB9
RVA:010002104	MAXlite-50, R/B LED-ND, 12V-C, w/DB9
RVA:010002106	MAXlite-50, R LED-D, 12V-C, w/Molex

Description Key Example

MAXlite-xx, R LED-D, 12V-C



Illumination & Electrical:

Lighting Technique: Multi-axis
Light Aperture: 50 mm x 50 mm (2 in. x 2 in.)
Field Of View x Stand-Off¹: 25.4 mm (1 in.) x 139.7 mm (5.5 in.)
Light Characteristics:

Model	Source	Color (nm)	Exp. Life	Voltage/Current (max.)	
				12V-C	
RVA:010007600	LED	Red+ (660)	50k hrs.	763 mA	
RVA:010007601	LED	Blue (470) Red+ (660)	50k hrs.	750 mA	
RVA:010002104	LED	Blue (470) Red (636)	50k hrs.	750 mA	
RVA:010002106	LED	Red (636)	60k hrs.	660 mA	

¹ Suggested

CE Conformity:

Yes

Mechanical:

L x W x H (mm/in.): 119.1 mm x 92.1 mm x 67.1 mm
(4.69 in. x 3.63 in. x 2.64 in.)

Mounting:

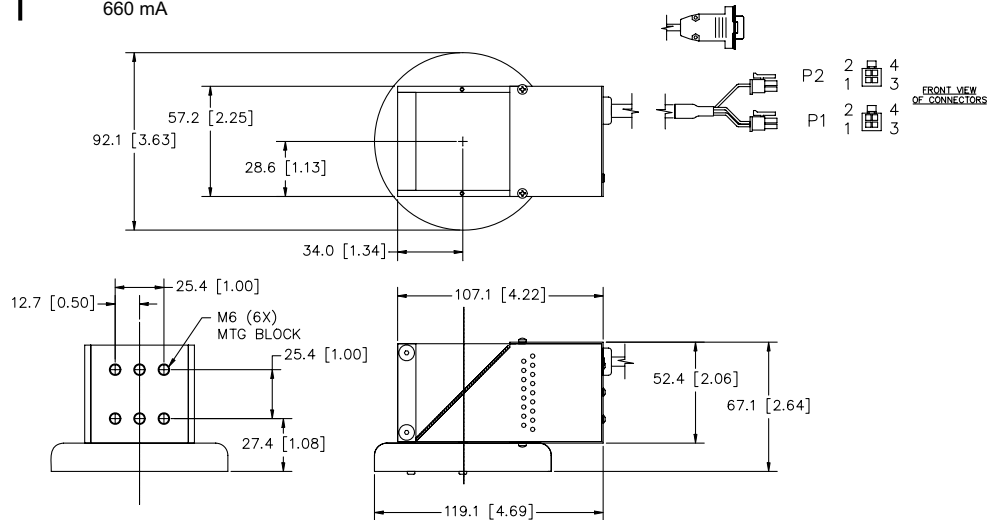
Housing Material: Black Anodized Aluminum
Weight: 481 grams (17 oz.)

Environmental

Max. Operating Humidity 95% non-condensing
Operating Temp. 40°C (104°F)
Storage Temp. 50°C (122°F)

Accessories:

Part #	Description	Used On
RVA:010502400	CPS-12 1.5A, 12VDC, US cord	Models w/DB9's
RVA:010502500	CPS-12 1.5A, 12VDC, EU cord	Models w/DB9's
RVA:010500301	CPS-12 3.5A, 12VDC, US Cord	Models w/DB9's
RVA:010500303	CPS-12 3.5A, 12VDC, EU Cord	Models w/DB9's
RVA:010502700	ICM-1, M/D, 12V-C	Models w/DB9's
RVA:010503500	VPS-II, Variable, US Cord	Models w/DB9's
RVA:010503501	VPS-II, Variable, EU Cord	Models w/DB9's
RVA:030003702	Ext. Cable, Continuous, 1.8 M (6 ft.)	Models w/DB9's
RVA:030003703	Ext. Cable, Continuous, 3.0 M (10 ft.)	Models w/DB9's
RVA:030003600	Y cable for 2-Lights, 9 pin D-sub Cont.	Models w/DB9's



Cables/Connectors:

	Length	Connector	Pin#	1	2	3	4	5	6	7	8	9
RVA:010007600/007601 RVA:010002104	1.8 M (6 ft.)	9 pin D-sub Male		+12VDC (Fan)	GND (Fan)	GND	+12VDC (RING)	+12VDC (DOAL)	n/a	n/a	n/a	n/a
RVA:010002106	0.7 M (28 in.)	4-Position MOLEX (x 2)	P1	SHIELD	GND (DOAL)	n/c	+12VDC (DOAL/RING)					
			P2	n/c	GND (RING)	GND (Fan)	+12VDC (Fan)					