

NERLITE® LALL™- 22x288 Large Area LED Lights Custom Models

Description: LALL™- 22x288 Large Area LED Lights deliver very high intensity, non-diffused area illumination to flood large (≥12" square) areas with light. Their enclosures are designed for NEMA 4X and IP-64 compliance to address applications where equipment wash down is a requirement. LALL-22x288 units are passively cooled (no fans) for quiet, non-disruptive operation. Their side-exit power cable enables end-to-end mounting of multiple units for coverage of very wide fields of view.

Applications: Dark-field (creating shadows and reflection) or bright-field lighting for diffused surfaces; Illumination of large areas for robot guidance; Food processing and packaging; Package sorting; Clean room illumination.

Model #	Description
RVA:010654902	LALL-22X288, R1LED-ND10, CC, 3M (9.8') AMP Connector Cbl.
RVA:010655903	LALL-22X288, R1LED-ND, CC, 3M (9.8') Flying Leads Cbl, No Lenses
RVA:010654909	LALL-22X288, R1LED-ND50, CC, 3M (9.8') Flying Leads Cbl.
RVA:010655904	LALL-22X288, R1LED-ND/P10, CC, 3M (9.8') Flying Leads Cbl.
RVA:010654912	LALL-22X288, W1LED-ND10, CC, 3M (9.8') AMP Connector Cbl.
RVA:010654914	LALL-22X288, W1LED-ND10, CC, 10M (32.8') Flying Leads Cbl.
RVA:010655913	LALL-22X288, W1LED-ND, CC, 3M (9.8') Flying Leads Cbl, No Lenses
RVA:010655914	LALL-22X288, W1LED-ND/P10, CC, 3M (9.8') Flying Leads Cbl.
RVA:010654923	LALL-22X288, B1LED-ND10, CC, 3M (9.8') Flying Leads Cbl.
RVA:010654943	LALL-22X288, C1LED-ND10, CC, 3M (9.8') Flying Leads Cbl.
RVA:010654933	LALL-22X288, G1LED-ND10, CC, 3M (9.8') Flying Leads Cbl.

Description Key Example

LALL-00x00, RxLED-NDxx, CC

Family Designation	Array Size Length (mm) - LED Rows	Color: R-Red W-White B-Blue G-Green C-Cyan A-Amber	Source: x(Watt) LEDs	LED Lens (degrees)	Power Source: CC-Current Control

Light Delivery:
D-Diffused
ND- Non-Diffused
F-Focused
P-Polarized

Illumination & Electrical:

Lighting Technique:

Area Array
22mm x 288 mm
(0.8 in. x 11.3 in.)

Light Characteristics:

Source	Color (nm)	Exp. Life	Max. Current ^{1,3}	
			Continuous	Strobe ^{2,3}
LED	Red (627)	50k hrs.	0.7A	1.0A peak
LED	Cyan (505)	50k hrs.	0.7A	0.95A peak
LED	Green (530)	50k hrs.	0.7A	0.95A peak
LED	Blue (470)	50k hrs.	0.7A	0.95A peak
LED	White - 5500 Kelvin	50k hrs.	0.7A	0.95A peak

¹ When using PPxxx Controllers, controller supply voltage must be at least 1 volt higher than load voltage of light.

² 21.0 VDC for red models; 24.0 VDC for white, blue, green and cyan models.

³ Maximum pulse width = 1ms, maximum frequency = 60Hz

³ Exceeding max. current, pulse width or frequency voids product warranty.

CE Conformity:

Pending

Environmental:

Max. Operating Humidity

95% non-condensing

Operating Temp.

40°C (104°F)

Storage Temp.

50°C (122°F)

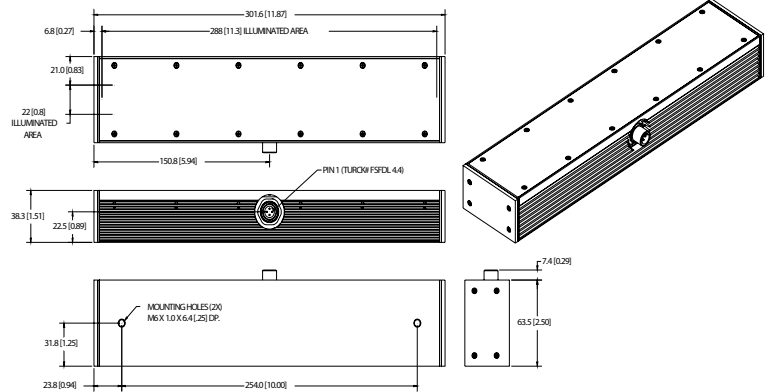
Installation Options:¹

Part #	Description	Used on Models
RVA:010503300	PP600 2 Chnl Current Controller, Push Button ²	w/Flying Leads
RVA:010503301	PP610 2 Chnl Current Controller, PB & RS232 ²	w/Flying Leads
RVA:010503801	LC-50, 0.7A CC Dvr, 24VDC, Fixed Output ²	w/Flying Leads
RVA:010503851	LC-100, 0.7A CC Dvr, 24VDC, Variable Output ²	w/Flying Leads
RVA:010501402	CPS-24, 2.2A 24VDC Power Supply, US cord	PP6xx, LC-50/100
RVA:010501401	CPS-24, 2.2A 24VDC Power Supply, EU cord	PP6xx, LC-50/100
RVA:010503401	CCPS, 0.7A CC Dvr, 110VAC US, Fixed Output ³	w/AMP Connector
RVA:010503403	CCPS, 0.7A CC Dvr, 230VAC EU, Fixed Output ³	w/AMP Connector

¹ Constant Current (CC) driver or controller required; choose one from above.

² CC drivers & controllers require a DC power supply; choose one from above.

³ CCPS (model #s RVA:01050340x) is suitable for use in operator based visual inspection applications only. CCPS is not recommended for machine vision applications due to output fluctuations (ripple) imperceptible to the eye but detected in some machine vision applications.



Mechanical:

L x W x H (mm/in.):

301.6 mm x 70.9 mm x 38.3 mm
(11.87 in. x 2.79 in. x 1.51 in.)

Mounting:

Housing Material:

2 M6 x 1.0 x 6.4 (.25") deep

Weight:

Black Anodized Aluminum
1.03 kgs. (2.27 lbs.)

Cables/Connectors:

Models	Cable #	Length	Connector	Lead/Pin #1	Lead/Pin #2
w/AMP Conn.	RVA:030023102 ¹	3.0 M (9.8 ft.)	AMP 173977-2	V+	V-
RVA:010654914	RVA:030023105 ¹	10.0 M (32.8 ft.)	n/a : Flying Leads	V+	V-
All Others	RVA:030023103 ¹	3.0 M (9.8 ft.)	n/a : Flying Leads	V+	V-

¹ Detachable; supplied with light

