

## NERLITE® COAL-25-FO

**Part Number:** RVA:010203800

**Product Description:** The COAL-25-FO provides collimated illumination in the same optical path as the camera. The COAL is designed for applications requiring co-axial bright light. Requires fiberoptic light source and light guide.

**illumination:**

**Lighting Technique:** Collimated On-Axis  
**Source Type:** Fiber Optic  
**Spectrum:** Dependent upon source  
**Light Delivery:** Direct  
**Light Aperture:** 25 mm x 25 mm (1 in. x 1 in.)  
**Suggested Field Of View:** 12 mm (0.5 in.)  
**Suggested Stand-Off:** 12 mm (0.5 in.)

**Mechanical:**

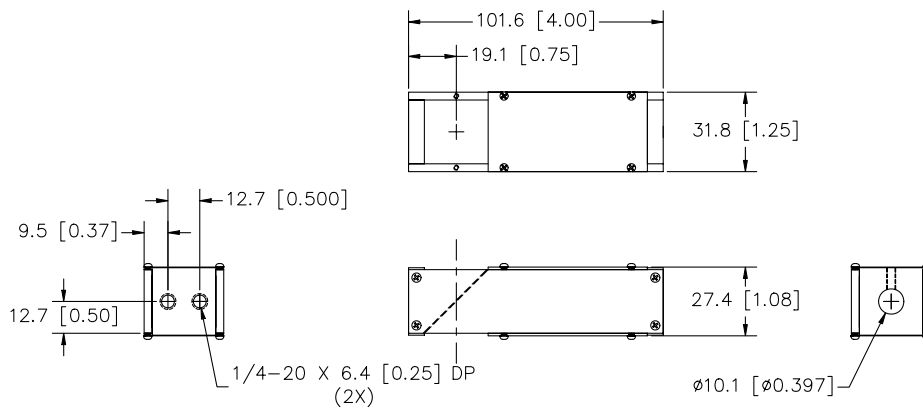
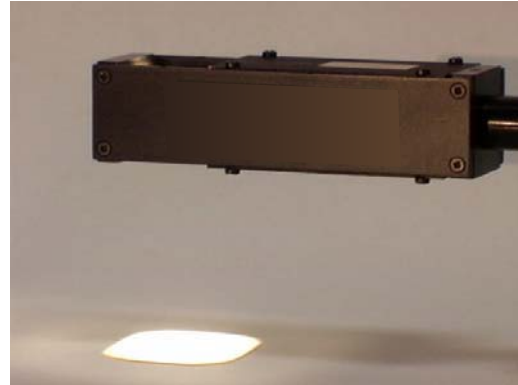
**L x W x H:** 101.6 mm x 31.8 mm x 27.4 mm  
 (4.00 in. x 1.25 in. x 1.08 in.)  
**Mounting:** (2) ¼-20  
**Housing Material:** Black Anodized Aluminum  
**Weight:** 82 grams (3 oz.)  
**Accepts Ferrule Ø:** 0.393 1 Leg Bundle

**Environmental:**

**Max. Operating Humidity:** 95% non-condensing  
**Operating Temp.:** 40°C (104°F)  
**Storage Temp.:** 50°C (122°F)

**Accessories:**

Part Number	Description
RVA:238000500	LG-1, Single bundle light guide
RVA:238001000	CS-1, AC Light source
RVA:238001100	CS-2, DC Regulated light source



## NERLITE® COAL-50-FO

**Part Number:** RVA:010204500

**Product Description:** The COAL-50-FO provides collimated illumination in the same optical path as the camera. The COAL is designed for applications requiring co-axial bright light. Requires fiberoptic light source and light guide.

**illumination:**

**Lighting Technique:** Collimated, On-Axis  
**Source Type:** Fiber Optic  
**Spectrum:** Dependent upon source  
**Light Delivery:** Direct  
**Light Aperture:** 50 mm x 50 mm (2 in. x 2 in.)  
**Suggested Field Of View:** 25 mm (1 in.)  
**Suggested Stand-Off:** 12 mm (0.5 in.)

**Mechanical:**

**L x W x H:** 146.1 mm x 57.2 mm x 52.8 mm  
 (5.75 in. x 2.25 in. x 2.08 in.)  
**Mounting:** (6) M6  
**Housing Material:** Black Anodized Aluminum  
**Weight:** 411 grams (0.9 lbs.)  
**Accepts Ferrule Ø:** 0.393 Single Leg Bundle

**Environmental:**

**Max. Operating Humidity:** 95% non-condensing  
**Operating Temp.:** 40°C (104°F)  
**Storage Temp.:** 50°C (122°F)

**Accessories:**

Part Number	Description
RVA:238000500	LG-1, Single bundle light guide
RVA:238001000	CS-1, AC light source
RVA:238001100	CS-2, DC regulated light source

