

## NERLITE® CDI®-150/25-LED Red

Part Number: RVA:010251500

Product Description: The CDI-150/25-LED (Cloudy Day Illuminator®), is ideal for illuminating uneven specular surfaces. The CDI provides outstanding uniformity, up to ±10% maximum deviation within the field of view.

**Illumination:**

Lighting Technique: Continuous Diffuse  
 Source Type: Red LED  
 Spectrum: 636 nm  
 Expected Life: 60,000 hours  
 Light Delivery: Diffused  
 Light Aperture: 150 mm (5 in.)  
 Suggested Field Of View: 25 mm (1 in.)  
 Suggested Stand-Off: 12mm (0.5 in.)



**Electrical:**

Input Voltage: 12VDC  
 Input Current: 1.2A  
 Cable Length: 1.8 M (6 ft.)<sup>1</sup>  
 Connector: 9 pin D-sub male<sup>1</sup>  
 CE Conformity: Pending

**Mechanical:**

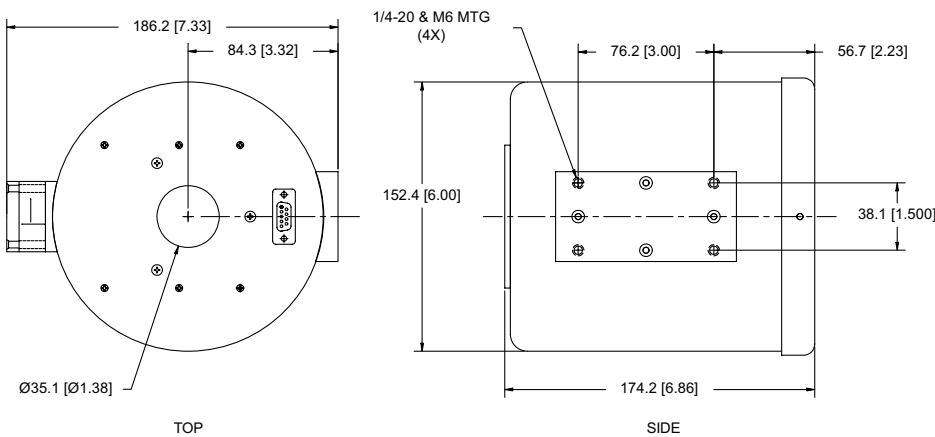
L x W x H: 186.2 mm x 152.4 mm x 174.2 mm  
 (7.33 in. x 6.00 in. x 6.86 in.)  
 Mounting: (4) ¼-20 & M6  
 Housing Material: Black Anodized Aluminum  
 Weight: 1141 grams (2.5 lbs.)

**Accessories:**

Part Number	Description
RVA:030003702	Ext. Cable, Cont., 1.8 M (6 ft.)
RVA:030003703	Ext. Cable, Cont., 3.0 M (10 ft.)
RVA:010503500	VPS-II, 2 Ch. Variable PS, US Cord
RVA:010503501	VPS-II, 2 Ch. Variable PS, EU Cord

**Environmental:**

Max. Operating Humidity: 95% non-condensing  
 Operating Temp.: 40°C (104°F)  
 Storage Temp.: 50°C (122°F)



**Cable Pinout:** <sup>1</sup>

Model	Pin#	1	2	3	4	5	6	7	8	9
12V Continuous Models		+12VDC (Fan)	GND (Fan)	GND (Ring/DOAL)	+12VDC (Ring)	+12VDC (DOAL)	n/a	n/a	n/a	n/a

<sup>1</sup> Cable/connector specs reference detachable power cable (NER model # RVA:030000500) included with unit.

## NERLITE® CDI®-200/75-LED

**Part Number:** RVA:010252000

**Product Description:** The CDI-200/75-LED (Cloudy Day Illuminator®), is ideal for illuminating uneven specular surfaces. The CDI® provides outstanding uniformity, up to ±10% maximum deviation within the field of view.

**Illumination:**

**Lighting Technique:** Continuous Diffuse  
**Source Type:** Red LED  
**Spectrum:** 636 nm  
**Expected Life:** 60,000 hours  
**Light Delivery:** Diffused  
**Light Aperture:** 132 mm (5.2 in.)  
**Suggested Field Of View:** 75 mm (3 in.)  
**Suggested Stand-Off:** 25.4 mm (1in.)



**Electrical:**

**Input Voltage:** 12VDC  
**Input Current:** 2.2A  
**Cable Length:** 1.8 M (6 ft.)<sup>1</sup>  
**Connector:** 9 pin D-sub male<sup>1</sup>  
**CE Conformity:** Yes

**Mechanical:**

**Diameter x H:** 206.3 mm x 153.2 mm  
 (8.12 in x 6.03 in.)  
**Mounting:** (4x) 1/4-20  
**Housing Material:** Black Anodized Aluminum  
**Weight:** 1597 grams (3.5 lbs.)

**Accessories:**

Part Number	Description
RVA:030-003702	Ext. Cable, Cont., 1.8 M (6 ft.)
RVA:030-003703	Ext. Cable, Cont., 3.0 M (10 ft.)
RVA:010-503500	VPS-II, 2 Ch. Variable PS, US Cord
RVA:010-503501	VPS-II, 2 Ch. Variable PS, EU Cord

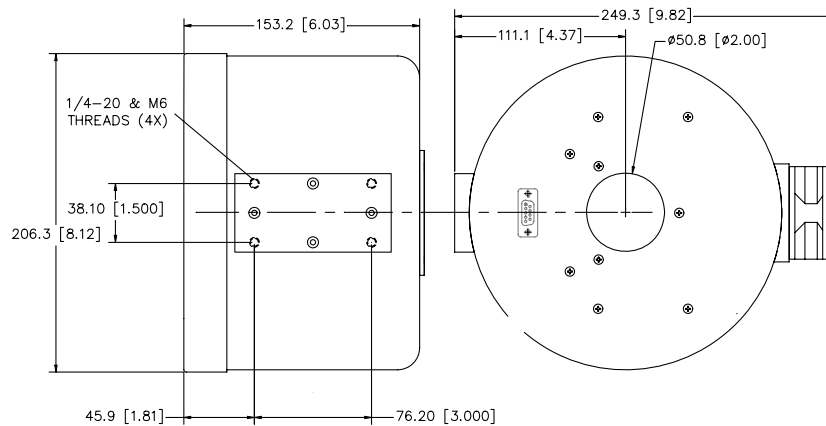
**Environmental:**

**Max. Operating Humidity:** 95% non-condensing  
**Operating Temp.:** 40°C (104°F)  
**Storage Temp.:** 50°C (122°F)

**Cable Pinout:**<sup>1</sup>

Model	Pin#	1	2	3	4	5	6	7	8	9
12V Continuous Models		+12VDC (Fan)	GND (Fan)	GND (Ring/DOAL)	+12VDC (Ring)	+12VDC (DOAL)	n/a	n/a	n/a	n/a

<sup>1</sup> Cable/connector specs reference included extension cable.



## NERLITE® CDI®-175/125-FO

**PART NUMBER:** RVA:010250200

**Product Description:** The CDI-175/125-FO (Cloudy Day Illuminator®) is optimized for illuminating flat, specular surfaces. The CDI provides outstanding uniformity, up to  $\pm 10\%$  maximum deviation within the field of view. The unit requires a fiber optic light source.



**Illumination:**

**Lighting Technique:** Continuous Diffuse  
**Source Type:** Fiber Optic  
**Spectrum:** Source dependent  
**Light Delivery:** Diffused  
**Camera (top) Aperture:** 51.6 mm (2.03 in.)  
**Light (bottom) Aperture:** 130 mm (5.25 in.)  
**Suggested Field Of View:** 120 mm (5 in.)  
**Suggested Stand-Off:** 12 mm (0.5 in.)

**Mechanical:**

**L x W x H:** 282.6 mm x 174.6 mm x 185.7 mm  
 (11.12 in x 6.87 in. x 7.31 in.)

**Mounting:**

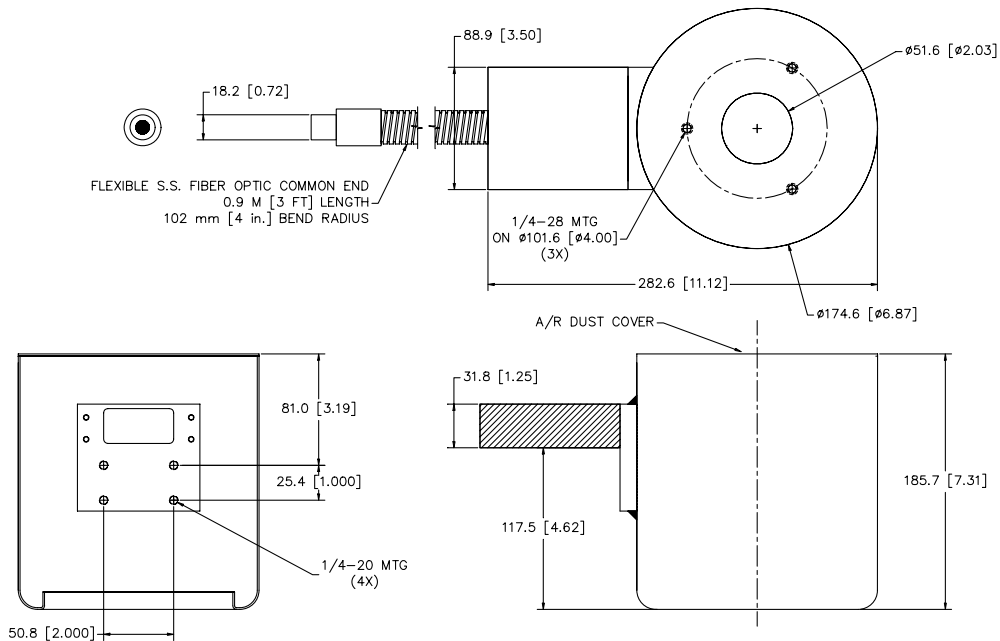
**Housing Material:** Black Anodized Aluminum  
**Weight:** 3.1 kg (6.8 lbs.)  
**Accepts Ferrule Ø:** 18.2 mm (0.72 in.)

**Accessories:**

Part Number	Description
RVA:238001000	CS-1, AC Light source
RVA:238001100	CS-2, DC Regulated light source

**Environmental:**

**Max. Operating Humidity:** 95% non-condensing  
**Operating Temp.:** 40°C (104°F)  
**Storage Temp.:** 50°C (122°F)



## NERLITE® CDI®-225-FO

**Part Number:** RVA:010250401

**Product Description:** The CDI-225-FO (Cloudy Day Illuminator®), is ideal for illuminating uneven specular surfaces. The CDI provides outstanding uniformity, up to  $\pm 10\%$  maximum deviation within the field of view. The unit requires two fiber optic sources.

**Illumination:**

**Lighting Technique:** Continuous Diffuse  
**Source Type:** Fiber Optic  
**Spectrum:** Source dependent  
**Light Delivery:** Diffused  
**Light Aperture:** 254 mm x 254 mm  
 (10 in. x 10 in.)  
**Suggested Field Of View:** 229 mm (9 in.)  
**Suggested Stand-Off:** 30 mm (1.2 in.)

**Mechanical:**

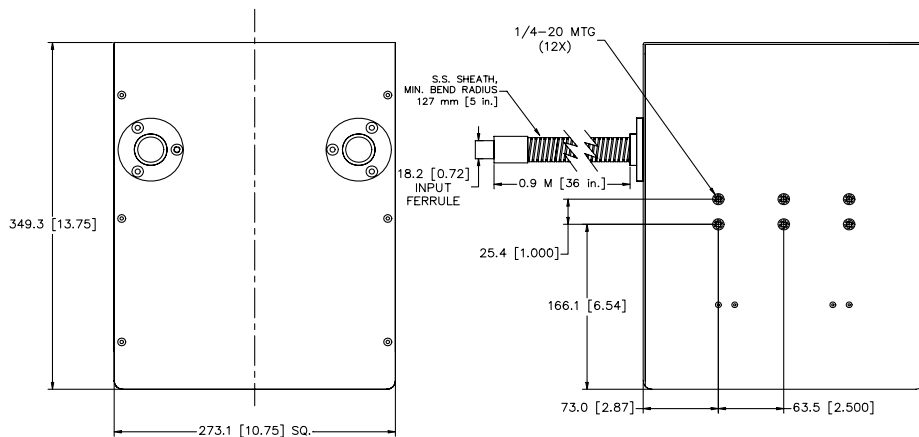
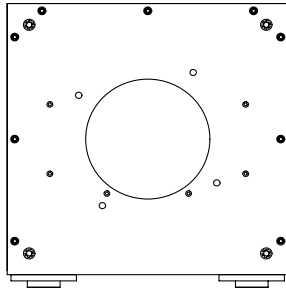
**L x W x H:** 273.1 mm x 273.1 mm x 349.3 mm  
 (10.75 in. x 10.75 in. x 13.75 in.)  
**Mounting:** (12) ¼-20  
**Housing Material:** Black Anodized Aluminum  
**Weight:** 11.34 kg (25.0 lbs.)  
**Input Ferrule:** (2) 18.2 mm (0.72 in.) diameter  
**FO Bundle Length:** 0.9 M (36.0 in.)

**Environmental:**

**Max. Operating Humidity:** 95% non-condensing  
**Operating Temp.:** 40°C (104°F)  
**Storage Temp.:** 50°C (122°F)

**Accessories:**

Part Number	Description
RVA:238001000	CS-1, AC Light source
RVA:238001100	CS-2, DC Regulated light source



## NERLITE® CDI®-300-FO

**Part Number:** RVA:010253100

**Product Description:** The CDI-300-FO (Cloudy Day Illuminator®), is ideal for illuminating uneven specular surfaces. The CDI provides outstanding uniformity, up to  $\pm 10\%$  maximum deviation within the field of view. The unit requires two fiber optic sources.

**Illumination:**

**Lighting Technique:** Continuous Diffuse  
**Source Type:** Fiber Optic  
**Light Delivery:** Diffused  
**Light Aperture:** 200 mm x 350 mm  
 (8 in. x 14 in.)  
**Suggested Field Of View:** 150 mm x 255 mm  
 (6 in. x 10 in.)  
**Suggested Stand-Off:** 25 mm (1 in.)

**Environmental:**

**Max. Operating Humidity:** 95% non-condensing  
**Operating Temp.:** 40°C (104°F)  
**Storage Temp.:** 50°C (122°F)

**Mechanical:**

**L x W x H:** 490.5 mm x 336.6 mm x 422.1 mm  
 (19.31 in x 13.25 in. x 16.62 in.)

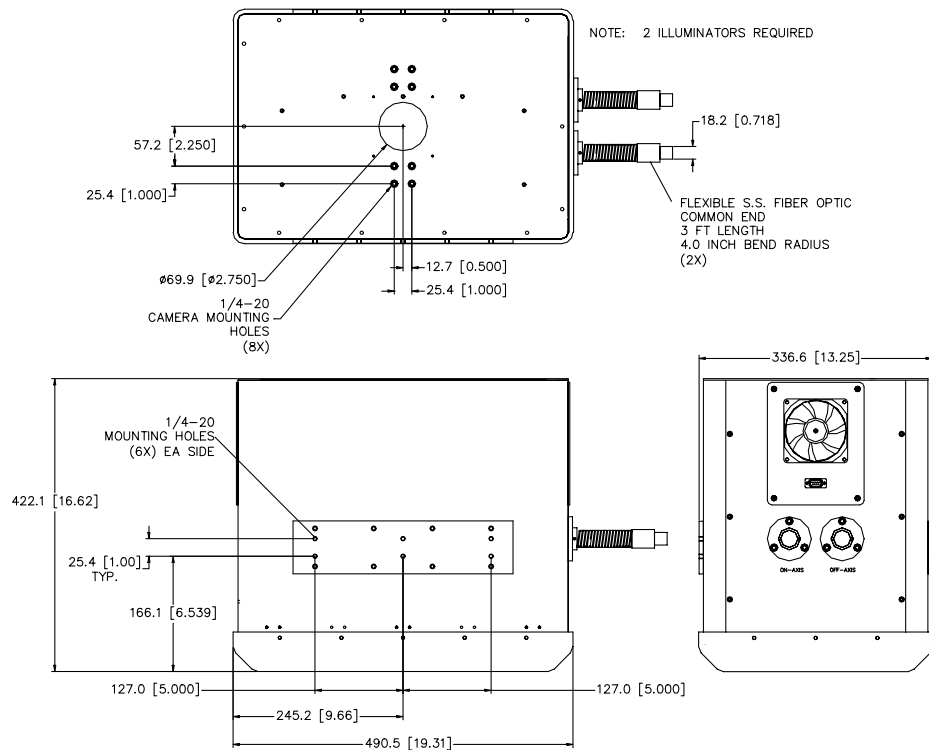
**Mounting:** (6) 1/4-20 both sides  
**Housing Material:** Black Anodized Aluminum  
**Weight:** 11.34 kg (25 lbs.)  
**Accepts Ferrule (2) Ø:** 0.718 in.

**Connector Pinout** (9-pin D-subminiature, Female)

Pin #	Signal
1	Fan +12VDC, 225mA
2	Fan GND

**Accessories:**

Part Number	Description
RVA:238001000	CS-1, AC Light Source
RVA:238001100	CS-2, DC Regulated Light Source



## NERLITE® CDI®-300-FO, 4 Camera

**Part Number:** RVA:010253104

**Product Description:** The CDI-300-FO (Cloudy Day Illuminator®), is ideal for illuminating uneven specular surfaces. The CDI provides outstanding uniformity, up to ±10% maximum deviation within the field of view. This unit is configured to allow 4 cameras to image the illuminated area. The unit requires two fiber optic sources.

**Illumination:**

**Lighting Technique:** Continuous Diffuse  
**Source Type:** Fiber Optic  
**Light Delivery:** Diffused  
**Light Aperture:** 200 mm x 350 mm  
 (8 in. x 14 in.)  
**Suggested Field Of View:** 150 mm x 255 mm  
 (6 in. x 10 in.)  
**Suggested Stand-Off:** 25 mm (1 in.)

**Mechanical:**

**L x W x H:** 490.5 mm x 336.6 mm x 422.1 mm  
 (19.31 in x 13.25 in. x 16.62 in.)  
**Mounting:** (6) 1/4-20 both sides  
**Housing Material:** Black Anodized Aluminum  
**Weight:** 11.34 kg (25 lbs.)  
**Accepts Ferrule (2) Ø:** 0.718 in.

**Environmental:**

**Max. Operating Humidity:** 95% non-condensing  
**Operating Temp.:** 40°C (104°F)  
**Storage Temp.:** 50°C (122°F)

**Connector Pinout** (9-pin D-subminiature, Female)

Pin #	Signal
1	Fan +12VDC, 225mA
2	Fan GND

**Accessories:**

Part Number	Description
RVA:238001000	CS-1, AC Light Source
RVA:238001100	CS-2, DC Regulated Light Source

