

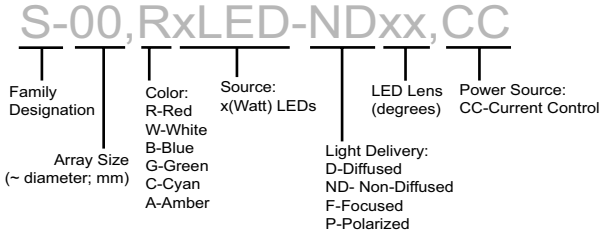
## NERLITE® S-20 Series Area Array Illuminators

**Description:** S-20 Area Arrays employ a round or 'spot' design providing light from a specific direction onto the field of view. The direction of the illumination is dependent upon the mounting position.

**Applications:** S-20 Series modules may be used as dark-field (creating shadows and specular reflection), as bright-field (for diffused surfaces), or as backlighting when configured with a diffuser.

Model #	Description
RVA:010656003	S-20, R 1LED-ND10, CC, 2 M (6.6 ft.) Flying Leads Cbl.
RVA:010656013	S-20, W 3LED-ND10, CC, 2 M (6.6 ft.) Flying Leads Cbl.

Description Key Example



### Illumination & Electrical:

**Lighting Technique:** Bright or Dark-field  
**Light Output Area:** 22.5 mm (0.89 in.)  
**Light Characteristics:**

Source	Color (nm)	Exp. Life	Max. Current <sup>1,3</sup>	
			Continuous	Strobe <sup>2,3</sup>
LED	Red (625)	50k hrs.	350 mA	0.5 A pk.
LED	White – 5500 Kelvin	50k hrs.	700 mA	1.0 A pk.

<sup>1</sup> When using PPxx Controllers, controller supply voltage must be at least 1 volt higher than load voltage of light.

<sup>2</sup> 3.51 VDC for red models; 4.47 VDC for white models.

<sup>3</sup> Maximum pulse width = 1ms, maximum frequency = 60Hz

<sup>3</sup> Exceeding max. current, pulse width or frequency voids product warranty.

**CE Conformity:** TBD

### Mechanical:

**OD x H (mm/in.):** 38.1mm x 34.8 mm  
(1.50 in. x 1.37 in.)

**Mounting:** (2) M6 X 9.6 (.38 in.) Deep

**Housing Material:** Blue Anodized Aluminum

**Weight:** 90.7 grams (3.2 oz.)

### Cables;/Connectors:

Models	w/Flying Leads
Length	2.0 M (6.6 ft.)
Connector	n/a, Flying Leads
Lead# 1	V+
Lead# 2	V-

### Environmental:

**Max. Operating Humidity**

95% non-condensing

**Operating Temp.**

40°C (104°F)

**Storage Temp.**

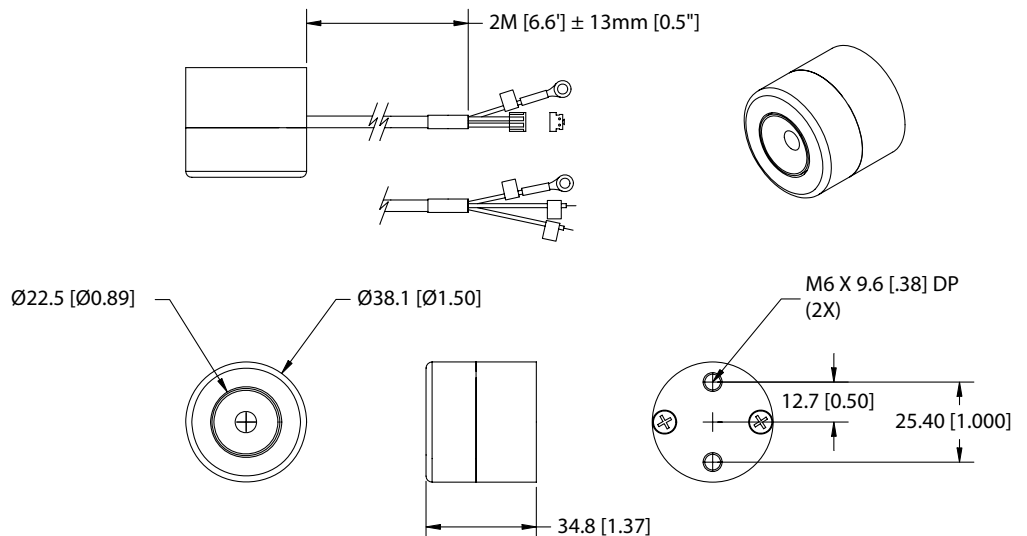
50°C (122°F)

### Installation Options:<sup>1</sup>

Part #	Description	Used on Models
RVA:010503800	LC-50, 0.35A CC Drvr, 24VDC, Fixed Output <sup>2</sup>	w/Flying Leads
RVA:010503801	LC-50, 0.7A CC Drvr, 24VDC, Fixed Output <sup>2</sup>	w/Flying Leads
RVA:010503850	LC-100, 0.35A CC Drvr, 24VDC, Variable Output <sup>2</sup>	w/Flying Leads
RVA:010503851	LC-100, 0.7A CC Drvr, 24VDC, Variable Output <sup>2</sup>	w/Flying Leads
RVA:010503300	PP600, 2 Chnl. CC Cntrl, 24VDC, Push Button <sup>2</sup>	w/Flying Leads
RVA:010503301	PP610, 2 Chnl. CC Cntrl, 24VDC, PB/RS232 <sup>2</sup>	w/Flying Leads
RVA:010501402	CPS-24, 2.2A 24VDC Power Supply, US Cord	PP6xx, LC-50/100
RVA:010501401	CPS-24, 2.2A 24VDC Power Supply, EU Cord	PP6xx, LC-50/100

<sup>1</sup> Constant Current (CC) driver or controller required; choose one from above.

<sup>2</sup> LC-xxx and PP6xx CC drivers & controllers require a DC power supply; choose one from above.



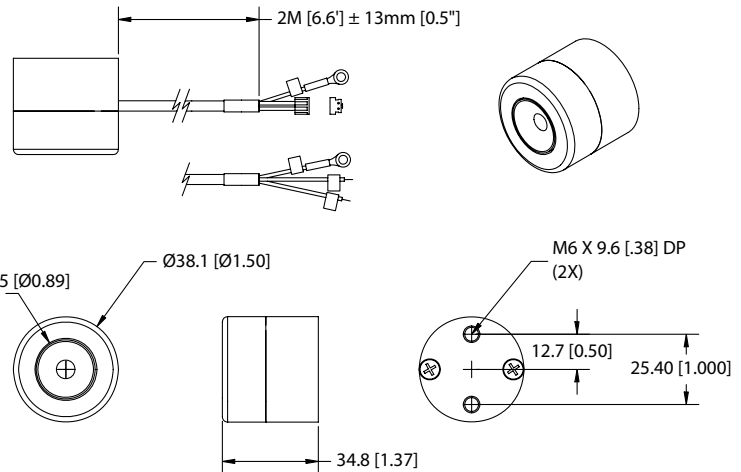
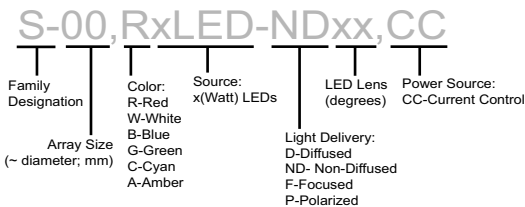
## NERLITE® S-20 Series Custom Models

**Description:** S-20 Area Arrays employ a round or 'spot' design providing light from a specific direction onto the field of view. The direction of the illumination is dependent upon the mounting position.

**Applications:** S-20 Series modules may be used as dark-field (creating shadows and specular reflection), as bright-field (for diffused surfaces), or as backlighting when configured with a diffuser.

Model #	Description
RVA:010656002	S-20, R1LED-ND10, CC, 2 M (6.6 ft.) AMP Connector Cbl.
RVA:010656004	S-20, R1LED-ND10, CC, 4.5 M (15 ft.) Flying Leads Cbl.
RVA:010656012	S-20, W3LED-ND10, CC, 2 M (6.6 ft.) AMP Connector Cbl.
RVA:010656032	S-20, G3LED-ND10, CC, 2 M (6.6 ft.) AMP Connector Cbl.
RVA:010656033	S-20, G3LED-ND10, CC, 2 M (6.6 ft.) Flying Leads Cbl.
RVA:010656023	S-20, B3LED-ND10, CC, 2 M (6.6 ft.) Flying Leads Cbl.

Description Key Example



### Illumination & Electrical:

**Lighting Technique:**

Bright or Dark-field  
22.5 mm (0.89 in.)

**Light Output Area:**

**Light Characteristics:**

Source	Color (nm)	Exp. Life	Max. Current <sup>1,3</sup>	
			Continuous	Strobe <sup>2,3</sup>
LED	Red (625)	50k hrs.	350 mA	0.5 A pk.
LED	White – 5500 Kelvin	50k hrs.	700 mA	1.0 A pk.
LED	Green (530)	50k hrs.	700 mA	1.0 A pk.
LED	Blue (470)	50k hrs.	700 mA	1.0 A pk.

<sup>1</sup>When using PPxxx Controllers, controller supply voltage must be at least 1 volt higher than load voltage of light:

3.51 VDC for red models; 4.47 VDC for white, green and blue models.

<sup>2</sup>Maximum pulse width = 1ms, maximum frequency = 60Hz

<sup>3</sup>Exceeding max. current, pulse width or frequency voids product warranty.

### Mechanical:

**OD x H (mm/in.):** 38.1mm x 34.8 mm  
(1.50 in. x 1.37 in.)

**Mounting:** (2) M6 X 9.6 (.38 in.) Deep

**Housing Material:** Black Anodized Aluminum

**Weight:** 90.7 grams (3.2 oz.)

**CE Conformity:**

TBD

### Environmental:

**Max. Operating Humidity**

95% non-condensing

**Operating Temp.**

40°C (104°F)

**Storage Temp.**

50°C (122°F)

### Installation Options:<sup>1</sup>

Part #	Description	Used on Models
RVA:010503800	LC-50, 0.35A CC Drvr, 24VDC, Fixed Output <sup>2</sup>	w/Flying Leads
RVA:010503801	LC-50, 0.7A CC Drvr, 24VDC, Fixed Output <sup>2</sup>	w/Flying Leads
RVA:010503850	LC-100, 0.35A CC Drvr, 24VDC, Variable Output <sup>2</sup>	w/Flying Leads
RVA:010503851	LC-100, 0.7A CC Drvr, 24VDC, Variable Output <sup>2</sup>	w/Flying Leads
RVA:010503300	PP600, 2 Chnl. CC Cntrl, 24VDC, Push Button <sup>2</sup>	w/Flying Leads
RVA:010503301	PP610, 2 Chnl. CC Cntrl, 24VDC, PB/RS232 <sup>2</sup>	w/Flying Leads
RVA:010501402	CPS-24, 2.2A 24VDC Power Supply, US Cord	PP6xx, LC-50/100
RVA:010501401	CPS-24, 2.2A 24VDC Power Supply, EU Cord	PP6xx, LC-50/100
RVA:010503400	CCPS, 0.35A CC Drvr, 110VAC US, Fixed Output <sup>3</sup>	w/AMP Connector
RVA:010503402	CCPS, 0.35A CC Drvr, 230VAC EU, Fixed Output <sup>3</sup>	w/AMP Connector
RVA:010503401	CCPS, 0.7A CC Drvr, 110VAC US, Fixed Output <sup>3</sup>	w/AMP Connector
RVA:010503403	CCPS, 0.7A CC Drvr, 230VAC EU, Fixed Output <sup>3</sup>	w/AMP Connector

<sup>1</sup>Constant Current (CC) driver or controller required; choose one from above.

<sup>2</sup>LC-xxx and PP6xx CC drivers & controllers require a DC power supply; choose one from above.

<sup>3</sup>CCPS (model #s RVA:01050340x) is suitable for use in operator based visual inspection applications only. CCPS is not recommended for machine vision applications due to output fluctuations (ripple) imperceptible to the eye but detected in some machine vision applications.

### Cables/Connectors:

Models	w/AMP Conn.	w/Flying Leads
<b>Length</b>	2.0 M (6.6 ft.)	2.0 M (6.6 ft.) <sup>1</sup>
<b>Connector</b>	AMP 173977-2	n/a, Flying Leads
<b>Pin/Lead# 1</b>	V+	V+
<b>Pin/Lead# 2</b>	V-	V-

<sup>1</sup> Model #RVA:010656004 has a 4.5 M (15 ft.) cable