

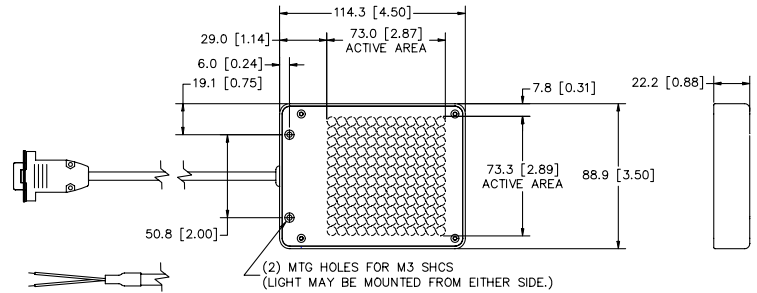


## NERLITE® BL-75 Series Backlights

**BL-75 Series Backlights** provide sharp contrast to outline a parts shape, hide clear housings, and view openings such as drilled holes. The BL-75 Series provides high output (HO) illumination in small, versatile packaging. Using a new approach in thermal management technology for LED illumination, the BL-75 Series is able to support large LED arrays operating at temperature levels that guarantee long life. BL-75 Series modules employ square arrays of LEDs measuring approximately 75 mm per side.



Model #	Description
RVA:010652150	BL-75x75, R LED-D, 12V-C
RVA:010903400	BL-75x75, R LED-D, 24V-C w/9 pin D-sub
RVA:010652156	BL-75x75, R LED-D, 24V-C w/"Flying Leads"
RVA:010652170	BL-75x75, R LED-D, 24V-S
RVA:010652152	BL-75x75, W LED-D, 12V-C
RVA:010903500	BL-75x75, W LED-D, 24V-C w/9 pin D-sub
RVA:010652172	BL-75x75, W LED-D, 24V-S
RVA:010652154	BL-75x75, B LED-D, 12V-C
RVA:010903600	BL-75x75, B LED-D, 24V-C w/9 pin D-sub
RVA:010652174	BL-75x75, B LED-D, 24V-S
RVA:010904000	BL-75x75, I LED-D, 12V-C
RVA:010904002	BL-75x75, I LED-D, 24V-C w/9 pin D-sub
RVA:010904004	BL-75x75, I LED-D, 24V-S



### Description Key Example

**BL-00x00, RLED-D, 12V-C**

Family Designation	Backlight Size (mm - approx.)	Color:	Delivery:	Voltage (DC):
BL-00x00	00x00	R-Red W-White B-Blue G-Green I-Infrared U-Ultraviolet	D-Diffused ND- Non-Diffused F-Focused	C-Continuous S-Strobe
			Source: FO-Fiber Optic FL-Fluorescent LED- Light Emitting Diode	

### Mechanical:

**L x W x H (mm/in.):**

114.3 mm x 88.9 mm x 22.2 mm  
(4.5 in. x 3.5 in. x 0.88 in.)

### Mounting:

**Housing Material:**

(2) M3 SHCS holes  
Black Anodized Aluminum

**Weight:**

454 grams (16 oz.)

### Environmental:

**Max. Operating Humidity**

95% non-condensing

**Operating Temp.**

40°C (104°F)

**Storage Temp.**

50°C (122°F)

### Illumination & Electrical:

**Lighting Technique:**

Backlight

**Light Output Area:**

73.0 mm x 73.0 mm  
(2.88 in. x 2.88 in.)

**Light Characteristics:**

Source	Color (nm)	Exp. Life	Voltage/Current (max.)		
			12V-C	24V-C	24V-S
LED	Red (636)	60k hrs.	552 mA	420 mA	6.0 A pk.
LED	White - 6500 Kelvin	10k hrs.	530 mA	256 mA	9.6 A pk.
LED	Blue (470)	10k hrs.	530 mA	480mA	9.6 A pk.
LED	IR (940)	50k hrs.	456 mA	240 mA	5.04 A pk.

**CE Conformity:**

Yes

### Accessories:

Part #	Description	Models Used On
RVA:010500301	CPS-12 3.5A, 12VDC, US Cord	12V-C
RVA:010500303	CPS-12 3.5A, 12VDC, EU Cord	12V-C
RVA:010501402	CPS-24, 24VDC, US cord	24V-S <sup>1</sup>
RVA:010501401	CPS-24, 24VDC, EU cord	24V-S <sup>1</sup>
RVA:010502601	CPS-24T, 24VDC US w/9-pin D-sub	24V-C & 24V-S <sup>1,2</sup>
RVA:010502602	CPS-24T, 24VDC EU w/9-pin D-sub	24V-C & 24V-S <sup>1,2</sup>
RVA:010502700	ICM-1, M/D Intensity Cntrl, 12V-C	12V-C
RVA:010502701	ICM-1, M/D Intensity Cntrl, 24V-C	24V-C <sup>2</sup>
RVA:010502702	SCM-1, 1 Channel M/D Strobe Cntrl.	24V-S
RVA:010901900	SCM-2, 2 Channel Strobe Cntrl.	24V-S
RVA:010503500	VPS-II, 2 Ch. Variable PS, US Cord	12V-C
RVA:010503501	VPS-II, 2 Ch. Variable PS, EU Cord	12V-C
RVA:030003702	Ext. Cable, Cont., 1.8 M (6 ft.)	12V-C & 24V-C <sup>2</sup>
RVA:030003703	Ext. Cable, Cont., 3.0 M (10 ft.)	12V-C & 24V-C <sup>2</sup>
RVA:030003601	Y cable, 2 Lights, 9 pin D-sub Cont.	12V-C & 24V-C <sup>2</sup>
RVA:030007006	Ext. Cable, Strobe, 1.8 M (6 ft.)	24V-S
RVA:030007010	Ext. Cable, Strobe, 3.0 M (10 ft.)	24V-S
RVA:030006900	Y cable, 2 Lights, 9 pin D-sub Strb.	24V-S

<sup>1</sup> RVA:01050140x used only with RVA:010901900;

RVA:01050260x used with either RVA:010502702 or 24V-C lights with DB-9 connectors

<sup>2</sup> 24V-C accessories are not available for "Flying Leads" configurations

### Cables/Connectors:

Connector	Length	Pin#	1	2	3	4	5	6	7	8	9
<b>12V-C Models</b>	9 pin D-sub Male	1.8 M (6 ft.)	n/a	n/a	GND	+12VDC	n/a	n/a	n/a	n/a	n/a
<b>24V-S Models</b>	9 pin D-sub Male	1.8 M (6 ft.)	V-	n/a	n/a	+24VDC	n/a	n/a	n/a	n/a	n/a
<b>24V-C Models</b> <sup>1</sup>	9 pin D-sub Male <sup>1</sup>	1.8 M (6 ft.) <sup>1</sup>	n/a	n/a	n/a	n/a	n/a	n/a	+24VDC	n/a	GND

<sup>1</sup> Note: 24V-C Models w/"Flying Leads" have a 4.5 M (15 ft.) cable with two (2) tinned leads and no connector; leads are labeled GND and V+ (+24VDC)

## NERLITE® BL-100 Series Backlight

**BL-100 Series Backlights** provide sharp contrast to outline a parts shape, hide clear housings, and view openings such as drilled holes. The BL-100 Series provides high output (HO) illumination in small, versatile packaging. Using a new approach in thermal management technology for LED illumination, the BL-100 Series is able to support large LED arrays operating at temperature levels that guarantee long life. BL-100 Series modules employ square arrays of LEDs measuring approximately 100 mm per side.



Model #	Description
RVA:010652200	BL-100x100, R LED-D, 12V-C
RVA:010904100	BL-100x100, R LED-D, 24V-C w/9-pin D-sub
RVA:010652206	BL-100x100, R LED-D, 24V-C w/"Flying Leads"
RVA:010652225	BL-100x100, R LED-D, 24V-S
RVA:010652202	BL-100x100, W LED-D, 12V-C
RVA:010904200	BL-100x100, W LED-D, 24V-C w/9-pin D-sub
RVA:010904202	BL-100x100, W LED-D, 24V-C w/"Flying Leads"
RVA:010652227	BL-100x100, W LED-D, 24V-S
RVA:010652204	BL-100x100, B LED-D, 12V-C
RVA:010904300	BL-100x100, B LED-D, 24V-C w/9-pin D-sub
RVA:010652229	BL-100x100, B LED-D, 24V-S
RVA:010904400	BL-100x100, I LED-D, 12V-C
RVA:010904402	BL-100x100, I LED-D, 24V-C w/9-pin D-sub
RVA:010904404	BL-100x100, I LED-D, 24V-S

Description Key Example

BL-00x00, RLED-D, 12V-C	
Family Designation	Backlight Size (mm -approx.)
Color:	Delivery:
R-Red	D-Diffused
W-White	ND- Non-Diffused
B-Blue	F-Focused
G-Green	Source:
I-Infrared	FO-Fiber Optic
U-Ultraviolet	FL-Fluorescent
	LED- Light Emitting Diode
	Voltage (DC):
	C-Continuous
	S-Strobe

### Illumination & Electrical:

**Lighting Technique:** Backlight  
**Light Output Area:** 96.8 mm x 96.8 mm  
 (3.81 in. x 3.81 in.)

### Light Characteristics:

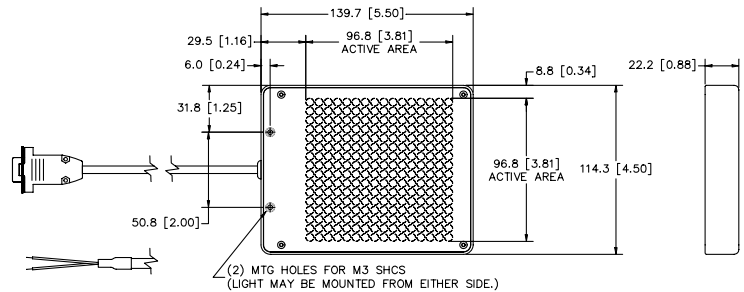
Source	Color (nm)	Exp. Life	Voltage/Current (max.)		
			12V-C	24V-C	24V-S
LED	Red (636)	60k hrs.	640 mA	320 mA	13.0 A pk.
LED	White - 6500 Kelvin	10k hrs.	0.9 A	420 mA	17.2 A pk.
LED	Blue (470)	10k hrs.	0.9 A	tbd	17.2 A pk.
LED	IR (940)	50k hrs.	640 mA	304 mA	7.7 A pk.

**CE Conformity:** Yes

### Cables/Connectors:

Connector	Length	Pin#	1	2	3	4	5	6	7	8	9
<b>12V-C Models</b>	9 pin D-sub Male	1.8 M (6 ft.)	n/a	n/a	GND	+12VDC	n/a	n/a	n/a	n/a	n/a
<b>24V-S Models</b>	9 pin D-sub Male	1.8 M (6 ft.)	V-	n/a	n/a	+24VDC	n/a	n/a	n/a	n/a	n/a
<b>24V-C Models</b> <sup>1</sup>	9 pin D-sub Male <sup>1</sup>	1.8 M (6 ft.) <sup>1</sup>	n/a	n/a	n/a	n/a	n/a	n/a	+24VDC	n/a	GND

<sup>1</sup> Note: 24V-C Models w/"Flying Leads" have a 4.5 M (15 ft.) cable with two (2) tinned leads and no connector; leads are labeled GND and V+ (+24VDC)



### Mechanical:

**L x W x H (mm/in.):** 139.7 mm x 114.3 mm x 22.2 mm  
 (5.5 in. x 4.5 in. x 0.88 in.)

**Mounting:** (2) M3 SHCS holes  
**Housing Material:** Black Anodized Aluminum  
**Weight:** 567 grams (20 oz.)

### Environmental:

**Max. Operating Humidity:** 95% non-condensing  
**Operating Temp.:** 40°C (104°F)  
**Storage Temp.:** 50°C (122°F)

### Accessories:

Part #	Description	Models Used On
RVA:010500301	CPS-12 3.5A, 12VDC, US Cord	12V-C
RVA:010500303	CPS-12 3.5A, 12VDC, EU Cord	12V-C
RVA:010501402	CPS-24, 24VDC, US cord	24V-S <sup>1</sup>
RVA:010501401	CPS-24, 24VDC, EU cord	24V-S <sup>1</sup>
RVA:010502601	CPS-24T, 24VDC US w/9-pin D-sub	24V-C & 24V-S <sup>1,2</sup>
RVA:010502602	CPS-24T, 24VDC EU w/9-pin D-sub	24V-C & 24V-S <sup>1,2</sup>
RVA:010502700	ICM-1, M/D Intensity Cntrl, 12V-C	12V-C
RVA:010502701	ICM-1, M/D Intensity Cntrl, 24V-C	24V-C <sup>2</sup>
RVA:010502702	SCM-1, 1 Channel M/D Strobe Cntrl.	24V-S
RVA:010901900	SCM-2, 2 Channel Strobe Cntrl.	24V-S
RVA:010503500	VPS-II, 2 Ch. Variable PS, US Cord	12V-C
RVA:010503501	VPS-II, 2 Ch. Variable PS, EU Cord	12V-C
RVA:030003702	Ext. Cable, Cont., 1.8 M (6 ft.)	12V-C & 24V-C <sup>2</sup>
RVA:030003703	Ext. Cable, Cont., 3.0 M (10 ft.)	12V-C & 24V-C <sup>2</sup>
RVA:030003601	Y cable, 2 Lights, 9 pin D-sub Cont.	12V-C & 24V-C <sup>2</sup>
RVA:030007006	Ext. Cable, Strobe, 1.8 M (6 ft.)	24V-S
RVA:030007010	Ext. Cable, Strobe, 3.0 M (10 ft.)	24V-S
RVA:030006900	Y cable, 2 Lights, 9 pin D-sub Strb.	24V-S

<sup>1</sup> RVA:01050140x used only with RVA:010901900;  
 RVA:01050260x used with either RVA:010502702 or 24V-C lights with DB-9 connectors

<sup>2</sup> 24V-C accessories are not available for "Flying Leads" configurations

## NERLITE® BL-50x200-HO

The BL-50x200-HO Series are high output backlights providing bright, diffuse illumination in a rectangular array.

Model #	Description
RVA:010650000	BL-50X200-HO, R LED-D, 12V-C
RVA:010650001	BL-50X200-HO, R LED-D, 24V-S
RVA:010650007	BL-50X200-HO, R LED-D, 24V-C
RVA:010650015	BL-50X200-HO, R LED-D, 24V-C, 15' (4.5M) Cbl w/Flying Leads
RVA:010650008	BL-50X200-HO, W LED-D, 12V-C
RVA:010650010	BL-50X200-HO, W LED-D, 24V-S
RVA:010650014	BL-50X200-HO, W LED-D, 24V-C
RVA:010650009	BL-50X200-HO, B LED-D, 12V-C

Description Key Example

### BL-00x00, RLED-D, 12V-C

Family Designation	Backlight Size (mm - approx.)	Color:	Delivery:	Voltage (DC):
		R-Red W-White B-Blue G-Green I-Infrared U-Ultraviolet	D-Diffused ND- Non-Diffused F-Focused	C-Continuous S-Strobe
			Source: FO-Fiber Optic FL-Fluorescent LED- Light Emitting Diode	

### Illumination & Electrical:

**Lighting Technique:** Backlight  
**Active Area:** 51mm x 203 mm (2 in. x 8 in.)  
**Light Characteristics:**

Source	Color (nm)	Exp. Life	Voltage/Current (max.)		
			12V-C	24V-C	24V-S
LED	Red (636)	60k hrs.	1.6 A	800 mA	8.8 A pk.
LED	White – 6500 Kelvin	10k hrs.	1.86 A	900 mA	17.6 A pk.
LED	Blue (470)	10k hrs.	1.86 A	n/a	n/a

**CE Conformity:** Yes

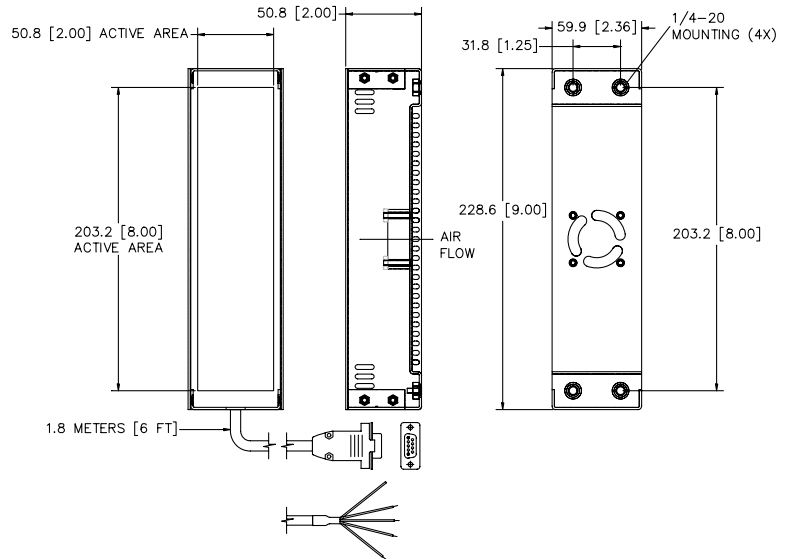
### Mechanical:

**L x W x H (mm/in.):** 228.6 mm x 59.9 mm x 50.8 mm (9.00 in. x 2.36 in. x 2.00 in.)

**Mounting:** (4) 1/4-20 on bottom of unit  
**Housing Material:** Black Anodized Aluminum  
**Weight:** 567 grams (1.25 lbs.)

### Environmental:

**Max. Operating Humidity:** 95% non-condensing  
**Operating Temp.** 40°C (104°F)  
**Storage Temp.** 50°C (122°F)



### Accessories:

Part #	Description	Models Used On
RVA:010500301	CPS-12 3.5A, 12VDC, US Cord	12V-C
RVA:010500303	CPS-12 3.5A, 12VDC, EU Cord	12V-C
RVA:010501402	CPS-24, 24VDC, US cord	24V-S <sup>1</sup>
RVA:010501401	CPS-24, 24VDC, EU cord	24V-S <sup>1</sup>
RVA:010502601	CPS-24T, 24VDC US w/9-pin D-sub	24V-C & 24V-S <sup>1,2</sup>
RVA:010502602	CPS-24T, 24VDC EU w/9-pin D-sub	24V-C & 24V-S <sup>1,2</sup>
RVA:010502700	ICM-1, M/D Intensity Cntrl, 12V-C	12V-C
RVA:010502701	ICM-1, M/D Intensity Cntrl, 24V-C	24V-C <sup>2</sup>
RVA:010502702	SCM-1, 1 Channel M/D Strobe Cntrl.	24V-S
RVA:010901900	SCM-2, 2 Channel Strobe Cntrl.	24V-S
RVA:010503500	VPS-II, 2 Ch. Variable PS, US Cord	12V-C
RVA:010503501	VPS-II, 2 Ch. Variable PS, EU Cord	12V-C
RVA:030003702	Ext. Cable, Cont., 1.8 M (6 ft.)	12V-C & 24V-C <sup>2</sup>
RVA:030003703	Ext. Cable, Cont., 3.0 M (10 ft.)	12V-C & 24V-C <sup>2</sup>
RVA:030003601	Y cable, 2 Lights, 9 pin D-sub Cont.	12V-C & 24V-C <sup>2</sup>
RVA:030007006	Ext. Cable, Strobe, 1.8 M (6 ft.)	24V-S
RVA:030007010	Ext. Cable, Strobe, 3.0 M (10 ft.)	24V-S
RVA:030006900	Y cable, 2 Lights, 9 pin D-sub Strb.	24V-S

<sup>1</sup> RVA:01050140x used only with RVA:010901900;

RVA:01050260x used with either RVA:010502702 or 24V-C lights with DB-9 connectors

<sup>2</sup> 24V-C accessories are not available for "Flying Leads" configurations

### Cables/Connectors:

	Connector	Length	Pin#	1	2	3	4	5	6	7	8	9
<b>12V-C Models</b>	9 pin D-sub Male	1.8 M (6 ft.)		+12VDC (Fan)	GND (Fan)	GND	+12VDC	n/a	n/a	n/a	n/a	n/a
<b>24V-C Models <sup>1</sup></b>	9 pin D-sub Male <sup>1</sup>	2.0 M (6.6 ft.) <sup>1</sup>		V+ (Fan)	GND (Fan)	n/a	n/a	n/a	+24VDC	n/a	GND	n/a
<b>24V-S Models</b>	9 pin D-sub Male	1.8 M (6 ft.)		V-	n/a	n/a	+24VDC	+24VDC	V-	n/a	n/a	n/a

<sup>1</sup> Note: 24V-C Models w/"Flying Leads" have a 4.5 M (15 ft.) cable with four (4) tinned leads and no connector; leads are labeled GND, V+, Fan GND and Fan V+ (+ = 24VDC).

## NERLITE® BL-50X300-HO Backlights

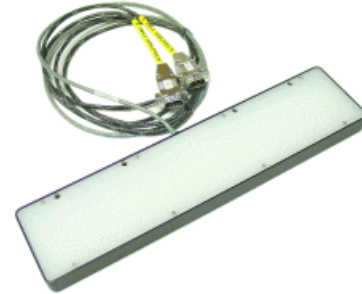
BL-50X300-HO Backlights provide the high output (HO) illumination needed to deliver sharp contrast to outline a parts shape, hide clear housings, and view openings such as drilled holes.

Model #	Description
RVA:010653700	BL-50X300-HO, R LED-D, 24V-S
RVA:010653702	BL-50X300-HO, I LED-D, 24V-S

Description Key Example

**BL-00x00, RLED-D, 12V-C**

Family Designation	Backlight Size (mm - approx.)	Color:	Delivery:	Source:	Voltage (DC):
		R-Red W-White B-Blue G-Green I-Infrared U-Ultraviolet	D-Diffused ND- Non-Diffused F-Focused	FO-Fiber Optic FL-Fluorescent LED- Light Emitting Diode	C-Continuous S-Strobe



### Illumination & Electrical:

**Lighting Technique:** Backlight  
**Light Output Area:** 304.8 mm x 50.8 mm (12.0 in. x 2.0 in.)

**Light Characteristics:**

Source	Color (nm)	Exp. Life	Voltage/Current (max.)
LED	Red (636)	60k hrs.	24V-S 12.8 A pk.
LED	Infrared (940)	50k hrs.	13.44 A pk.

**CE Conformity:** Yes

### Mechanical:

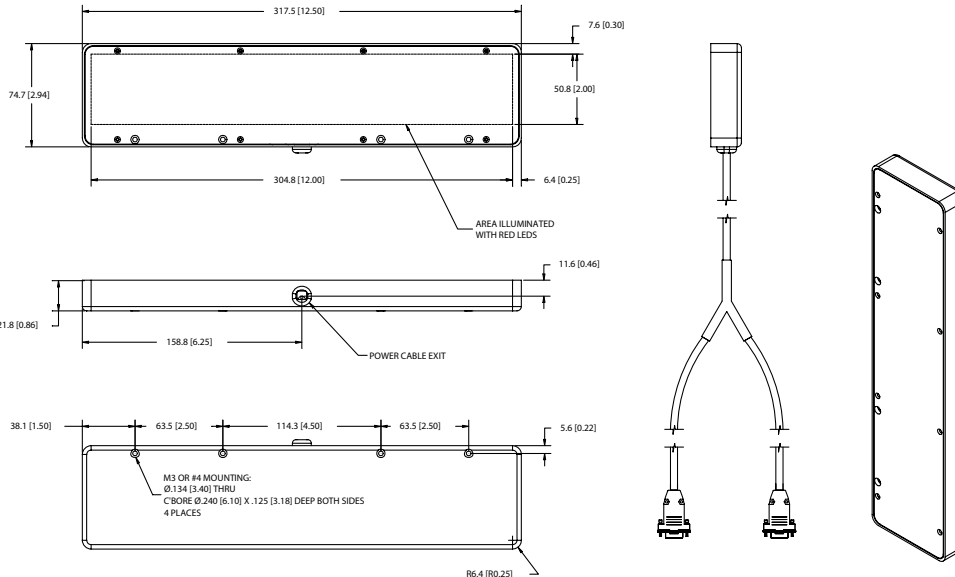
**L x W x H (mm/in.):** 317.5 mm x 74.7 mm x 21.8 mm (12.5 in. x 2.94 in. x 0.86 in.)  
**Mounting:** (4) M3 or #4 (thru holes)  
**Housing Material:** Black Anodized Aluminum  
**Weight:** 833.3 grams (29.4 oz.)

### Environmental:

**Max. Operating Humidity:** 95% non-condensing  
**Operating Temp.** 40°C (104°F)  
**Storage Temp.** 50°C (122°F)

### Accessories:

Part #	Description	Models Used On
RVA:010901900	SCM, Strobe Control Module	24V-S
RVA:010501402	CPS-24, 24VDC, US cord	24V-S
RVA:010501401	CPS-24, 24VDC, EU cord	24V-S
RVA:030007006	Ext. Cable, Strobe, 1.8 M (6 ft.)	24V-S
RVA:030007010	Ext. Cable, Strobe, 3.0 M (10 ft.)	24V-S



24V-S Models	Cable Length	Connector	Pin#	1	2	3	4	5	6	7	8	9
	2.0 M (6.6 ft.) overall; 0.9 M (3 ft.) to 'Y' junction	9 pin D-sub Male - P2 9 pin D-sub Male - P3	V1- n/c	n/c n/c	n/c n/c	V1+ (24VDC) n/c	n/c V2+ (24VDC)	n/c V2-	n/c n/c	n/c n/c	n/c n/c	n/c n/c

## NERLITE® BL-50x50-LP Red, Diffused

**Part Number:** RVA:010650800

**Product Description:** The BL-50x50-LP is a low profile LED array providing illumination for applications requiring a small back-light or area array. The light is designed to fit into tight spaces.

**illumination:**

**Lighting Technique:** Back-light or Area Array  
**Source Type:** Red LED  
**Spectrum:** 636 nm  
**Expected Life:** 60,000 hours  
**Light Delivery:** Diffused  
**Light Output Area:** 52.3 mm x 52.3 mm  
 (2.06 in. x 2.06 in.)

**Electrical:**

**Input Voltage:** 12VDC max.  
**Input Current:** 128 mA max.  
**Cable Length:** 1.8 M (6 ft.)  
**Connector:** 9 pin D-sub male  
**CE Conformity:** Yes



**Mechanical:**

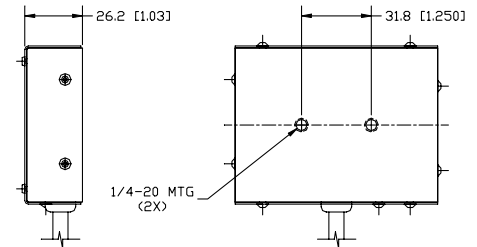
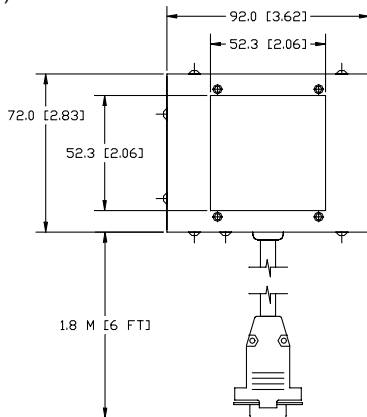
**L x W x H:** 72.0 mm x 92.0 mm x 26.2 mm  
 (2.84 in. x 3.62 in x 1.03 in.)  
**Mounting:** (2) 1/4-20 on bottom of unit  
**Housing Material:** Black Anodized Aluminum  
**Weight:** 142 grams (5 oz.)

**Environmental:**

**Max. Operating Humidity:** 95% non-condensing  
**Operating Temp.:** 40°C (104°F)  
**Storage Temp.:** 50°C (122°F)

**Cable Pinout** (9-pin D-subminiature, Male)

Pin #	Signal	Pin #	Signal
1	n/a	6	n/a
2	n/a	7	n/a
3	GND	8	n/a
4	+12VDC	9	n/a
5	n/a		



**Accessories:**

Part Number	Description
RVA:030003700	Extension Cable, Continuous, 1.8 M (6 ft.)
RVA:030003701	Extension Cable, Continuous, 3.0 M (10 ft.)
RVA:010500301	CPS-12, 12VDC, US Cord
RVA:010500303	CPS-12, 12VDC, EU Cord
RVA:010501200	VPS, Variable, US Cord
RVA:010501201	VPS-EU, Variable, EU Cord
RVA:030003600	Y cable for 2-Lights, 9 pin D-sub Continuous

## NERLITE® BL-50x200-LP Backlights

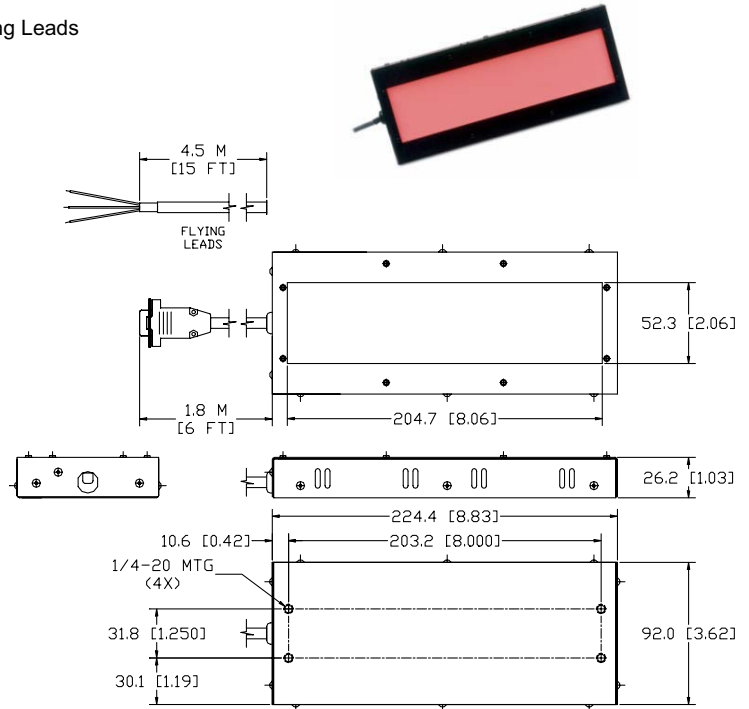
BL-50x200-LP Backlights are low profile, diffused LED arrays providing illumination for applications requiring backlighting or diffuse lighting of small areas. These lights are packaged in compact housings to fit into tight spaces.

Model #	Description
RVA:010650600	BL-50X200-LP, R LED-D, 12V-C
RVA:010650604	BL-50X200-LP, R LED-D, 24V-C, 15' (4.5M) Cbl w/Flying Leads
RVA:010650601	BL-50X200-LP, R LED-D, 24V-S
RVA:010650603	BL-50X200-LP, W LED-D, 12V-C
RVA:010650602	BL-50X200-LP, I LED-D, 24V-S

Description Key Example

**BL-00x00, RLED-D, 12V-C**

Family Designation	Backlight Size (mm - approx.)	Color: R-Red W-White B-Blue G-Green I-Infrared U-Ultraviolet	Delivery: D-Diffused ND- Non-Diffused F-Focused	Source: FO-Fiber Optic FL-Fluorescent LED- Light Emitting Diode	Voltage (DC): C-Continuous S-Strobe
--------------------	-------------------------------	--	--	--	---



### Illumination & Electrical:

**Lighting Technique:**  
**Light Output Area:**

Backlight or Area Array  
52.3 mm x 204.7 mm  
(2.06 in. x 8.06 in.)

### Light Characteristics:

Source	Color (nm)	Exp. Life	Voltage/Current (max.)		
			12V-C	24V-C	24V-S
LED	Red (636)	60k hrs.	448 mA	224 mA	3.5 A pk.
LED	White – 6500 Kelvin	10k hrs.	550 mA	n/a <sup>1</sup>	n/a <sup>1</sup>
LED	Infrared (880)	50k hrs.	n/a <sup>1</sup>	n/a <sup>1</sup>	2.94 A pk.

<sup>1</sup> No model available in stated voltage

**CE Conformity:** Yes

### Environmental:

**Max. Operating Humidity** 95% non-condensing  
**Operating Temp.** 40°C (104°F)  
**Storage Temp.** 50°C (122°F)

### Mechanical:

**L x W x H (mm/in.):** 224.4 mm x 92.0 mm x 26.2 mm  
(8.83 in. x 3.62 in. x 1.03 in.)  
**Mounting:** (4) ¼-20 on bottom of unit  
**Housing Material:** Black Anodized Aluminum  
**Weight:** 312 grams (11 oz.)

### Accessories:

Part #	Description	Models Used On
RVA:010500301	CPS-12 3.5A, 12VDC, US Cord	12V-C
RVA:010500303	CPS-12 3.5A, 12VDC, EU Cord	12V-C
RVA:010501402	CPS-24, 24VDC, US cord	24V-S <sup>1</sup>
RVA:010501401	CPS-24, 24VDC, EU cord	24V-S <sup>1</sup>
RVA:010502601	CPS-24T, 24VDC US w/9-pin D-sub	24V-S <sup>1</sup>
RVA:010502602	CPS-24T, 24VDC EU w/9-pin D-sub	24V-S <sup>1</sup>
RVA:010502700	ICM-1, M/D Intensity Cntrl, 12V-C	12V-C
RVA:010502702	SCM-1, 1 Channel M/D Strobe Cntrl.	24V-S
RVA:010901900	SCM-2, 2 Channel Strobe Cntrl.	24V-S
RVA:010503500	VPS-II, 2 Ch. Variable PS, US Cord	12V-C
RVA:010503501	VPS-II, 2 Ch. Variable PS, EU Cord	12V-C
RVA:030003702	Ext. Cable, Cont., 1.8 M (6 ft.)	12V-C
RVA:030003703	Ext. Cable, Cont., 3.0 M (10 ft.)	12V-C
RVA:030003601	Y cable, 2 Lights, 9 pin D-sub Cont.	12V-C
RVA:030007006	Ext. Cable, Strobe, 1.8 M (6 ft.)	24V-S
RVA:030007010	Ext. Cable, Strobe, 3.0 M (10 ft.)	24V-S
RVA:030006900	Y cable, 2 Lights, 9 pin D-sub Strb.	24V-S

<sup>1</sup> RVA:01050140x used only with RVA:010901900;

RVA:01050260x used with either RVA:010502702 or 24V-C lights with DB-9 connectors

### Cables/Connectors:

	Connector	Length	Lead or Pin#	1	2	3	4	5	6	7	8	9
<b>12V-C Models</b>	9 pin D-sub Male	1.8 M (6 ft.)		n/a	n/a	GND	+12VDC	n/a	n/a	n/a	n/a	n/a
<b>24V-S Models</b>	9 pin D-sub Male	1.8 M (6 ft.)		V-	n/a	n/a	+24VDC	n/a	n/a	n/a	n/a	n/a
<b>24V-C Models</b> <sup>1</sup>	n/a (Flying Leads)	4.5 M (15 ft.)		GND	+24VDC							

<sup>1</sup> Note: 24V-C Models w/"Flying Leads" have a 4.5 M (15 ft.) cable with two (2) tinned leads and no connector; leads are labeled GND and V+ (+24VDC)

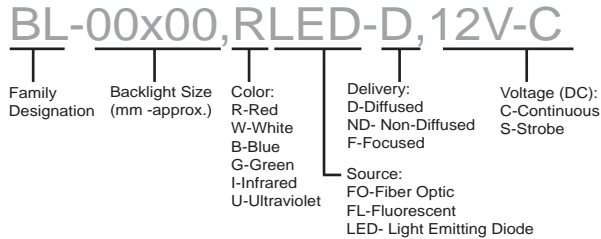
## NERLITE® BL-100X200-LP Backlight

The **BL-100x200-LP** is a low profile, low intensity, diffused LED backlight providing illumination for applications requiring a design that fits into tight spaces.

Model #	Description
RVA:010650900	BL-100X200-LP, R LED-D, 12V-C
RVA:010650905	BL-100X200-LP, R LED-D, 24V-C w/9 pin D-sub
RVA:010650902	BL-100X200-LP, R LED-D, 24V-C w/"Flying Leads"
RVA:010650907	BL-100X200-LP, W LED-D, 12V-C
RVA:010650908	BL-100X200-LP, W LED-D, 24V-C
RVA:010650911	BL-100X200-LP, W LED-D, 24V-C w/"Flying Leads"
RVA:010650909	BL-100X200-LP, W LED-D, 24V-S
RVA:010650913	BL-100X200-LP, W LED-D, 24V-S w/#3 High Diffusion
RVA:010651900	BL-100X200-LP, I LED-D, 12V-C
RVA:010650903	BL-100X200-LP, I LED-D, 24V-C w/"Flying Leads"
RVA:010650914	BL-100X200-LP, I LED-D, 24V-C w/9 pin D-sub
RVA:010650910	BL-100X200-LP, G LED-D, 24V-C
RVA:010650912	BL-100X200-LP, B LED-D, 12V-C
RVA:010650904	BL-100X200-LP, B LED-D, 24V-S



Description Key Example



### illumination & Electrical:

**Lighting Technique:** Backlight  
**Light Output Area:** 103.1 mm x 204.7mm (4.06 in. x 8.06 in.)

### Light Characteristics:

Source	Color (nm)	Exp. Life	Voltage/Current (max.)		
			12V-C	24V-C	24V-S
LED	Red (636)	60k hrs.	448 mA	225 mA	n/a
LED	Green (533)	10k hrs.	n/a	216 mA	n/a
LED	Blue (470)	50k hrs.	550 mA	n/a	4.8 A pk.
LED	Infrared (940)	50k hrs.	350 mA	120 mA	n/a
LED	White – 6500 Kelvin	10k hrs.	550 mA	228 mA	4.8 A pk.

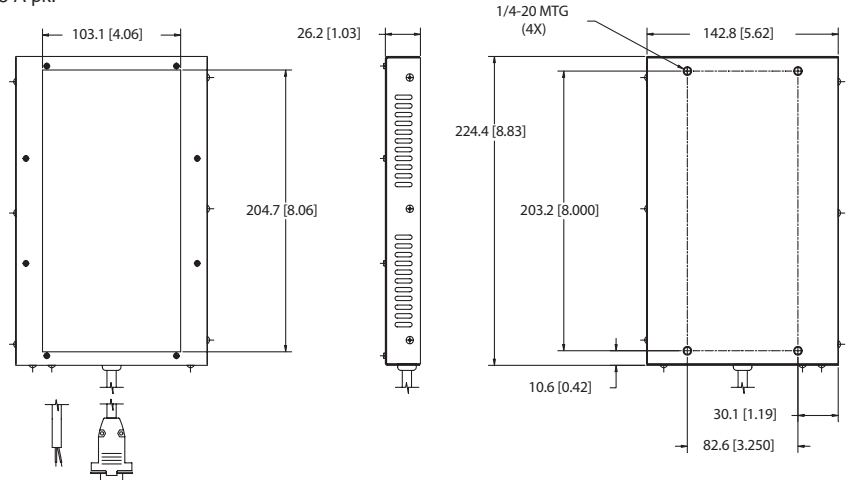
**CE Conformity:** Yes

### Mechanical:

**L x W x H (mm/in.):** 224.4 mm x 142.8 mm x 26.2 mm (8.83 in. x 5.62 in. x 1.03 in.)  
**Mounting:** (4) 1/4 x 20 x 6.35 (0.25 in.) deep (max.)  
**Housing Material:** Black Anodized Aluminum  
**Weight:** 482 grams (17 oz.)

### Environmental:

**Max. Operating Humidity:** 95% non-condensing  
**Operating Temp.** 40°C (104°F)  
**Storage Temp.** 50°C (122°F)



### Cables/Connectors:

	Connector	Length	Pin #:	1	2	3	4	5	6	7	8	9
<b>12V-C Models</b>	9 pin D-sub Male	2.0 M (6.6 ft.)		n/a	n/a	GND	+12VDC	n/a	n/a	n/a	n/a	n/a
<b>24V-S Models</b>	9 pin D-sub Male	2.0 M (6.6 ft.)		V-	n/a	n/a	+24VDC	n/a	n/a	n/a	n/a	n/a
<b>24V-C Models</b> <sup>1</sup>	9 pin D-sub Male	2.0 M (6.6 ft.) <sup>1</sup>		n/a	n/a	n/a	n/a	n/a	n/a	+24VDC	n/a	GND

<sup>1</sup> Note: 24V-C Models w/"Flying Leads" have a 4.5 M (15 ft.) cable with two (2) tinned leads and no connector; leads are labeled GND and V+ (+24VDC)

### Accessories:

Part #	Description	Models Used On
RVA:010500301	CPS-12 3.5A, 12VDC, US Cord	12V-C
RVA:010500303	CPS-12 3.5A, 12VDC, EU Cord	12V-C
RVA:010501402	CPS-24, 24VDC, US cord	24V-S <sup>1</sup>
RVA:010501401	CPS-24, 24VDC, EU cord	24V-S <sup>1</sup>
RVA:010502601	CPS-24T, 24VDC US w/9-pin D-sub	24V-C & 24V-S <sup>1,2</sup>
RVA:010502602	CPS-24T, 24VDC EU w/9-pin D-sub	24V-C & 24V-S <sup>1,2</sup>
RVA:010502700	ICM-1, M/D Intensity Cntrl, 12V-C	12V-C
RVA:010502701	ICM-1, M/D Intensity Cntrl, 24V-C	24V-C <sup>2</sup>
RVA:010502702	SCM-1, 1 Channel M/D Strobe Cntrl.	24V-S
RVA:010901900	SCM-2, 2 Channel Strobe Cntrl.	24V-S
RVA:010503500	VPS-II, 2 Ch. Variable PS, US Cord	12V-C
RVA:010503501	VPS-II, 2 Ch. Variable PS, EU Cord	12V-C
RVA:030003702	Ext. Cable, Cont., 1.8 M (6 ft.)	12V-C & 24V-C <sup>2</sup>
RVA:030003703	Ext. Cable, Cont., 3.0 M (10 ft.)	12V-C & 24V-C <sup>2</sup>
RVA:030003601	Y cable, 2 Lights, 9 pin D-sub Cont.	12V-C & 24V-C <sup>2</sup>
RVA:030007006	Ext. Cable, Strobe, 1.8 M (6 ft.)	24V-S
RVA:030007010	Ext. Cable, Strobe, 3.0 M (10 ft.)	24V-S
RVA:030006900	Y cable, 2 Lights, 9 pin D-sub Strb.	24V-S

<sup>1</sup> RVA:01050140x used only with RVA:010901900;

RVA:01050260x used with either RVA:010502702 or 24V-C lights with DB-9 connectors

<sup>2</sup> 24V-C accessories are not available for "Flying Leads" configurations