

CAMERA LINK[®] CAMERAS



Remote Head Configuration
Mod# STC-RCL33A-C3
(See pp. 56-57)

- CAMERA LINK[®] DIGITAL OUTPUT
- HIGH FRAME RATE:
 - VGA (30, 60, 90 fps)
 - XGA (30 fps)
 - SXGA (15, 19 fps)
 - UXGA (15, 30 fps) Model Dependent
 - QSXGA (15 fps)
- COLOR OR MONOCHROME
- VERY SMALL (28 x 28 x 46.5mm)
(with Lens Mount & Connector)
- 2 TRIGGER MODES
(with Reset & Non-Reset)
 - PULSE WIDTH
 - EDGE PRESET
- COMMUNICATION RATES:
 - 9,600 BAUD STANDARD
 - 38,400 BAUD HI-SPEED
- TRIGGERING
 - OVER CL CABLE
 - OVER HIROSE CONNECTOR
- PARTIAL SCAN (1/2, 1/4, Variable)
- "ON THE FLY" PROGRAMMABILITY
- SQUARE PIXELS
- NI LABVIEW[™] COMPATIBLE

Full Specification Comparison Table on pages 50-51.

Color CameraLink[®] Cameras

STC-CLC33A (0.3 MegaPixel)

- 1/3" CCD - VGA
 - 30, 60, 90 fps (Full Resolution)
 - CUBE CAMERA (28 x 28 x 46.5mm)
 - w/ OR w/o I/R FILTER
- SEE PAGES 58 & 59 FOR DETAILS.

STC-CLC83A (0.8 MegaPixel)

- 1/3" CCD - XGA
 - 30 fps (Full Resolution)
 - CUBE CAMERA (28 x 28 x 46.5mm)
 - w/ OR w/o I/R FILTER
- SEE PAGES 58 & 59 FOR DETAILS.

STC-CLC152A (1.3 MegaPixel)

- 1/2" CCD - SXGA
 - 15 fps, 19 fps (Full Resolution)
 - CUBE CAMERA (28 x 28 x 46.5mm)
 - w/ OR w/o I/R FILTER
- SEE PAGES 60 & 61 FOR DETAILS.

STC-CLC202A (2 MegaPixel)

- 1/1.8" CCD - UXGA
 - 15 fps (Full Resolution)
 - CUBE CAMERA (28 x 28 x 46.5mm)
 - w/ OR w/o I/R FILTER
- SEE PAGES 60 & 61 FOR DETAILS.

STC-CLC232A (2 MegaPixel)

- 1/1.8" CCD - UXGA
 - 30 fps (Full Resolution)
 - CUBE LIKE CAMERA (28 x 28 x 53.5mm)
 - w/ OR w/o I/R FILTER
- SEE PAGES 54 & 55 FOR DETAILS.

STC-CLC500A (5 MegaPixel)

- 2/3" CCD - QSXGA
 - 15 fps (Full Resolution)
 - CUBE CAMERA (35 x 35 x 40.7mm)
 - w/ OR w/o I/R FILTER
- SEE PAGES 52 & 53 FOR DETAILS.

Monochrome CameraLink[®] Cameras

STC-CL33A (0.3 MegaPixel)

- 1/3" CCD - VGA
 - 30, 60, 90 fps (Full Resolution)
 - CUBE CAMERA (28 x 28 x 46.5mm)
 - w/ OR w/o I/R FILTER
- SEE PAGES 62 & 63 FOR DETAILS.

STC-CL83A (0.8 MegaPixel)

- 1/3" CCD - VGA
 - 30 fps (Full Resolution)
 - CUBE CAMERA (28 x 28 x 46.5mm)
 - w/ OR w/o I/R FILTER
- SEE PAGES 62 & 63 FOR DETAILS.

STC-CL152A (1.3 MegaPixel)

- 1/2" CCD - SXGA
 - 15 fps, 19 fps (Full Resolution)
 - CUBE CAMERA (28 x 28 x 46.5mm)
 - w/ OR w/o I/R FILTER
- SEE PAGES 64 & 65 FOR DETAILS.

STC-CL202A (2 MegaPixel)

- 1/1.8" CCD - UXGA
 - 15 fps (Full Resolution)
 - CUBE CAMERA (28 x 28 x 46.5mm)
 - w/ OR w/o I/R FILTER
- SEE PAGES 64 & 65 FOR DETAILS.

STC-CL232A (2 MegaPixel)

- 1/1.8" CCD - UXGA
 - 30 fps (Full Resolution)
 - CUBE LIKE CAMERA (28 x 28 x 53.5mm)
 - w/ OR w/o I/R FILTER
- SEE PAGES 54 & 55 FOR DETAILS.

STC-CL500A (5 MegaPixel)

- 2/3" CCD - QSXGA
 - 15 fps (Full Resolution)
 - CUBE CAMERA (35 x 35 x 40.7mm)
 - w/ OR w/o I/R FILTER
- SEE PAGES 52 & 53 FOR DETAILS.

New!

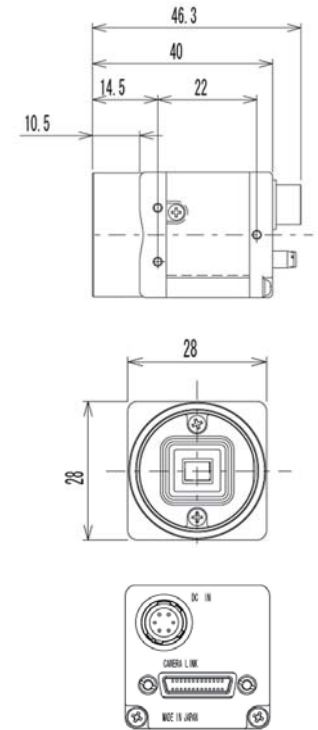


POWER OVER CAMERALINK® CAMERAS



All Sentech CameraLink® Cameras are also available as a Power Over CameraLink® model. The physical back panels of the POCL and POCLC cameras are the same as the standard CameraLink® cameras.

All the features are the same as the standard units, except for the power delivery methods. See pp. 50-51



Color Power Over CameraLink® Cameras

STC-POCLC33A (0.3 MegaPixel)

- 1/3" CCD - VGA
 - 30, 60, 90 fps (Full Resolution)
 - CUBE CAMERA (28 x 28 x 46.5mm)
 - w/ OR w/o I/R FILTER
- SEE PAGES 58 & 59 FOR DETAILS.

STC-POCLC83A (0.8 MegaPixel)

- 1/3" CCD - XGA
 - 30 fps (Full Resolution)
 - CUBE CAMERA (28 x 28 x 46.5mm)
 - w/ OR w/o I/R FILTER
- SEE PAGES 58 & 59 FOR DETAILS.

STC-POCLC152A (1.3 MegaPixel)

- 1/2" CCD - SXGA
 - 15 fps, 19 fps (Full Resolution)
 - CUBE CAMERA (28 x 28 x 46.5mm)
 - w/ OR w/o I/R FILTER
- SEE PAGES 60 & 61 FOR DETAILS.

STC-POCLC202A (2 MegaPixel)

- 1/1.8" CCD - UXGA
 - 15 fps (Full Resolution)
 - CUBE CAMERA (28 x 28 x 46.5mm)
 - w/ OR w/o I/R FILTER
- SEE PAGES 60 & 61 FOR DETAILS.

STC-POCLC232A (2 MegaPixel)

- 1/1.8" CCD - UXGA
 - 30 fps (Full Resolution)
 - CUBE LIKE CAMERA (28 x 28 x 53.5mm)
 - C MOUNT
- SEE PAGES 54 & 55 FOR DETAILS.

STC-POCLC500A (5 MegaPixel)

- 2/3" CCD - QSXGA
 - 15 fps (Full Resolution)
 - CUBE CAMERA (35 x 35 x 40.7mm)
 - w/ OR w/o I/R FILTER
- SEE PAGES 52 & 53 FOR DETAILS.

Monochrome Power Over CameraLink®

STC-POCL33A (0.3 MegaPixel)

- 1/3" CCD - VGA
 - 30, 60, 90 fps (Full Resolution)
 - CUBE CAMERA (28 x 28 x 46.5mm)
 - w/ OR w/o I/R FILTER
- SEE PAGES 62 & 63 FOR DETAILS.

STC-POCL83A (0.8 MegaPixel)

- 1/3" CCD - VGA
 - 30 fps (Full Resolution)
 - CUBE CAMERA (28 x 28 x 46.5mm)
 - w/ OR w/o I/R FILTER
- SEE PAGES 62 & 63 FOR DETAILS.

STC-POCL152A (1.3 MegaPixel)

- 1/2" CCD - SXGA
 - 15 fps, 19 fps (Full Resolution)
 - CUBE CAMERA (28 x 28 x 46.5mm)
 - w/ OR w/o I/R FILTER
- SEE PAGES 64 & 65 FOR DETAILS.

STC-POCL202A (2 MegaPixel)

- 1/1.8" CCD - UXGA
 - 15 fps (Full Resolution)
 - CUBE CAMERA (28 x 28 x 46.5mm)
 - w/ OR w/o I/R FILTER
- SEE PAGES 64 & 65 FOR DETAILS.

STC-POCL232A (2 MegaPixel)

- 1/1.8" CCD - UXGA
 - 30 fps (Full Resolution)
 - CUBE LIKE CAMERA (28 x 28 x 53.5mm)
 - w/ OR w/o I/R FILTER
- SEE PAGES 54 & 55 FOR DETAILS.

STC-POCL500A (5 MegaPixel)

- 2/3" CCD - QSXGA
 - 15 fps (Full Resolution)
 - CUBE CAMERA (35 x 35 x 40.7mm)
 - w/ OR w/o I/R FILTER
- SEE PAGES 52 & 53 FOR DETAILS.

Comparison Chart

Sentech CameraLink® Cube Cameras



Models	Monochrome Color	STC-CL33A STC-CLC33A	STC-RCL33A STC-RCLC33A	STC-CL83A STC-CLC83A
Resolution:	VGA (0.3MP)		XGA (0.8MP)	
Image Sensor:	1/3" Interline CCD			
Signal Format:	Monochrome or Color			
Frame Rate:	30, 60, 90 fps		30 fps	
Active Picture Element:	648 (H) x 494 (V)		1024 (H) x 768 (V)	
Chip Size (mm):	5.79(H) x 4.89(V)		5.80 (H) x 4.92 (V)	
Cell Size (µm):	7.4 (H) x 7.4 (V)		4.65 (H) x 4.65 (V)	
Vertical Frequency:	94.784Hz		29.59Hz	
Horizontal Frequency:	47.2028kHz		23.23kHz	
Horizontal Drive Frequency:	36.818MHz		29.5MHz	
Scanning Method:	Full Scan / Partial Scan (1/2, 1/4, Variable), Binning w/ B/W			
Sync System:	Internal / External (HD/VD)			
Communication:	RS232 via CameraLink® connector			
Trigger Shutter:	Pulse Width Trigger (V Reset, Non Reset) Edge Preset Trigger (V Reset, Non Reset)			
Shutter Speed:	OFF, 1/2 ~ 1/100,000 (Variable, can be set at every H and clock)			
Minimum Illumination:	0.12 Lux @ F1.2 (B/W) 0.13 Lux @ F1.2 (Color)		0.14 Lux @ F1.2 (B/W) 0.14 Lux @ F1.2 (Color)	
Gain:	Adjustable Fixed Gain (0 ~ 27dB)			
S/N Ratio:	≤ 10 Digit (Gain 0dB)			
Gamma:	1.0			
Lens Mount:	C Mount	M10.5 (P=0.5) w/ male threads	C Mount	
Video Output:	Digital 8 or 10 bit CameraLink® (Base Configuration)			
Optical Filter:	w/ or w/o IR cut Filter	No IR Filter		w/ or w/o IR cut Filter
Optical Center Accuracy:	Position accuracy of H and V direction: +/- 0.31mm, I2°			
Shock and Vibration:	Vibration: 10G (20 to 200Hz) Shock: 70G (3 directions, 3 times each)			
Power:	12V DC +/- 10%			
Power Consumption:	< 1.8W, 150mA			
Operating Temperature:	-5°C ~ 50°C (23°F ~ 122°F)			
Storage Temperature:	-30°C ~ 65 °C (-22°F ~ 140°F)			
Dimensions (mm):	28 (W) x 28 (H) x 46.3 (D)	28 (W) x 28 (H) x 43 (D)	28 (W) x 28 (H) x 46.3 (D)	
Weight:	43g (1.51 oz.)	150g (5.29 oz.)	43g (1.51 oz.)	

STC-CL152A STC-CLC152A	STC-CL202A STC-CLC202A	STC-CL232A STC-CLC232A	STC-CL500A STC-CLC500A
SXGA (1.3MP)	UXGA (2MP)	UXGA (2MP)	QSXGA (5MP)
1/2" Interline CCD	1/1.8" Interline CCD	1/1.8" Interline CCD	2/3" Interline CCD
Monochrome or Color			
15, 19 fps	15 fps	30 fps	16 fps
1360 (H) x 1024 (V)	1620 (H) x 1220 (V)	1620 (H) x 1220 (V)	2448 (H) x 2058 (V)
7.60 (H) x 6.20 (V)	8.50(H) x 6.80(V)	8.50(H) x 6.80(V)	9.93 (H) x 8.70 (V)
4.65 (H) x 4.65 (V)	4.4 (H) x 4.4 (V)	4.4 (H) x 4.4 (V)	3.45 (H) x 3.45 (V)
19.3Hz	15.3164Hz	30.854Hz	16Hz
20.57kHz	19.176kHz	38.352kHz	33.264kHz
36.8181MHz	36.8181MHz	73.636MHz	64.0MHz
Full Scan / Partial Scan (1/2, 1/4, Variable), Binning w/ B/W			
Internal / External (HD/VD)			
RS232 via CameraLink® connector			
Pulse Width Trigger (V Reset, Non Reset) Edge Preset Trigger (V Reset, Non Reset)			
OFF, 1/2 ~ 1/100,000 (Variable, can be set at every H and clock)			See page 53
0.11 Lux @ F1.2 (B/W) 0.13 Lux @ F1.2 (Color)	0.06 Lux @ F1.2 (B/W) 0.08 Lux @ F1.2 (Color)	0.7 Lux @ F1.2 (B/W) 0.92 Lux @ F1.2 (Color)	0.14 Lux @ F1.2 (B/W) 0.14 Lux @ F1.2 (Color)
Adjustable Fixed Gain (0 ~ 27dB)		Adjustable Fixed Gain (0 ~ 25dB)	Adjustable Fixed Gain (0 ~ 25dB)
≤ 10 Digit (Gain 0dB)		≤ 15 Digit (Gain 0dB)	See page 53
1.0			
C Mount			
Digital 8 or 10 bit CameraLink® (Base Configuration)			Digital 8/10/12 Bit CameraLink®, 2 taps
w/ or w/o IR cut Filter			
Position accuracy of H and V direction: +/- 0.31mm, I2°			
Vibration: 10G (20 to 200Hz) Shock: 70G (3 directions, 3 times each)			
12V DC +/- 10%			
< 2.5W, 208mA	< 3.0W, 250mA	< 3.6W, 300mA	
-5°C ~ 50°C (23°F ~ 122°F)	-5°C ~ 45°C (23°F ~ 113°F)	-5°C ~ 40°C (23°F ~ 104°F)	
-30°C ~ 65 °C (-22°F ~ 140°F)			
28 (W) x 28 (H) x 46.3 (D)		28 (W) x 28 (H) x 53.5 (D)	35 (W) x 35 (H) x 40.7 (D)
43g (1.51 oz.)	43g (1.51 oz.)	65.5g (2.31 oz.)	80g (2.82oz.)

Sentech America
1345 Valwood Parkway
Suite 320
Carrollton, TX 75006
USA

Toll Free:
(877) 736-8324
Telephone:
(972) 481-9223
Fax:
(972) 481-9209



Accessories

Cables

Standard to Mini
CAB-CL2M-MINI
CAB-CL3M-MINI
CAB-CL5M-MINI
CAB-CL10M-MINI

Mini to Mini
CAB-CL2M-M2M
CAB-CL3M-M2M
CAB-CL5M-M2M
CAB-CL10M-M2M

Lenses

Various C-Mount Lenses
Various Mega-Pixel Lenses
Various Telecentric Lenses

Tripod Mount

TP-HCA



STC-CL500A/CLC500A

CameraLink® Cameras

New!



STC-CL500A (B/W QSXGA, 15 fps, 5MP)
STC-CLC500A (Color QSXGA, 15 fps, 5MP)

The STC-CL500A/STC-CLC500A is a full featured, cost effective QSXGA digital CameraLink cube camera. This camera delivers a full 5M Pixels resolution at 15 fps. It has a 2/3" CCD with RGB Primary Color Filter for Color or a Monochrome version both of which feature partial scanning and triggering.

FEATURES

- 5 MEGAPIXEL QSXGA AT 15 fps
- COLOR OR MONOCHROME
- 8/10/12 BIT DIGITAL CAMERALINK®
- PARTIAL SCANNING CAPABILITIES
- TRIGGERING CAPABILITIES
- BINNING (B/W MODEL ONLY)
- COMMUNICATION RATE:
 - 9,600 BAUD STANDARD
 - 38,400 BAUD HIGH SPEED
- COMPACT SIZE:
 - 35(W) x 35(H) x 40.7(D) mm

CAMERALINK® MONOCHROME & COLOR

5 MEGAPIXEL QSXGA 15 FPS



Models	STC-CL500A	STC-CLC500A
Resolution:	QSXGA (5 MegaPixel)	
Image Sensor:	2/3" interline CCD: ICX625AL	2/3" interline CCD: ICX625AQ
Signal Format:	Monochrome Progressive	Color Progressive
Frame Rate:	16 fps	
Active Picture Element:	2448 (H) x 2058 (V)	
Chip Size (mm):	9.93 (H) x 8.70 (V)	
Cell Size (µm):	3.45 (H) x 3.45 (V)	
Vertical Frequency:	16Hz	
Horizontal Frequency:	33.264kHz	
Horizontal Drive Frequency:	64.0MHz	
Scanning Method:	Full Scan / Partial Scan (1/2, 1/4, Variable), Binning w/ B/W	
Sync System:	Internal / External (HD/VD)	
Communications:	RS232 via CameraLink® connector	
Trigger Shutter:	Pulse Width Trigger (V Reset, Non Reset) Edge Preset Trigger (V Reset, Non Reset)	
Shutter Speed:	OFF, 1/8 to 1/209,000 sec. (Variable at every H and clock)	
Minimum Illumination:	0.14 Lux @ F1.2, 50 IRE	
Gain:	Adjustable Fixed Gain (0 ~ 25dB)	
S/N Ratio:	8bit output: ≤ 4 Digit (Gain 0dB) 10bit output: ≤ 15 Digit (Gain 0dB) 12bit output: ≤ 60 Digit (Gain 0dB)	
Gamma:	1.0	
Lens Mount:	C Mount	
Video Output:	Digital 8/10/12 bit CameraLink® (Base Configuration), 2 taps	
Optical Filter:	w/ or w/o IR Filter	
Optical Center Accuracy:	Position accuracy of H and V direction: +/- 0.31mm	
Shock and Vibration:	Vibration: 10G (20 to 200Hz) Shock: 70G (3 directions, 3 times each)	
Power:	12V DC +/- 10%	
Power Consumption:	< 3.6W, 300mA	
Operation Temperature:	-5°C ~ 40°C (23°F ~ 104°F)	
Storage Temperature:	-30°C ~ 65 °C (-22°F ~ 140°F)	
Dimensions:	35(W) x 35(H) x 40.7*(D) mm (1.37" x 1.37" x 1.60") *C-Mount to end of the connector	
Weight:	80g (2.82 oz.)	

Sentech America
1345 Valwood Parkway
Suite 320
Carrollton, TX 75006
USA

Toll Free:
(877) 736-8324
Telephone:
(972) 481-9223
Fax:
(972) 481-9209



Accessories

Cables

Standard to Mini
CAB-CL2M-MINI
CAB-CL3M-MINI
CAB-CL5M-MINI
CAB-CL10M-MINI

Mini to Mini
CAB-CL2M-M2M
CAB-CL3M-M2M
CAB-CL5M-M2M
CAB-CL10M-M2M

Lenses

Various C-Mount Lenses
Various Mega-Pixel Lenses
Various Telecentric Lenses

Tripod Mount

TP-HCA

STC-CL232A/CLC232A

CameraLink® Cameras

New!



STC-CL232A (B/W UXGA, 30 fps, 2MP)
STC-CLC232A (Color UXGA, 30 fps, 2MP)

The STC-CL232A/STC-CLC232A is a full featured, cost effective UXGA digital CameraLink cube camera. This camera delivers a full 2M Pixels resolution at 30 fps. It has a 1/1.8" CCD with RGB Primary Color Filter for Color or a Monochrome version both of which feature partial scanning and triggering.

FEATURES

- 2 MEGAPIXEL UXGA AT 30 fps Full Resolution
- COLOR OR MONOCHROME
- 8/10 BIT DIGITAL CAMERALINK®
- PARTIAL SCANNING CAPABILITIES
- TRIGGERING CAPABILITIES
- BINNING (B/W MODEL ONLY)
- COMMUNICATION RATE:
 - 9,600 BAUD STANDARD
 - 38,400 BAUD HIGH SPEED
- COMPACT SIZE:
 - 28(W) x 28(H) x 53.5(D) mm

CAMERALINK® MONOCHROME & COLOR

2 MEGAPIXEL UXGA 30 FPS



Models	STC-CL232A	STC-CLC232A
Resolution:	UXGA (2 MegaPixel)	UXGA (2 MegaPixel)
Image Sensor:	1/1.8" Interline CCD: ICX274AL	1/1.8" Interline CCD: ICX274AQ
Signal Format:	Monochrome Progressive	Color Progressive
Frame Rate:	30 fps	
Active Picture Element:	1620 (H) x 1220 (V)	
Chip Size (mm):	8.50 (H) x 6.80 (V)	
Cell Size (µm):	4.4 (H) x 4.4 (V)	
Vertical Frequency:	30.854Hz	
Horizontal Frequency:	38.352kHz	
Horizontal Drive Frequency:	73.636MHz	
Scanning Method:	Full Scan / Partial Scan (1/2, 1/4, Variable), Binning w/ B/W	
Sync System:	Internal / External (HD/VD)	
Communications:	RS232 via CameraLink® connector	
Trigger Shutter:	Pulse Width Trigger (V Reset, Non Reset) Edge Preset Trigger (V Reset, Non Reset)	
Shutter Speed:	OFF, 1/2 ~ 1/100,000 (Variable, can be set at every H and clock)	
Minimum Illumination:	0.7 Lux @ F1.2, 50 IRE	0.92 Lux @ F1.2, 50 IRE
Gain:	Adjustable Fixed Gain (0 ~ 25dB)	
S/N Ratio:	≤ 15 Digit (Gain 0dB)	
Gamma:	1.0	
Lens Mount:	C Mount	
Video Output:	Digital 8 or 10 bit CameraLink® (Base Configuration)	
Optical Filter:	w/ or w/o IR Filter	
Optical Center Accuracy:	Position accuracy of H and V direction: +/- 0.31mm	
Shock and Vibration:	Vibration: 10G (20 to 200Hz) Shock: 70G (3 directions, 3 times each)	
Power:	12V DC +/- 10%	
Power Consumption:	< 4.0W, 333mA	
Operation Temperature:	-5°C ~ 40°C (23°F ~ 104°F)	
Storage Temperature:	-30°C ~ 65°C (-22°F ~ 140°F)	
Dimensions:	28(W) x 28(H) x 53.5*(D) mm (1.1" x 1.1" x 2.1") *C-Mount to end of the connector	
Weight:	65.5g (2.31 oz.)	

Sentech America
1345 Valwood Parkway
Suite 320
Carrollton, TX 75006
USA

Toll Free:
(877) 736-8324
Telephone:
(972) 481-9223
Fax:
(972) 481-9209

Accessories

Cables

Standard to Mini
CAB-CL2M-MINI
CAB-CL3M-MINI
CAB-CL5M-MINI
CAB-CL10M-MINI

Mini to Mini
CAB-CL2M-M2M
CAB-CL3M-M2M
CAB-CL5M-M2M
CAB-CL10M-M2M

Lenses

LEN-RCL33A-L3
LEN-RCL33A-L6
LEN-RCL33A-L16
LEN-RCL33A-L30

Tripod Mount

TP-HCA

Head Options



STC-RCL33A-R3
12 (W) x 12 (H) x 44(D) mm



STC-RCL33A-C3
17 (W) x 17 (H) x 10.5 (D) mm

STC-RCL33A/RCLC33A

CameraLink® Remote Head Cameras

New!



STC-RCL33A (B/W VGA, 30, 60, 90 fps, 0.3MP)
STC-RCLC33A (Color VGA, 30, 60, 90 fps, 0.3MP)

The STC-RCL33A/RCLC33A camera is a micro remote head VGA high speed machine vision CameraLink® camera. This series features two styles of remote head which allow the user to gain access to very small, tight spaces. This camera can output up to 90 fps, features full triggering, partial scan and can have communication rates up to 38,000 baud.

FEATURES

- VGA (30, 60, 90 fps)
- MONOCHROME OR COLOR DIGITAL CAMERA LINK®
- PARTIAL SCANNING CAPABILITIES
- TRIGGERING CAPABILITIES
- BINNING
- COMMUNICATION RATE:
 - 9,600 BAUD STANDARD
 - 38,400 BAUD HIGH SPEED
- COMPACT SIZE: 28(W) x 28(H) x 43(D) mm

REMOTE HEAD CAMERA LINK® MONOCHROME & COLOR

VGA (0.3MP)



Models	STC-RCL33A	STC-RCLC33A
Resolution:	VGA (0.3 MegaPixel)	
Image Sensor:	1/3" interline CCD: ICX424AL	1/3" interline CCD: ICX424AQ
Signal Format:	Monochrome Progressive	Color Progressive
Frame Rate:	30, 60, 90 fps	
Active Picture Element:	648 (H) x 494 (V)	
Chip Size (mm):	5.79(H) x 4.89(V)	
Cell Size (µm):	7.4 (H) x 7.4 (V)	
Vertical Frequency:	94.784Hz	
Horizontal Frequency:	47.2028kHz	
Horizontal Drive Frequency:	36.8181MHz	
Scanning Method:	Full Scan / Partial Scan (1/2, 1/4, Variable), Binning w/ B/W	
Sync System:	Internal / External (HD/VD)	
Communications:	RS232 via CameraLink® connector	
Trigger Shutter:	Pulse Width Trigger (V Reset, Non Reset) Edge Preset Trigger (V Reset, Non Reset)	
Shutter Speed:	OFF, 1/2 ~ 1/100,000 (Variable, can be set at every H and clock)	
Minimum Illumination:	0.12 Lux @ F1.2, 50 IRE	0.13 Lux @ F1.2, 50 IRE
Gain:	Adjustable Fixed Gain (0 ~ 27dB)	
S/N Ratio:	≤ 10 Digit (Gain 0dB)	
Gamma:	1.0	
Lens Mount:	M10.5 (P=0.5) w/ male threads	
Video Output:	Digital 8 or 10 bit CameraLink® (Base Configuration)	
Optical Filter:	No IR Filter	
Optical Center Accuracy:	Position accuracy of H and V direction: +/- 0.31mm	
Shock and Vibration:	Vibration: 10G (20 to 200Hz) Shock: 70G (3 directions, 3 times each)	
Power:	12V DC +/- 10%	
Power Consumption:	< 1.8W, 150mA	
Operation Temperature:	-5°C ~ 50°C (23°F ~ 122°F)	
Storage Temperature:	-30°C ~ 65 °C (-22°F ~ 140°F)	
CCU Dimensions:	28 (W) x 28 (H) x 43* (D) mm (1.1" x 1.1" x 1.7") *C-Mount to end of the connector	
Weight:	150g (5.29 oz.)	

Sentech America
1345 Valwood Parkway
Suite 320
Carrollton, TX 75006
USA

Toll Free:
(877) 736-8324
Telephone:
(972) 481-9223
Fax:
(972) 481-9209



Accessories

Cables

Standard to Mini
CAB-CL2M-MINI
CAB-CL3M-MINI
CAB-CL5M-MINI
CAB-CL10M-MINI

Mini to Mini
CAB-CL2M-M2M
CAB-CL3M-M2M
CAB-CL5M-M2M
CAB-CL10M-M2M

Lenses

Various C-Mount Lenses
Various Mega-Pixel Lenses
Various Telecentric Lenses

Tripod Mount

TP-HCA

STC-CLC33A/83A

CameraLink® Color Cube Cameras



STC-CLC33A (VGA, 30, 60, 90 fps, 0.3MP)
STC-CLC83A (XGA, 30 fps, 0.8MP)

The STC-CLC33A and STC-CLC83A Color cameras are full featured CameraLink® machine vision cameras. Their small size 28 x 28 x 46.3mm allows them to fit into the tightest physical configurations. This series offers B/W and Color versions for both VGA and XGA sensors.

FEATURES

- VGA (30, 60, 90 fps) & XGA (30 fps)
- COLOR DIGITAL CAMERA LINK®
- PARTIAL SCANNING CAPABILITIES
- TRIGGERING CAPABILITIES
- COMMUNICATION RATE:
 - 9,600 BAUD STANDARD
 - 38,400 BAUD HIGH SPEED
- COMPACT SIZE:
 - 28(W) x 28(H) x 46.3(D) mm

CAMERA LINK® COLOR

VGA (0.3MP) & XGA (0.8MP)



Models	STC-CLC33A	STC-CLC83A
Resolution:	VGA (0.3 MegaPixel)	XGA (0.8 MegaPixel)
Image Sensor:	1/3" interline CCD: ICX424AQ	1/3" interline CCD: ICX204AK
Signal Format:	Color Progressive	
Frame Rate:	30, 60, 90 fps	30 fps
Active Picture Element:	648 (H) x 494 (V)	1024 (H) x 768 (V)
Chip Size (mm):	5.79(H) x 4.89(V)	5.80 (H) x 4.92 (V)
Cell Size (µm):	7.4 (H) x 7.4 (V)	4.65 (H) x 4.65 (V)
Vertical Frequency:	94.784Hz	29.2Hz
Horizontal Frequency:	47.2028kHz	23.23kHz
Horizontal Drive Frequency:	36.8181MHz	29.5MHz
Scanning Method:	Full Scan / Partial Scan (1/2, 1/4, Variable)	
Sync System:	Internal / External (HD/VD)	
Communications:	RS232 via CameraLink® connector	
Trigger Shutter:	Pulse Width Trigger (V Reset, Non Reset) Edge Preset Trigger (V Reset, Non Reset)	
Shutter Speed:	OFF, 1/2 ~ 1/100,000 (Variable, can be set at every H and clock)	
Minimum Illumination:	0.13 Lux @ F1.2, 50 IRE	0.14 Lux @ F1.2, 50 IRE
Gain:	Adjustable Fixed Gain (0 ~ 27dB)	
S/N Ratio:	≤ 10 Digit (Gain 0dB)	
Gamma:	1.0	
Lens Mount:	C Mount	
Video Output:	Digital 8 or 10 bit CameraLink® (Base Configuration)	
Optical Filter:	w/ or w/o IR Filter	
Optical Center Accuracy:	Position accuracy of H and V direction: +/- 0.31 mm	
Shock and Vibration:	Vibration: 10G (20 to 200Hz) Shock: 70G (3 directions, 3 times each)	
Power:	12V DC +/- 10%	
Power Consumption:	< 1.8W, 150mA	
Operation Temperature:	-5°C ~ 50°C (23°F ~ 122°F)	
Storage Temperature:	-30°C ~ 65 °C (-22°F ~ 140°F)	
Dimensions:	28 (W) x 28 (H) x 46.3* (D) mm (1.1" x 1.1" x 1.8") *C-Mount to end of the connector	
Weight:	43g (1.51 oz.)	

Sentech America
1345 Valwood Parkway
Suite 320
Carrollton, TX 75006
USA

Toll Free:
(877) 736-8324
Telephone:
(972) 481-9223
Fax:
(972) 481-9209



STC-CLC152A/202A

CameraLink® Color Cube Cameras



STC-CLC152A (SXGA, 15, 19 fps, 1.3MP)
STC-CLC202A (UXGA, 15 fps, 2MP)

The STC-CLC152A and STC-CLC202A Color cameras are full featured CameraLink® machine vision cameras. Their small size 28 x 28 x 46.3mm allows them to fit into the tightest physical configurations. This series offers B/W and Color versions for both SXGA and UXGA sensors.

FEATURES

- SXGA (15, 19 fps) & UXGA (15 fps)
- COLOR DIGITAL CAMERA LINK®
- PARTIAL SCANNING CAPABILITIES
- TRIGGERING CAPABILITIES
- COMMUNICATION RATE:
 - 9,600 BAUD STANDARD
 - 38,400 BAUD HIGH SPEED
- COMPACT SIZE:
 - 28(W) x 28(H) x 46.3(D) mm

Accessories

Cables

Standard to Mini
CAB-CL2M-MINI
CAB-CL3M-MINI
CAB-CL5M-MINI
CAB-CL10M-MINI

Mini to Mini
CAB-CL2M-M2M
CAB-CL3M-M2M
CAB-CL5M-M2M
CAB-CL10M-M2M

Lenses

Various C-Mount Lenses
Various Mega-Pixel Lenses
Various Telecentric Lenses

Tripod Mount

TP-HCA

CAMERA LINK®

COLOR

SXGA (1.3MP) & UXGA (2MP)



Models	STC-CLC152A	STC-CLC202A
Resolution:	SXGA (1.3 MegaPixel)	UXGA (2 MegaPixel)
Image Sensor:	1/2" interline CCD: ICX205AK	1/1.8" interline CCD: ICX274AQ
Signal Format:	Color Progressive	
Frame Rate:	15, 19 fps	15 fps
Active Picture Element:	1360 (H) x 1024 (V)	1620 (H) x 1220 (V)
Chip Size (mm):	7.60 (H) x 6.20 (V)	8.50 (H) x 6.80 (V)
Cell Size (µm):	4.65 (H) x 4.65 (V)	4.4 (H) x 4.4 (V)
Vertical Frequency:	19.3Hz	15.3164Hz
Horizontal Frequency:	20.57kHz	19.176kHz
Horizontal Drive Frequency:	36.8181MHz	36.8181MHz
Scanning Method:	Full Scan / Partial Scan (1/2, 1/4, Variable)	
Sync System:	Internal / External (HD/VD)	
Communications:	RS232 via CameraLink® connector	
Trigger Shutter:	Pulse Width Trigger (V Reset, Non Reset) Edge Preset Trigger (V Reset, Non Reset)	
Shutter Speed:	OFF, 1/2 ~ 1/100,000 (Variable, can be set at every H and clock)	
Minimum Illumination:	0.13 Lux @ F1.2, 50 IRE	0.08 Lux @ F1.2, 50 IRE
Gain:	Adjustable Fixed Gain (0 ~ 27dB)	
S/N Ratio:	≤ 10 Digit (Gain 0dB)	
Gamma:	1.0	
Lens Mount:	C Mount	
Video Output:	Digital 8 or 10 bit CameraLink® (Base Configuration)	
Optical Filter:	w/ or w/o IR Filter	
Optical Center Accuracy:	Position accuracy of H and V direction: +/- 0.31 mm	
Shock and Vibration:	Vibration: 10G (20 to 200Hz) Shock: 70G (3 directions, 3 times each)	
Power:	12V DC +/- 10%	
Power Consumption:	< 2.5W, 208mA	< 3.0W, 250mA
Operation Temperature:	-5°C ~ 45°C (23°F ~ 113°F)	
Storage Temperature:	-30°C ~ 65°C (-22°F ~ 140°F)	
Dimensions:	28 (W) x 28 (H) x 46.3* (D) mm (1.1" x 1.1" x 1.8") *C-Mount to end of the connector	
Weight:	43g (1.51 oz.)	

Sentech America
1345 Valwood Parkway
Suite 320
Carrollton, TX 75006
USA

Toll Free:
(877) 736-8324
Telephone:
(972) 481-9223
Fax:
(972) 481-9209

STC-CL33A/83A

CameraLink® B/W Cube Cameras



STC-CL33A (VGA, 30, 60, 90 fps, 0.3MP)
STC-CL83A (XGA, 30 fps, 0.8MP)

STC-CL33A & STC-CL83A Monochrome cameras are full featured CameraLink® machine vision cameras. Their small size 28 x 28 x 46.3mm allows them to fit into the tightest physical configurations. This series offers B/W and Color versions for both VGA and XGA sensors.

FEATURES

- VGA (30, 60, 90 fps) & XGA (30 fps)
- MONOCHROME DIGITAL CAMERA LINK®
- PARTIAL SCANNING CAPABILITIES
- TRIGGERING CAPABILITIES
- BINNING
- COMMUNICATION RATE:
 - 9,600 BAUD STANDARD
 - 38,400 BAUD HIGH SPEED
- COMPACT SIZE:
 - 28(W) x 28(H) x 46.3(D) mm

Accessories

Cables

Standard to Mini
CAB-CL2M-MINI
CAB-CL3M-MINI
CAB-CL5M-MINI
CAB-CL10M-MINI

Mini to Mini
CAB-CL2M-M2M
CAB-CL3M-M2M
CAB-CL5M-M2M
CAB-CL10M-M2M

Lenses

Various C-Mount Lenses
Various Mega-Pixel Lenses
Various Telecentric Lenses

Tripod Mount

TP-HCA

CAMERA LINK® MONOCHROME VGA (0.3MP) & XGA (0.8MP)



Models	STC-CL33A	STC-CL83A
Resolution:	VGA (0.3 MegaPixel)	XGA (0.8 MegaPixel)
Image Sensor:	1/3" interline CCD: ICX424AL	1/3" interline CCD: ICX204AL
Signal Format:	Monochrome Progressive	
Frame Rate:	30, 60, 90 fps	30 fps
Active Picture Element:	648 (H) x 494 (V)	1024 (H) x 768 (V)
Chip Size (mm):	5.79(H) x 4.89(V)	5.80 (H) x 4.92 (V)
Cell Size (µm):	7.4 (H) x 7.4 (V)	4.65 (H) x 4.65 (V)
Vertical Frequency:	94.784Hz	29.2Hz
Horizontal Frequency:	47.2028kHz	23.23kHz
Horizontal Drive Frequency:	36.8181MHz	29.5MHz
Scanning Method:	Full Scan / Partial Scan (1/2, 1/4, Variable), Binning	
Sync System:	Internal / External (HD/VD)	
Communications:	RS232 via CameraLink® connector	
Trigger Shutter:	Pulse Width Trigger (V Reset, Non Reset) Edge Preset Trigger (V Reset, Non Reset)	
Shutter Speed:	OFF, 1/2 ~ 1/100,000 (Variable, can be set at every H and clock)	
Minimum Illumination:	0.12 Lux @ F1.2, 50 IRE	0.14 Lux @ F1.2, 50 IRE
Gain:	Adjustable Fixed Gain (0 ~ 27dB)	
S/N Ratio:	≤ 10 Digit (Gain 0dB)	
Gamma:	1.0	
Lens Mount:	C Mount	
Video Output:	Digital 8 or 10 bit CameraLink® (Base Configuration)	
Optical Filter:	w/ or w/o IR Filter	
Optical Center Accuracy:	Position accuracy of H and V direction: +/- 0.31 mm	
Shock and Vibration:	Vibration: 10G (20 to 200Hz) Shock: 70G (3 directions, 3 times each)	
Power:	12V DC +/- 10%	
Power Consumption:	< 1.8W, 150mA	
Operation Temperature:	-5°C ~ 50°C (23°F ~ 122°F)	
Storage Temperature:	-30°C ~ 65 °C (-22°F ~ 140°F)	
Dimensions:	28 (W) x 28 (H) x 46.3* (D) mm (1.1" x 1.1" x 1.8") *C-Mount to end of the connector	
Weight:	43g (1.51 oz.)	

Sentech America
1345 Valwood Parkway
Suite 320
Carrollton, TX 75006
USA

Toll Free:
(877) 736-8324
Telephone:
(972) 481-9223
Fax:
(972) 481-9209

STC-CL152A/202A

CameraLink® B/W Cube Cameras



STC-CL152A (SXGA, 15, 19 fps, 1.3MP)
STC-CL202A (UXGA, 15 fps, 2MP)

STC-CL152A & STC-CL202A Monochrome cameras are full featured CameraLink® machine vision cameras. Their small size 28 x 28 x 46.3mm allows them to fit into the tightest physical configurations. This series offers B/W and Color versions for both SXGA and UXGA sensors.

FEATURES

- SXGA (15, 19 fps) & UXGA (15 fps)
- MONOCHROME DIGITAL CAMERA LINK®
- PARTIAL SCANNING CAPABILITIES
- TRIGGERING CAPABILITIES
- BINNING
- COMMUNICATION RATE:
 - 9,600 BAUD STANDARD
 - 38,400 BAUD HIGH SPEED
- COMPACT SIZE:
28(W) x 28(H) x 46.3(D) mm

Accessories

Cables

Standard to Mini
CAB-CL2M-MINI
CAB-CL3M-MINI
CAB-CL5M-MINI
CAB-CL10M-MINI

Mini to Mini
CAB-CL2M-M2M
CAB-CL3M-M2M
CAB-CL5M-M2M
CAB-CL10M-M2M

Lenses

Various C-Mount Lenses
Various Mega-Pixel Lenses
Various Telecentric Lenses

Tripod Mount

TP-HCA

CAMERA LINK® MONOCHROME SXGA (1.3MP) & UXGA (2MP)



Models	STC-CL152A	STC-CL202A
Resolution:	SXGA (1.3 MegaPixel)	UXGA (2 MegaPixel)
Image Sensor:	1/2" interline CCD: ICX205AL	1/1.8" interline CCD: ICX274AL
Signal Format:	Monochrome Progressive	
Frame Rate:	15, 19 fps	15 fps
Active Picture Element:	1360 (H) x 1024 (V)	1620 (H) x 1220 (V)
Chip Size (mm):	7.60 (H) x 6.20 (V)	8.50 (H) x 6.80 (V)
Cell Size (µm):	4.65 (H) x 4.65 (V)	4.4 (H) x 4.4 (V)
Vertical Frequency:	19.3Hz	15.3164Hz
Horizontal Frequency:	20.57kHz	19.176kHz
Horizontal Drive Frequency:	36.8181MHz	36.8181MHz
Scanning Method:	Full Scan / Partial Scan (1/2, 1/4, Variable), Binning	
Sync System:	Internal / External (HD/VD)	
Communications:	RS232 via CameraLink® connector	
Trigger Shutter:	Pulse Width Trigger (V Reset, Non Reset) Edge Preset Trigger (V Reset, Non Reset)	
Shutter Speed:	OFF, 1/2 ~ 1/100,000 (Variable, can be set at every H and clock)	
Minimum Illumination:	0.11 Lux @ F1.2, 50 IRE	0.06 Lux @ F1.2, 50 IRE
Gain:	Adjustable Fixed Gain (0 ~ 27dB)	
S/N Ratio:	≤ 10 Digit (Gain 0dB)	
Gamma:	1.0	
Lens Mount:	C Mount	
Video Output:	Digital 8 or 10 bit CameraLink® (Base Configuration)	
Optical Filter:	w/ or w/o IR Filter	
Optical Center Accuracy:	Position accuracy of H and V direction: +/- 0.31mm	
Shock and Vibration:	Vibration: 10G (20 to 200Hz) Shock: 70G (3 directions, 3 times each)	
Power:	12V DC +/- 10%	
Power Consumption:	< 2.5W, 208mA	< 3.0W, 250mA
Operation Temperature:	-5°C ~ 45°C (23°F ~ 113°F)	
Storage Temperature:	-30°C ~ 65°C (-22°F ~ 140°F)	
Dimensions:	28 (W) x 28 (H) x 46.3* (D) mm (1.1" x 1.1" x 1.8") *C-Mount to end of the connector	
Weight:	43g (1.51 oz.)	