



6" LED Lightline, A25081

**Mechanical Specifications**

Height:	1.82" (46.2 mm)
Width:	1" (25.4 mm)
Mounting:	M4 Mounting Holes
Connector Type:	8 PIN DIN Connector
Cable Length:	78 <sup>3</sup> / <sub>4</sub> " (2 m)
Housing Type:	Black Anodized Aluminum
Temperature Range:	Operating 0 °C to + 40 °C
Temperature Range:	Storage - 40 °C to + 80 °C

Working Distance mm	Line width mm
100 ± 20	8
80 ± 10	4
60 ± 10	3
50 ± 5	2
45 ± 5	2
40 ± 5	5
25 ± 5	3
20 ± 2	2
17 ± 2	1
14 ± 1	1
10 ± 1	1

Working Distances for red LED

LED Lightline							
Length	4" (102 mm)	6" (152 mm)	8" (203 mm)	10" (254 mm)	16" (406 mm)	24" (609 mm)	40" (1016 mm)
No of LED	36	54	72	90	144	180	360
Current**	240 mA	360 mA	480 mA	600 mA	960 mA	1200 mA	2400 mA
<b>12 volt operation</b>							
Red 636 nm	A 25080*	A 25081	A 25082*	A 25083*	A 25084*	A 25085*	A 25086*
Green 518 nm	A 25080.1*	A 25081.2*	A 25082.2*	A 25083.2*	A 25084.2*	A 25085.2*	A 25086.2*
Yellow 590 nm	A 25080.3*	A 25081.3*	A 25082.3*	A 25083.3*	A 25084.3*	A 25085.3*	A 25086.3*
IR 860 nm	A 25080.5*	A 25081.5*	A 25082.5*	A 25083.5*	A 25084.5*	A 25085.5*	A 25086.5*
<b>24 volt Operation</b>							
White	A 25080.1*	A 25081.1	A 25082.1*	A 25083.1*	A 25084.1*	A 25085.1*	A 25086.1*
Blue 468 nm	A 25080.4*	A 25081.4*	A 25082.4*	A 25083.4*	A 25084.4*	A 25085.4*	A 25086.4*

\* Lead time required

\*\* Nominal forward current for continuous use

# LED Lightline

*Uniform lines of light for Machine Vision and Inspection applications.***Patented Features**

- Flexible design allows a variation of working distances with corresponding line widths (see chart below). User can position LED PCB and included lens set in discrete distances according to the requirements.
- Heat sink dissipates heat buildup to improve light output and extend component life.
- Intelligent design facilitates monitoring of light head temperature and intensity through continuous feedback via the built-in thermistor and photo diode (Contact SCHOTT for details).

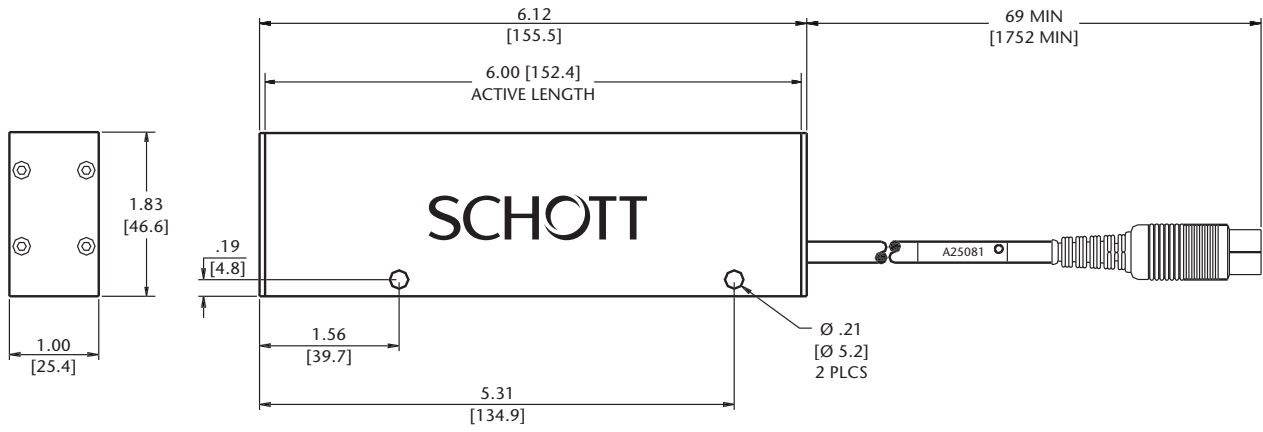
**Standard Features**

- LED-Type: Standard Surface Mount LED
- Uniformity ± 10%, measured with a specified number of gray scales at a mean of 200 with a gamma setting of 1.0.
- Use in steady-state mode as a general purpose line light, or strobed to freeze motion, reduce exposure times and increase processing speed. In overdrive mode, light intensity can be increased by a factor of 3 times using the Ultra LX Interface (pulse width • 10 ms, duty cycle • 1/10).
- Rugged aluminum body with black anodized finish.
- One year warranty.
- Manufactured in the USA.

**Options**

- Custom lengths available. Lead time required.
- Lightline holders and support products available.
- Version available with just a diffuser plate that creates a small backlight for applications with limited space.

# LED Lightline



TECHNICAL SPECIFICATIONS

# SCHOTT