

Mini LED Ringlight, A25070

Mechanical Specifications

Mounting:	M4 Mounting Holes
Connector Type:	8 Pin DIN Connector
Cable Length:	75.5" (2 M)
Housing Type:	Black Anodized Aluminum
Temperature Range:	Operating – 20 °C to + 40 °C
Temperature Range:	Storage – 40 °C to + 80 °C
Outside diameter:	2.68" (68.1 mm)
Inside diameter:	1.28" (32.51 mm)
Height:	1.10" (27.9 mm)
Weight of head:	0.49 lb. (254 gm)

Mini LED Ringlight

For 19 to 32.5 mm Objective Diameters

SCHOTT LED ringlights emit intense, uniform, and shadow-free illumination for Machine Vision and Microscopy applications.

Patented Features

- Matrix plate heat sink dissipates heat buildup to improve light output and extend component life.
- Matrix circuit design that maximizes reliability by isolating failures to individual LEDs.
- Intelligent design facilitates monitoring of light head temperature and intensity through continuous feedback via the built-in thermistor and photodiode (contact SCHOTT for details).

Standard Features

- Fits microscope and camera objectives from 19 to 32.5 mm.
- Standard LED: Ø 3 mm T1-housing
- Working distance: 3" to 8" (76 to 203 mm)
- Use in a steady-state mode as a general purpose area light, or in strobe mode to freeze motion, reduce exposure times and increase processing speed.
- Thumbscrew mounting system for precise positioning. Ringlights fit directly on most microscope and camera objectives without adapters. To replace lost thumbscrews, use part number A29501.
- The ringlight body is made of rugged, black anodized aluminum.
- Works with LED Controllers from the iQLED Series.
- One year warranty.
- Manufactured in the USA.

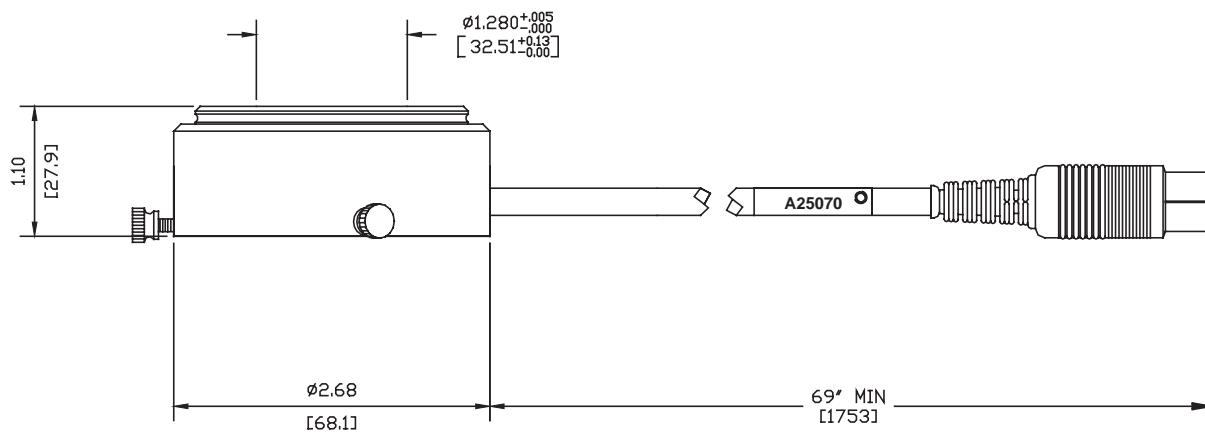
Ringlight and Accessories

Description	Part. No	Color	No. of Leds	Peak-Wavelength	Current**	Size [mm]
LED Ringlight	A25070	Red	64	630 nm	780 mA	19/32.5
	A25070.1	White	64	630 nm	560 mA	19/32.5

Mini LED Ringlight

Dimensions in () are in mm

Ringlight Input: Black Anodized Aluminum



A25070, A25070.1 - 19 / 32.5 mm LED Ringlights