



LED Darkfield Ringlight, A25060

Mechanical Specifications

Mounting:	M4 Mounting Holes
Connector Type:	8 Pin DIN Connector
Cable Length:	78 ³ / ₄ " (2 M)
Housing Type:	Black Anodized Aluminum
Temperature Range:	Operating – 20 °C to + 40 °C
Temperature Range:	Storage – 40 °C to + 80 °C
Outside diameter:	4.96" (126 mm)
Inside diameter:	2.6" (66 mm)
Height	1" (25.4 mm)
Weight of head:	0.53 lb. (240 gm), with cable: 0.75 lb. (340 gm)

LED Darkfield Ringlight

Low-angle lighting creates "darkfield" effects that enhance the contrast of surface features. Perfect for BGA (Ball Grid Array) and bottle-top inspection.

Patented Features

- Matrix circuit design that maximizes reliability by isolating failures to individual LEDs.
- Intelligent design facilitates monitoring of lighthouse temperature and intensity through continuous feedback via the built-in thermistor and photo-diode (Contact SCHOTT for details).

Standard Features

- Standard LED: Ø 3 mm T1-housing
- Working distance: .25" to 1" (6.35 to 25.4 mm)
- Use in a steady state-mode as a general purpose area light, or in strobe mode to freeze motion, reduce exposure times and increase processing speed. In overdrive mode, light intensity can be increased by a factor of 3 times using the Ultra LX Interface (pulse width • 10 ms, duty cycle • 1/10).
- One year warranty.
- Manufactured in the USA.

LED Darkfield Ringlight

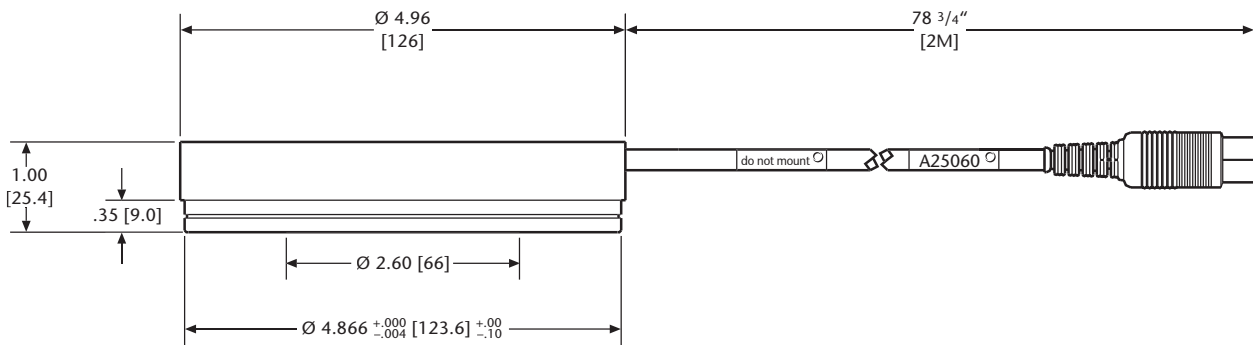
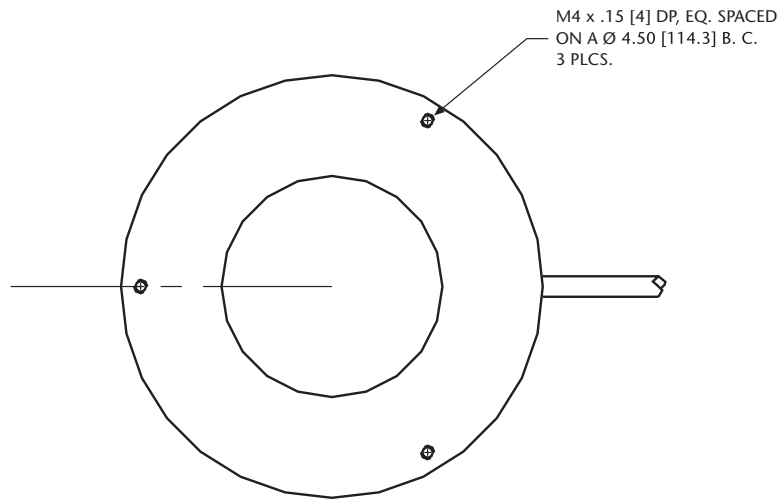
Part No.	Color	No. of Leds	Peak-Wavelength	Current**	Size [mm]
A25060	Red	75	630 nm	300 mA	66/126
A25060.1*	White	75	–	300 mA	66/126
A25060.2*	Green	75	574 nm	300 mA	66/126
A25060.4*	Blue	75	460–470 nm	300 mA	66/126
A25060.5*	UV	75	375 nm	300 mA	66/126
A25060.6*	IR	75	860 nm	300 mA	66/126

* Lead-time required

** Nominal forward current for continuous use

LED Darkfield Ringlight

TECHNICAL SPECIFICATIONS



LED Ringlight, A25060