

LED Ringlight, A25040

Mechanical Specifications	
Mounting:	M4 Mounting Holes
Connector Type:	8 Pin DIN Connector
Cable Length:	78 ³ / ₄ " (2 M)
Housing Type:	Black Anodized Aluminum
Temperature Range:	Operating – 20 °C to + 40 °C
Temperature Range:	Storage – 40 °C to + 80 °C
Outside diameter:	4.96" (126 mm)
Inside diameter:	2.6" (66 mm)
Height:	1" (25.4 mm)
Weight of head:	0.56 lb. (350 gm), with cable: 0.77 lb. (350 gm)

LED Ringlight

The uniform, shadow-free illumination of our ringlight enhances pattern recognition.

Patented Features

- Matrix plate heat sink dissipates heat buildup to improve light output and extend component life.
- Matrix circuit design that maximizes reliability by isolating failures to individual LEDs.
- Intelligent design facilitates monitoring of light head temperature and intensity through continuous feedback via the built-in thermistor and photo-diode (Contact SCHOTT for further details).

Standard Features

- Standard LED: Ø 3 mm T1-housing
- Working distance: 3" to 8" (76 to 203 mm)
- Use in a steady-state mode as a general purpose area light, or in strobe mode to freeze motion, reduce exposure times and increase processing speed. In overdrive mode, light intensity can be increased by a factor of 3 times using the Ultra LX Interface (pulse width • 10 ms, duty cycle • 1/10).
- One year warranty.
- Manufactured in the USA.

Ringlight and Accessories						
Description	Part. No	Color	No. of Leds	Peak-Wavelength	Current**	Size [mm]
Lighthead						
LED Ringlight	A25040	Red	193	630 nm	780 mA	66/126
	Custom	Red	138 (2 rows)	630 nm	560 mA	66/126
	Custom	Red	74 (1 row)	630 nm	300 mA	66/126
	A25040.1*	White	193	–	780 mA	66/126
	Custom	White	138 (2 rows)	–	560 mA	66/126
	Custom	White	74 (1 row)	–	300 mA	66/126
	A25040.2*	Green	193	574 nm	780 mA	66/126
	A25040.3*	Yellow	193	595 nm	780 mA	66/126
	A25040.4*	Blue	193	460–470 nm	780 mA	66/126
	A25040.5*	UV	193	375 nm	780 mA	66/126
	A25040.6*	IR	193	875 nm	780 mA	66/126
Accessories						
Polarizer	A25041	enhances contrast on highly reflective surfaces				
Window	A25043	protects from dust				
Diffuse Dome	A25045	for diffuse shadowfree illumination				

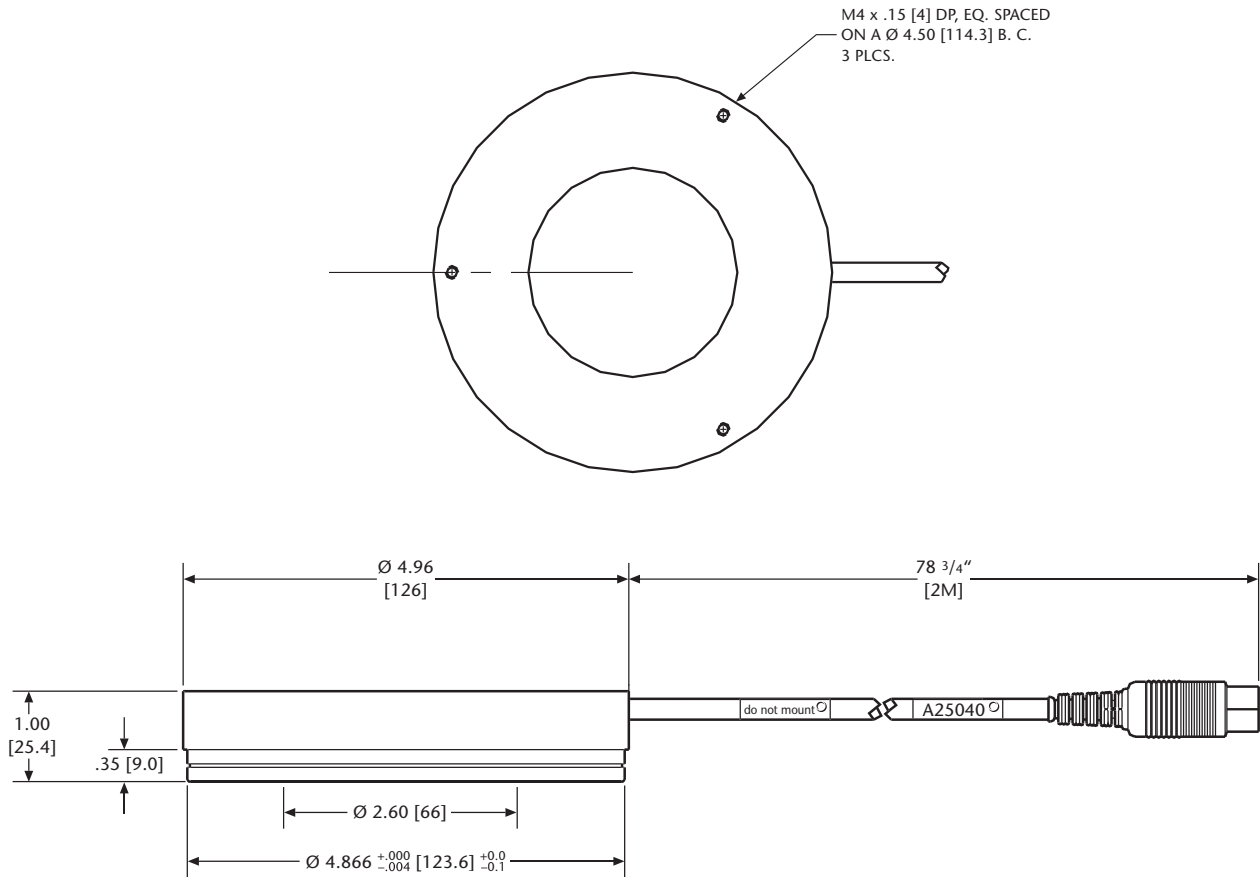
* Lead time required

** Nominal forward current for continuous use

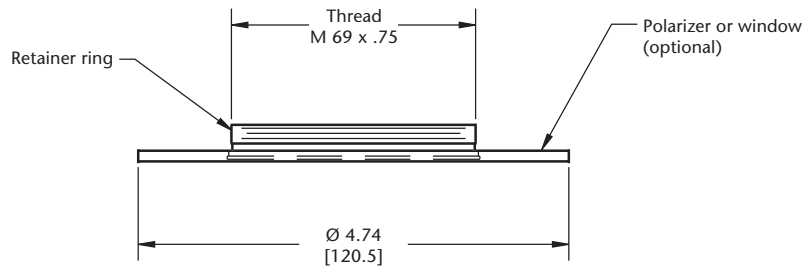
SCHOTT

LED Ringlight

TECHNICAL SPECIFICATIONS



LED Ringlight, A25040



LED Ringlight, Polarizer and Window, A25041/A25043