



Flashport, P/N 300 100



Combi light guide "Flash", P/N 300 201

Flashport System

- The Flashport converts commercially available flash units with TTL function into an effective flash illumination for stereo-microscopy and macroscopy
- For documentation purposes of fast moving or specimen with weak reflection
- Can be used for incident and transmitted light applications
- Standard color filters and GFP fluorescence filters can be used for effect illumination
- High flash intensity
- Color temperature of approximately 5500 K allows use of daylight films

The Flashport system consists of the following components:

- Cold light source SCHOTT KL 1500 e, KL 1500 LCD, KL 2500 LCD; also ACE® or DCR® III light sources can be used.
The cold light source works as a pilot illumination during set-up.
- Combi lightguide "Flash": two branch light guide, which connects Flashport, cold lights source and illumination light guide
- Illumination light guide to illuminate the target area with the desired illumination technique (ringlight, linelight, gooseneck et al.). Both, light from the pilot cold light source as well as the Flash light is transmitted to the target area.

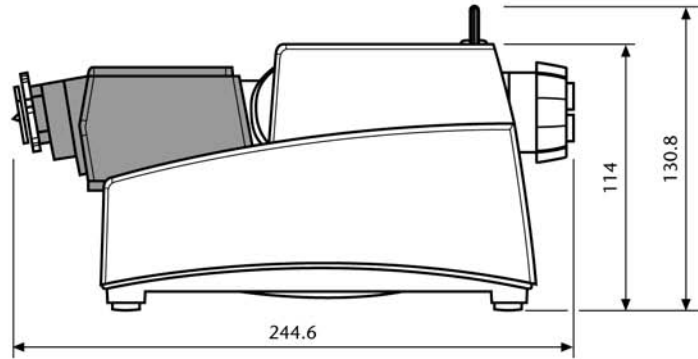
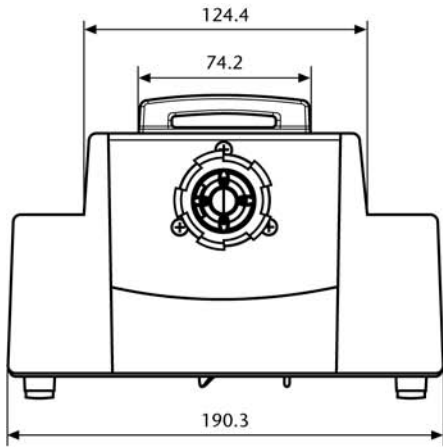
In addition the Flashport requires the following commercially available components from appropriate vendors:

- Microscope and camera equipment with TTL function and SCA adapter
- Mecablitz 54 MZ 3 or 44 MZ 2 from the company Metz (worldwide availability)
- Connection cable SCA-adapter/flash and synchronous cable
- Manufactured in the EU.

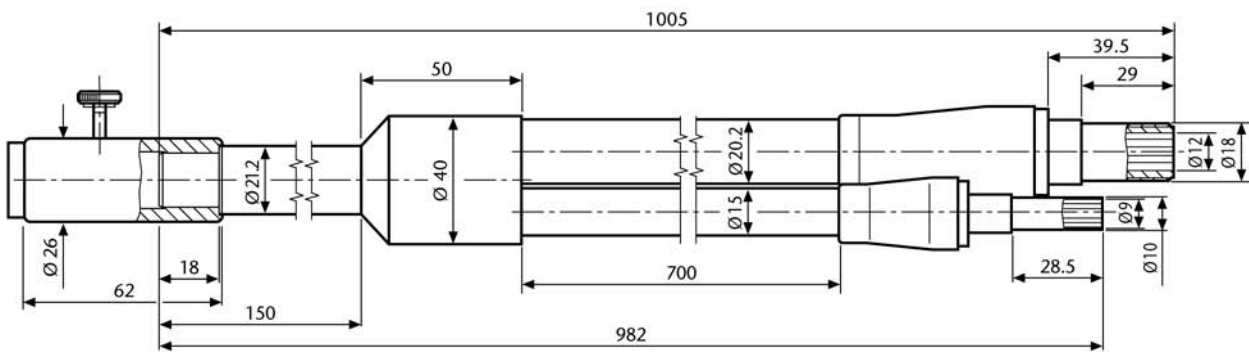
Flashport components

	Part. No.	Length
Flashport unit	300 100	
Combi light guide "Flash"	300 201	700 mm
Cold light sources KL 1500 LCD, KL 2500 LCD, ACE®, DCR® III see respective data sheets		
Color filters for cold light sources see data sheet 17.50.03		

Flashport



Flashport



Combi light guide "Flash"