



Annular ringlight Jumbo 66 mm

## Jumbo Ringlights

### Features:

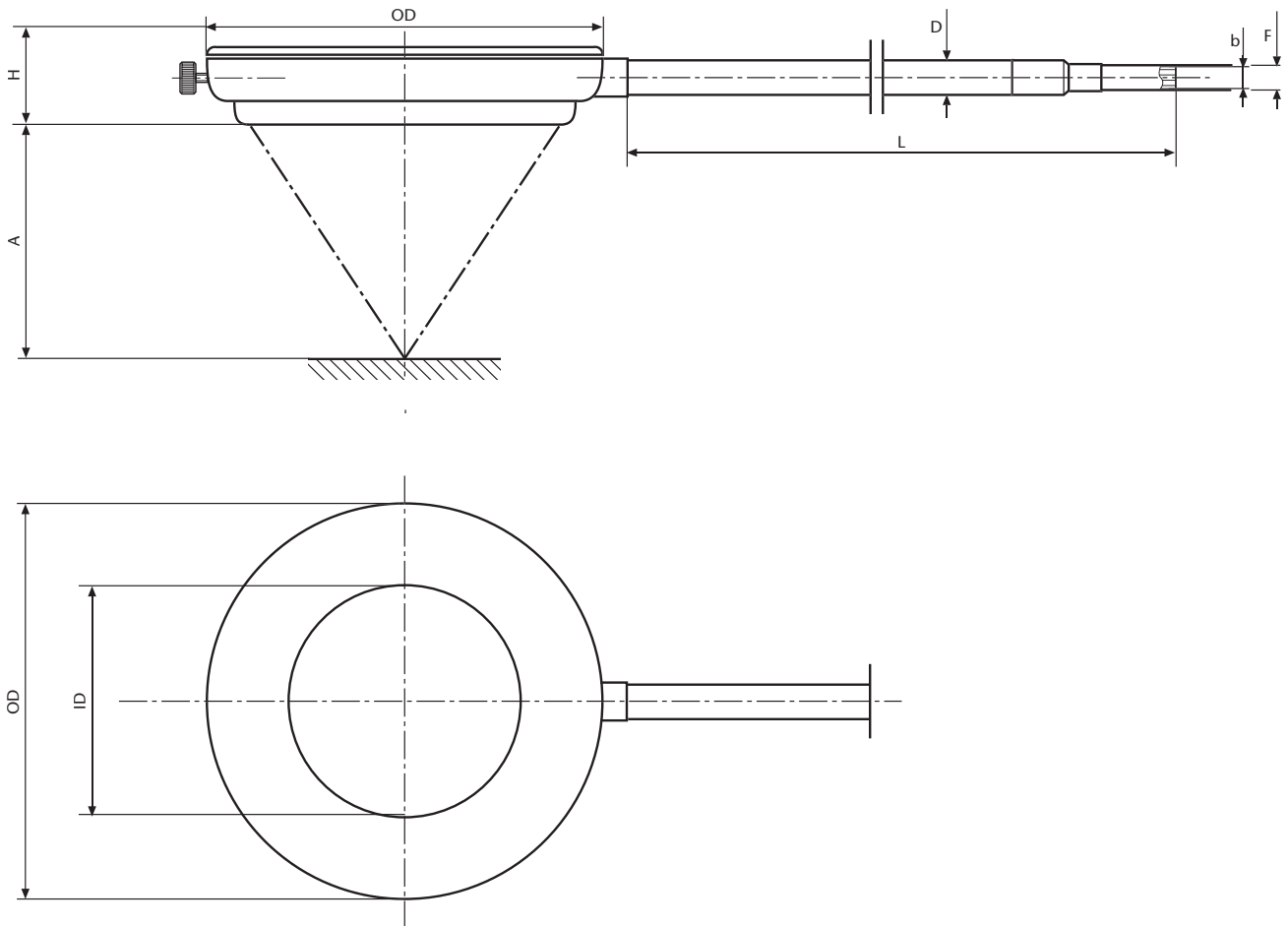
- Continuous ring of illumination fiber within the housing.
- Active diameter of the bundle is using the entire focal diameter of the 250 watt halogen bulb.
- Mounts directly to 66 mm objective by means of thumb screw.
- Housing made of rugged, black anodized aluminium.
- Fiber bundle protected with flexible metal PVC sheathing.
- Manufactured in the EU.

### Benefits:

- Absolute shadow-free illumination for large area targets (i.e. SMD).
- The Jumbo Ringlight in connection with the KL 2500 LCD delivers 300% more light as the standard ringlight with KL 1500 LCD.
- Large area fluorescence illumination.

Jumbo Ringlights										
Cold light source	Part-No.	Type	Length	Inner Ø	Outer Ø	Height	Working distance	Active Ø/ branch	Outer Ø Jacketing	Light source adapter Ø
			L	ID	OD	H	A	b	D	F
KL 2500 LCD only	257 420	Slit 66 mm Ø	1000 mm 43.48 inch	66 mm 2.60 inch	120 mm 4.72 inch	36 mm 1.44 inch	~ 30– mm ~ 1.18– inch	12 mm 0.47 inch	20 mm 0.80 inch	17 mm 0.67 inch

# Jumbo Ringlights



SCHOTT