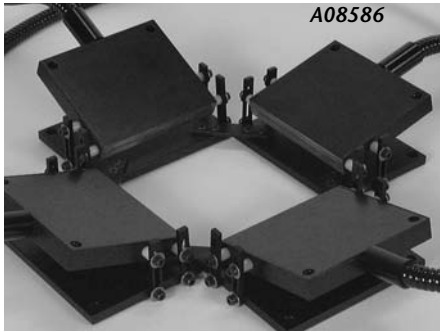


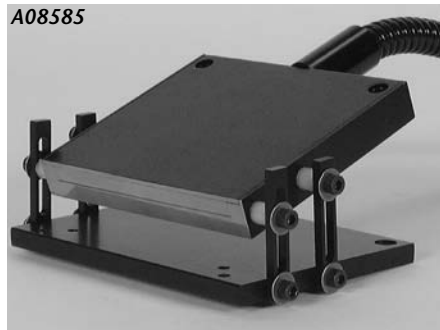


Lightlines Support Apparatus

For accurate positioning in both industrial and laboratory environments.



Quad Lightline Holder, A08586



Single Lightline Holder, A08585



3" Lightline, A08903, with Holder, A08901, supported by an articulated arm, A08506, and base, A08507



Lightline Holder, A08901

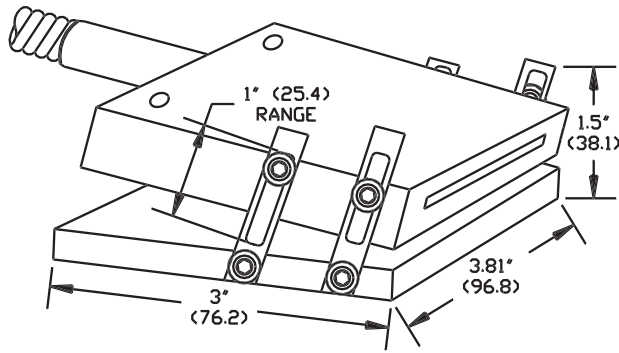
Support Apparatus

Part No.	Description
A08585	Single Lightline holder for dual 3" (76) lightline, A08580. Mounting holes are .26" (6.6).
A08586	Quad Lightline holder for quad lightline, A08584. Overall plate size is 10" x 10" (254 x 254) with a 4" x 4" (101.6 x 101.6) opening. Mounting holes are .26" (6.6) diameter.
A08901	Lightline holder with M6 thread. Will support 3" (76) to 10" (254) single lightlines when attached to an articulated arm and base.

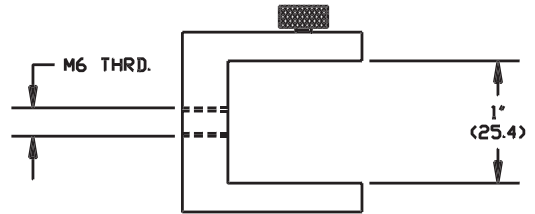
Lightline Support Apparatus

Dimensions in () are in mm

A08585
Single Holder



A08901
Holder



A08586
Quad Holder

