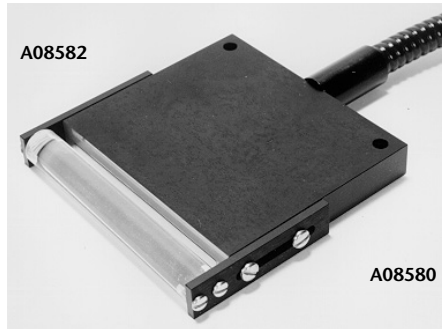


Cylindrical and apertured lenses, A08806 & A08826



3" (76 mm) Lightline with A08582 Cylindrical Lens

Lightline Lenses

Cylindrical and apertured lenses for 1" to 16" lightlines.

Features

- Cylindrical and apertured lenses are available as standard products for most lightline models. They can be custom made for all models.
- Cylindrical lens attachments are designed to collect light exiting the lightline to increase intensity up to a factor of 10.
- Apertured lens attachments are designed to project a more collimated line of light, not to increase light intensity.
- The lenses are adjustable and easily attach to **SCHOTT** lightlines.
- Most lenses are in stock and ready to ship.
- Manufactured in the USA.

LIGHTLINES

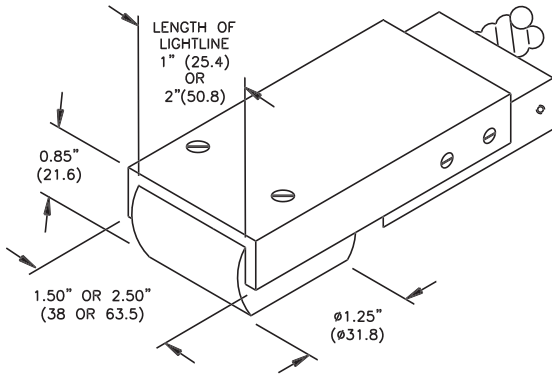
Lenses and Polarizer Kits		
Lightline Part No.	Lens Part No.	
	Cylindrical	Apertured
1", 2", & 3" Lightlines		
A08579	A08571	A08573
A08580	A08582	Custom
A08583	A08572	A08574
A08584	A08572	Custom
A08588	A08571	A08573
A08589	A08572	A08574
3" to 16" Continuous Lightlines		
A08903	A08823	A08803
A08904	A08824	A08804
A08905	A08825	A08805
A08906	A08826	A08806
A08907*	A08827*	A08807*
A08908	A08828	A08808
A08909*	A08829*	A08809*
A08910	A08830	A08810
A08911*	A08831*	A08811*
A08912	A08832	A08812
A08913*	A08833*	A08813*
A08914	A08834	A08814
A08915*	A08835*	A08815*
A08916	A08836	A08816
A08975	A08826	A08806
24" to 40" Continuous Lightlines		
A08940	A08860	Custom
A08964	A08864	Custom
45 Degree Lightline		
A24006	Custom	Custom

*Lead time required.

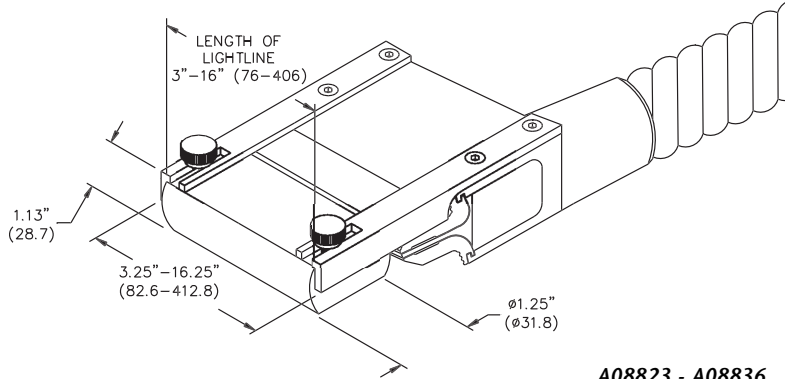
Lightline Lenses

Dimensions in () are in mm

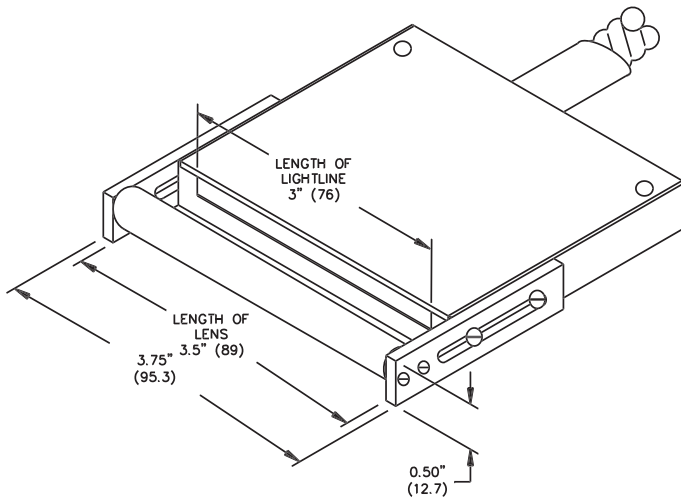
TECHNICAL SPECIFICATIONS



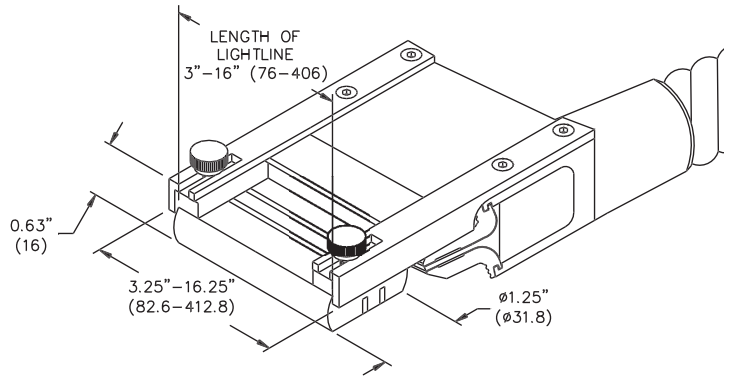
A08571 - A08574
Cylindrical and Apertured Lenses



A08823 - A08836
Cylindrical Lenses



A08582
Cylindrical Lens



A08803 - A08816
Apertured Lenses